



BELAIR

BRAVO



MARCH 2026

Table of Contents

Line Information 4

Overview | Warranty | Environmental Statement | Finishes

Desks 8

Straight Desk Shells.....	9	Extended Corner Desk Tops	20
Bowfront Desk Shells	12	Metal Base Desks.....	22
Connecting Desk Shells.....	13	Modesties	23
Corner Desk Shells	16	Islands	25
Extended Corner Desk Shells.....	17	Standing Height Desk Shells	29

Desk Extensions 31

Straight Return Shells.....	32	Connecting Tops	36
Notched Return Shells.....	34	Bridge Shells	37
Metal Leg Returns	35		

Pedestals 38

Floor Pedestals.....	39	Mobile Pedestals.....	46
Pedestal Tops	41	Acoustic Topper.....	49
Hanging Pedestals.....	42		

Storage 50

Combo Laterals	51	Combo Wardrobes.....	76
Laterals.....	53	Personal Wardrobes.....	78
Open Storage	60	Personal Storage.....	80
Storage Cabinets.....	65	Storage Tops.....	81
Combo Cabinets.....	72	Storage Tops Notched	82
Wardrobes	74		

Lockers 83

1 Tier with Laminate Base	85	4 Tier with Laminate Base.....	95
2 Tier with Laminate Base.....	91	S-Shape with Laminate Base.....	97
3 Tier with Laminate Base	93	Angled Toppers	99

Hutches 100

Surface Mount Hutches.....	101	Storage Mount Hutches	109
Wallmount Hutches	105		

Conference Tables 111

Table Tops	112	Table Bases	115
------------------	-----	-------------------	-----

Tables 122

Collab Tables	123	Bases	132
Tops	124		

Wellness 141

2-Leg Lift Base	142	3-Leg Lift Base	143
-----------------------	-----	-----------------------	-----

Accessories 144

Desk Toppers	145	Wire Management	149
In-Unit Organizers	148		

Privacy Panels 154

Desk Mounted Frost Panels	155	Hardware.....	158
---------------------------------	-----	---------------	-----

Quick Ship 159

Desks	160	Storage.....	160
Desk Extensions	160	Pedestals	160
Tops	160		

Packages 161

L-Shapes	162	Executive.....	169
U-Shapes.....	167		

Welcome Centres 170

W-01S	171	W-03.....	186
W-01.....	174	W-04S.....	189
W-02	178	W-04	193
W-02A.....	182	W-05.....	198

Refresh 203

Upper Cabinets.....	205	Kick Panels.....	225
Lower Cabinets.....	212	Fillers	226
Countertops.....	224		

Bravo Information

OVERVIEW

Bravo is a simple casegood line that supports a variety of workspace environments. Proudly made in Canada, we guarantee quality. Our product features include:

- Thermally fused laminate board
- A large variety of finishes
- 1" thick worksurfaces and end gables
- Durable 2mm edging
- All drawers equipped with smooth-running full suspension tracks
- File drawers that can accommodate letter or legal size filing
- Locks on most drawers & doors
- Brushed Satin Nickel square handles come standard, other options are available. (See page 7)
- Grommets come standard on select products

SPECIFYING FINISHES

To specify colours, mark your order as follows:

For one finish colour, select which colour and state it on your order in it's short form listed on the Finishes page. (i.e. SA for Sable Island)

For two-tone finish colours, select which two colours and show them on your order in their short form listed above. The first colour listed represents the top and fronts of an item, while the second colour represents the body of that item (i.e. TXCP for an item with Tuxedo top & fronts, with Coastal Pear body). For items more complex or a combination different from this standard, please specify on your order. Belair may ask for a drawing to clarify.

Handles: Brushed Satin Nickel square handles come standard on all Bravo products unless specified otherwise. All other available handle types can be used at no additional charge when specified. (see HANDLE OPTIONS on page 7)

CUSTOMIZATION

For customization of any product, please connect with our customer service team. We are happy to put together pricing for products to meet your specific needs.

QUICK SHIP PROGRAM

Select items are available for Quick Ship in all of Belair's standard colours and are available to ship in ten business days. Please refer to the Quick Ship page for available units.

Quick Ship items can be purchased up to **5** per item. If you have Quick Ship items and standard lead time items on the same order then the lead time will be based on the standard items.

ASSEMBLY

All products are shipped assembled unless otherwise specified or they are requested to be shipped unassembled. Quick Ship items are shipped ready to assemble. Refer to the Quick Ship Reference Guide.

Specific items in this line come ready for Transaction panels pairing. Inquire with our Customer Service team with any questions.

ORDER INFORMATION

Cancellations | Will not be accepted on orders with material already put into production. No cancellations will be accepted on special orders.

Special Orders | A detailed purchase order and drawing must accompany all special orders. Information on drawings and order must include finish colour and dimensions.

Returns | None will be accepted without prior written authorization. There are no refunds on special orders.

Credit Terms | C.O.D. unless credit has been established. All merchandise will be invoiced at the time of shipment and payment is due 10 days following the date of the invoice.

Order Specifications | All purchases must be confirmed in writing and must specify model numbers and finishes. Belair Office Products will not be responsible for errors made by the purchaser. Belair Office Products reserves the right to make improvements and changes in design, material and packaging without notice.

WARRANTY STATEMENT

**Committed to quality.
We stand behind our product 100%**

Belair warrants the original purchaser against any form of failure or defect in construction or component for 10 years from the date of shipment. Select items by Belair offer different warranties and are specified below.

The buyer shall inspect all products for defects of workmanship immediately upon receipt. Apparent damage caused during shipment shall be brought to the attention of the shipper for warranty by their Carrier Insurance. Warranty claims related to defects in workmanship shall be submitted to Belair within 30 days of the day of delivery.

In all circumstances each Warranty Claim shall be submitted in writing to Belair and shall contain sufficient detail to permit the Company to identify the defect of the warranted product that is the subject of the Claim (including, without limitation, the original invoices). The Buyer shall afford Belair or its agents the opportunity to inspect the Warranted Product that is the subject of the Claim. Belair, at its option, will repair or replace the defective product. This warranty does not cover

product deterioration due to normal wear and tear. Clear signs of abuse such as but not limited to impact damage, exposure to flame or adverse environmental conditions, submersion or exposure to fluids or customer customization void this warranty.

Belair accepts responsibility which extends only to the replacement of the furniture component. It is the purchasers responsibility to pay for transportation and/or installation costs.

Our commitment to high quality components and raw materials results in long lasting product that maintains its looks and functionality throughout it's lifetime.

Electrical Components Warranty

All electrical components included in products are warrantied for 5 years from the date of shipment.

ENVIRONMENTAL STATEMENT

Respect for our environment has been a long held value at Belair.

Our commitment to high quality components and raw materials results in long lasting product that maintains its looks and functionality throughout it's lifetime.

Over our history, we have consistently worked to reduce the amount of scrap and waste from our processes. Wherever possible, damaged or blemished product has been cut down into usable components. In addition, we have been able to offer our distribution system a limited line of factory second product which will have only minor imperfections that do not interfere with the functionality of the product.

Our plant and offices actively recycle paper, glass, plastic, aluminum and other metals. Additionally we continue to seek ways to reduce the amount of paper consumed within our organization, moving to electronic format where possible.

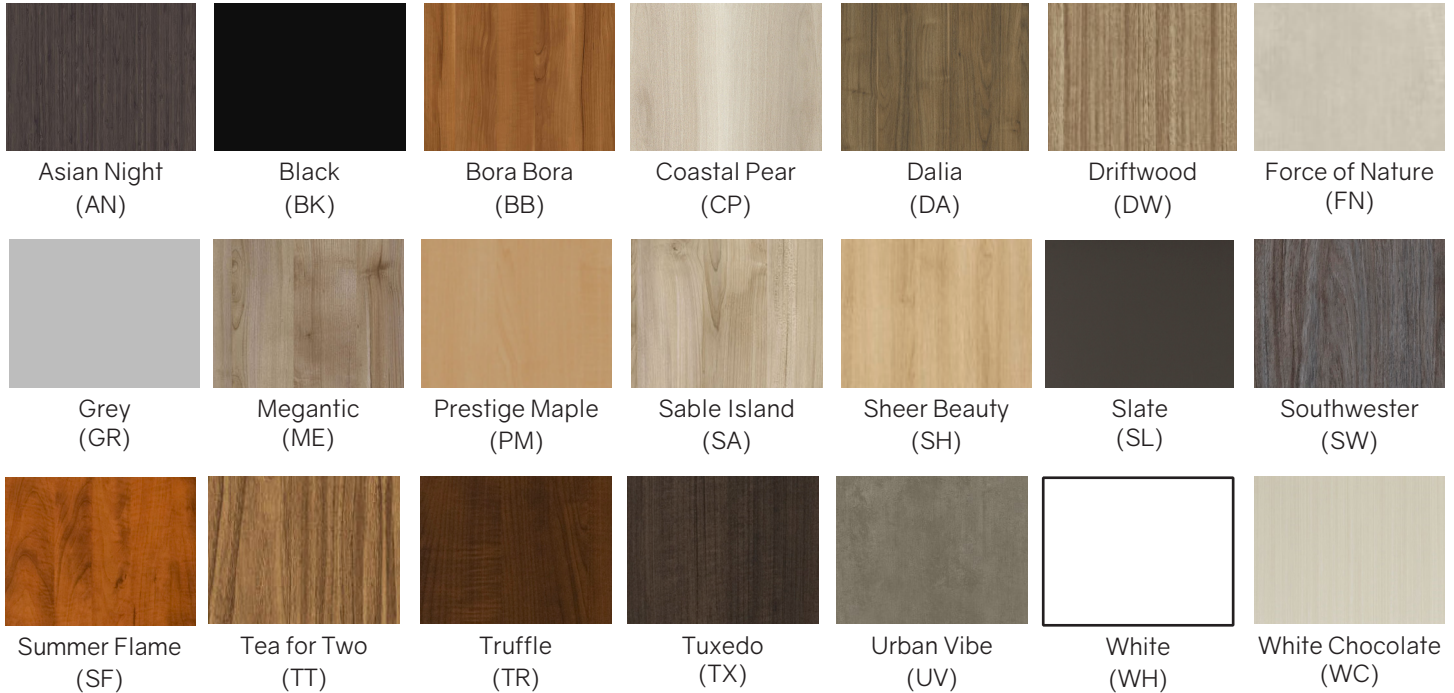
We work to minimize the packaging materials that are used for individual orders, and all materials used in our packaging process are fully recyclable.

Our lumber suppliers are also committed to sustainability and minimizing their impact upon the environment, meeting and exceeding government standards. The thermally fused laminate board we purchase consists of 100% recycled product.

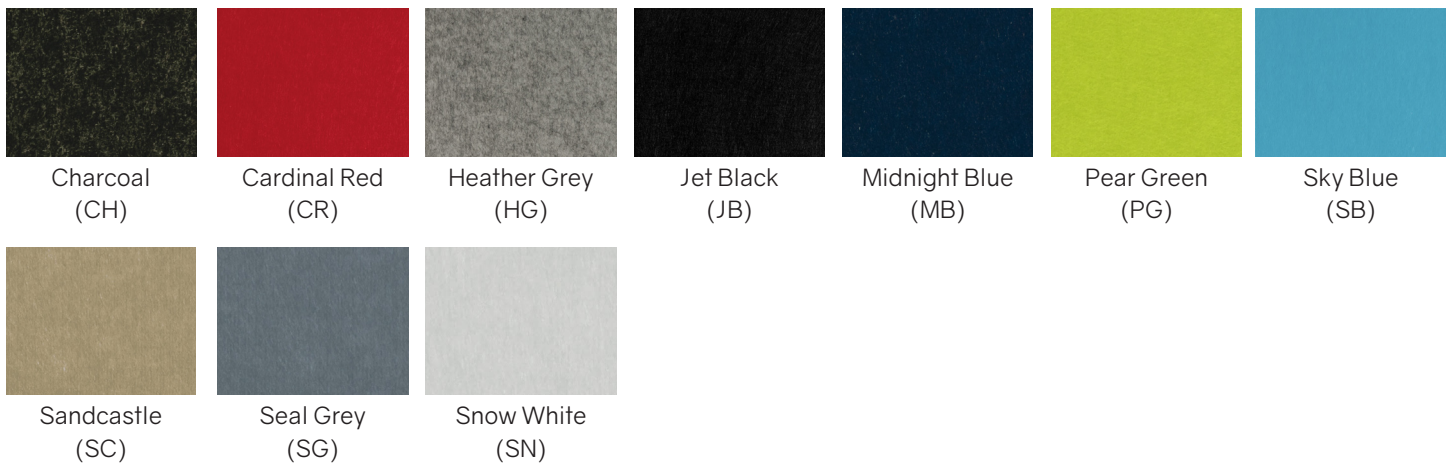
PRICING

All product pricing is shown in Canadian dollars and is subject to change without notice.

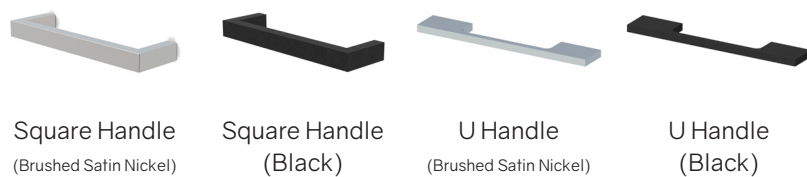
LAMINATE FINISHES



ACOUSTIC FINISHES



HANDLE OPTIONS

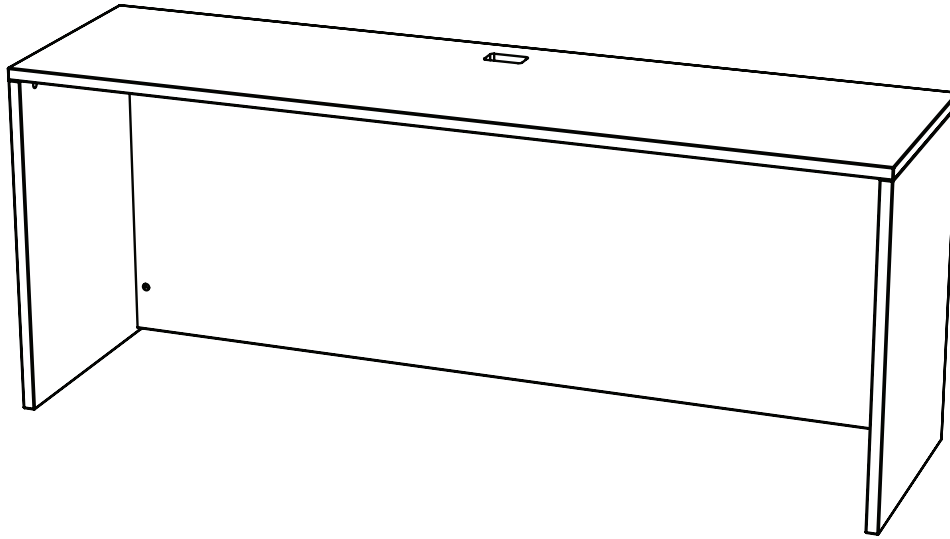


Note that colours for acoustic finishes can vary by order based on dye lots
Brushed Satin Nickel square handles will be included with units if no other option is specified on your order

Desks

Desks

► Straight Desk Shells 20" Deep



Product Code	Dimensions			List Price
	D	W	H	
BD2060	20	60	29	\$ 631
BD2066	20	66	29	\$ 667
BD2072	20	72	29	\$ 700

About this product

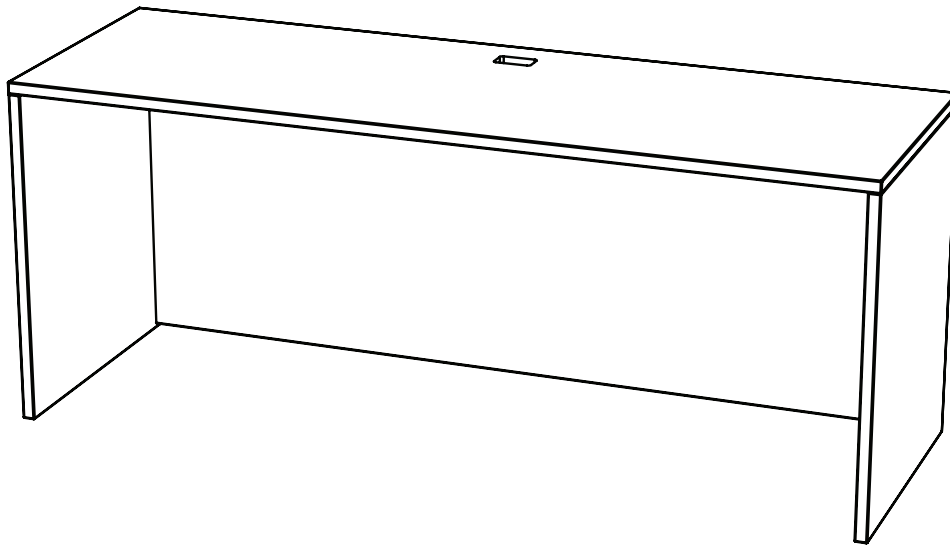
- Flush modesty
- One grommet for power access
- 3/4 Modesty, add suffix "SM" to end code
- Data Modesty, add suffix "DM" to end of code
- Shipped assembled

Code Matrix

Identification	Category	Dimensions
Bravo B	Desk D	Depth x Width 20 x 60
┌───────────────────────────────────┐		
BD2060 ───────────────────────────┘		

Desks

► Straight Desk Shells 24" Deep



Product Code	Dimensions			List Price
	D	W	H	
BD2436	24	36	29	\$ 555
BD2442	24	42	29	\$ 577
BD2448	24	48	29	\$ 600
BD2454	24	54	29	\$ 622
BD2460	24	60	29	\$ 652
BD2466	24	66	29	\$ 737
BD2472	24	72	29	\$ 611

About this product

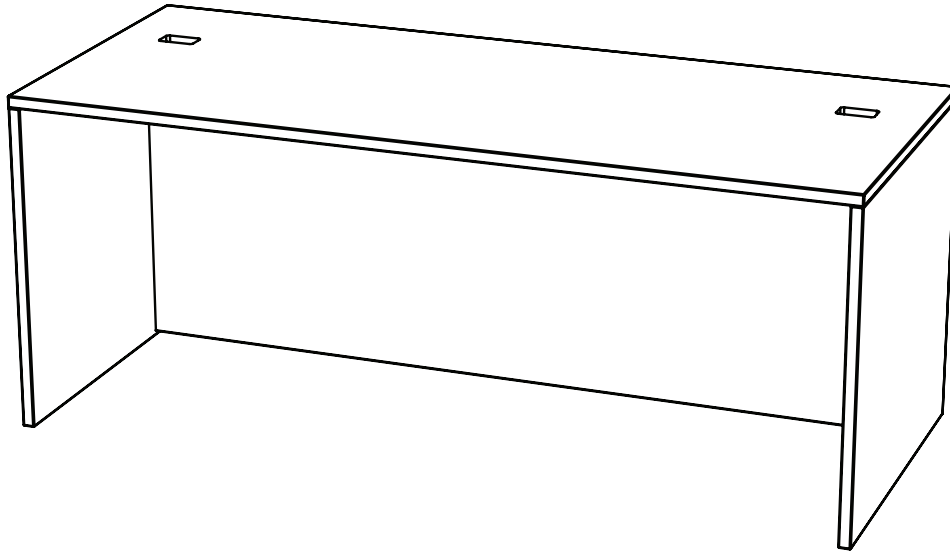
- Flush modesty
- One grommet for power access
- 3/4 Modesty, add suffix "SM" to end code
- Data Modesty, add suffix "DM" to end of code
- Shipped assembled

Code Matrix

Identification	Category	Dimensions
Bravo	Desk	Depth x Width
B	D	24 x 60
┌───────────────────┬───────────────────┐ BD2460 ───────────┘		

Desks

► Straight Desk Shells 30" & 36" Deep



Product Code	Dimensions			List Price
	D	W	H	
BD3048	30	48	29	\$ 680
BD3060	30	60	29	\$ 600
BD3066	30	66	29	\$ 838
BD3072	30	72	29	\$ 749
BD3672	36	72	29	\$ 1035

About this product

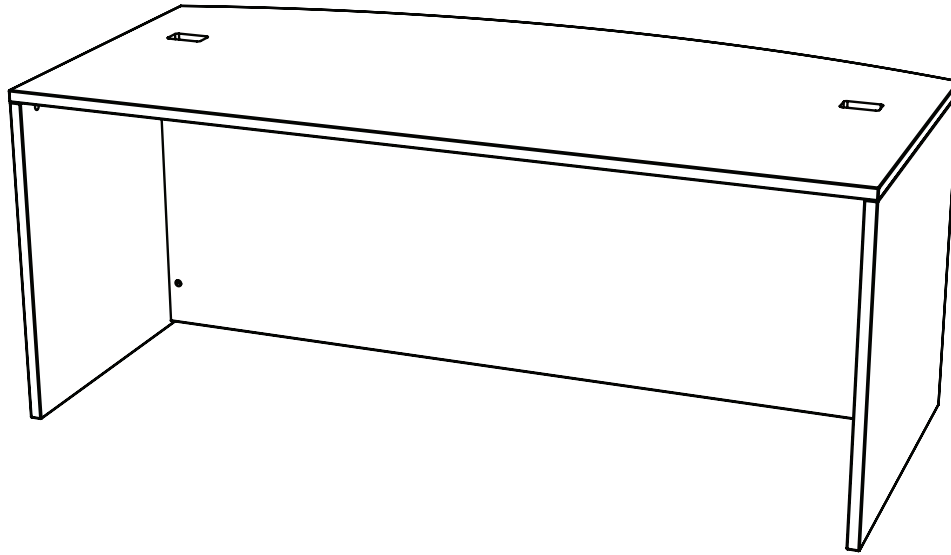
- Inset modesty
- Below 60" widths have one grommet centered at the back, 60" and above have two as pictured
- 3/4 Modesty, add suffix "SM" to end code
- Data Modesty, add suffix "DM" to end of code
- Shipped assembled

Code Matrix

Identification	Category	Dimensions
Bravo B	Desk D	Depth x Width 30 x 60
┌──────────────────────────┴──────────────────────────┐ BD3060		

Desks

▶ Bowfront Desk Shells



Product Code	Dimensions			List Price
	D	W	H	
BDB3666	30/36	66	29	\$ 1100
BDB3672	30/36	72	29	\$ 1150
BDB4272	36/42	72	29	\$ 1027

About this product

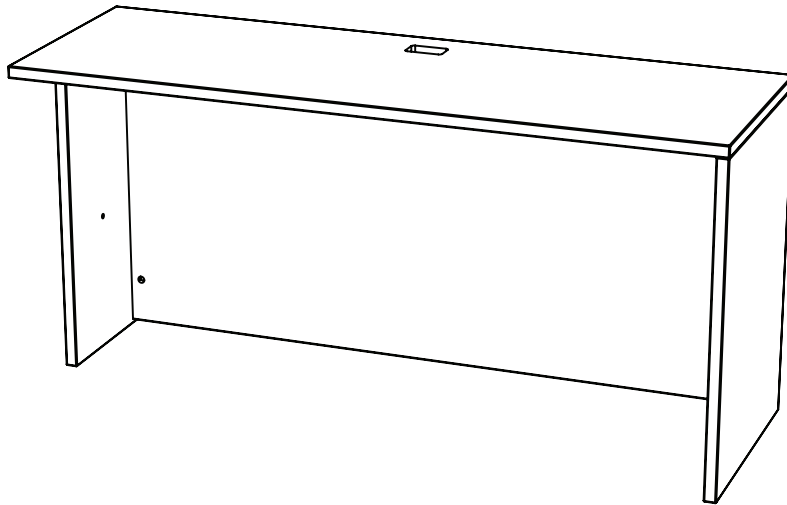
- Inset modesty
- Two grommets for power access
- 3/4 Modesty, add suffix "SM" to end code
- Data Modesty, add suffix "DM" to end of code
- Shipped assembled

Code Matrix

Identification	Category	Item Description	Dimensions
Bravo B	Desk D	Bowfront B	Depth x Width 42 x 72
┌──────────────────┴──────────────────┐ BDB4272 ───────────────────┘			

Desks

▶ Connecting Desk Shells 20" Deep



Product Code	Dimensions			List Price
	D	W	H	
BD2060C_	20	60	29	\$ 631
BD2066C_	20	66	29	\$ 667
BD2072C_	20	72	29	\$ 700

* Specify L, R, or B for connecting left, right or both sides in the space of the code above when placing your order
image above is connecting to the left ("L")

About this product

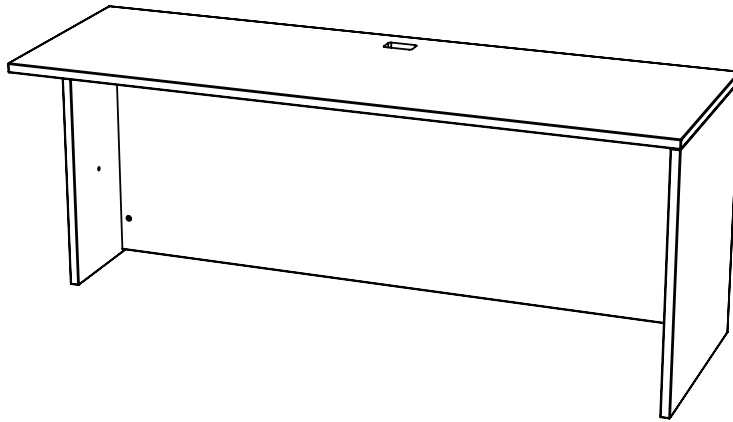
- Flush modesty
- One centered grommet for power access
- 3/4 Modesty, add suffix "SM" to end code
- Data Modesty, add suffix "DM" to end of code
- Shipped assembled

Code Matrix

Identification	Category	Dimensions	Suffix
Bravo B	Desk D	Depth x Width 20 x 60	Connect Left / Right / Both C (L / R / B)
<div style="display: flex; justify-content: space-between; align-items: center;"> </div>			

Desks

▶ Connecting Desk Shells 24" Deep



Product Code	Dimensions			List Price
	D	W	H	
BD2424C_	24	24	29	\$ 511
BD2430C_	24	30	29	\$ 519
BD2432C_	24	32	29	\$ 534
BD2436C_	24	36	29	\$ 555
BD2442C_	24	42	29	\$ 577
BD2448C_	24	48	29	\$ 600
BD2454C_	24	54	29	\$ 622
BD2460C_	24	60	29	\$ 652
BD2466C_	24	66	29	\$ 737
BD2472C_	24	72	29	\$ 611

* Specify L, R, or B for connecting left, right or both sides in the space of the code above when placing your order
image above is connecting to the left ("L")

About this product

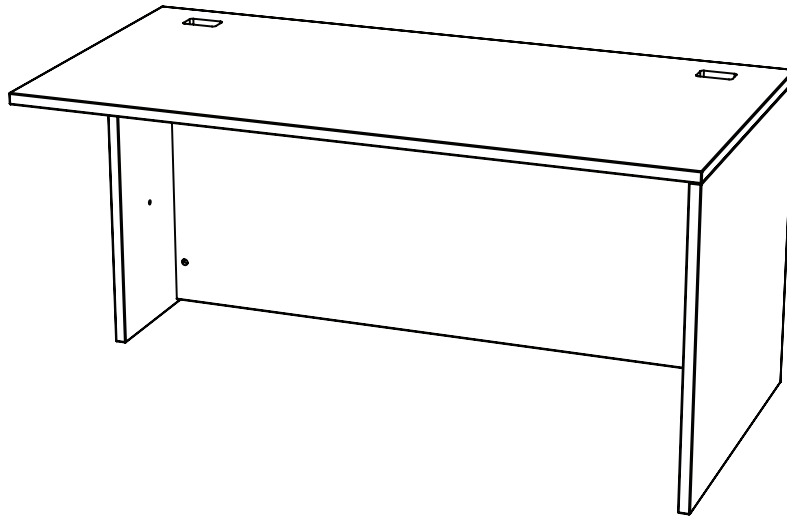
- Flush modesty
- One centered grommet for power access
- 3/4 Modesty, add suffix "SM" to end code
- Data Modesty, add suffix "DM" to end of code
- Shipped assembled

Code Matrix

Identification	Category	Dimensions	Suffix
Bravo B	Desk D	Depth x Width 24 x 60	Connect Left / Right / Both C (L / R / B)
BD2460CL			

Desks

▶ Connecting Desk Shells 30" Deep



Product Code	Dimensions			List Price
	D	W	H	
BD3042C_	30	42	29	\$ 633
BD3048C_	30	48	29	\$ 680
BD3054C_	30	54	29	\$ 715
BD3060C_	30	60	29	\$ 600

* Specify L, R, or B for connecting left, right or both sides in the space of the code above when placing your order
image above is connecting to the left ("L")

About this product

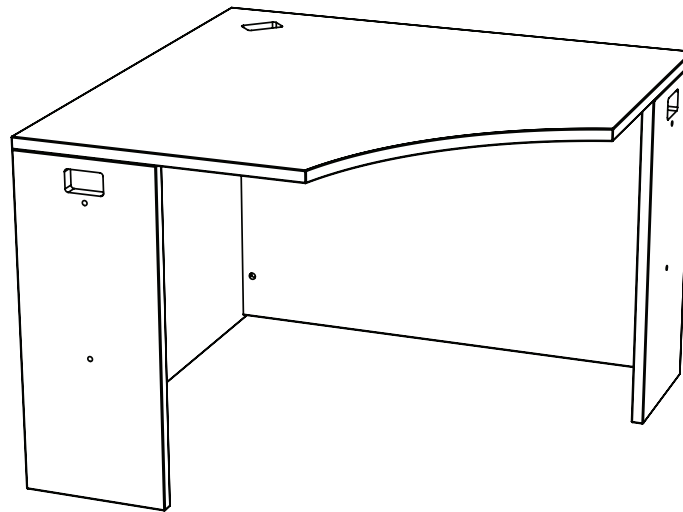
- Inset modesty
- Below 60" widths have one grommet centered at the back, 60" and above have two as pictured
- 3/4 Modesty, add suffix "SM" to end code
- Data Modesty, add suffix "DM" to end of code
- Shipped assembled

Code Matrix

Identification	Category	Dimensions	Suffix
Bravo	Desk	Depth x Width	Connect Left / Right / Both
B	D	30 x 60	C (L / R / B)
┌──────────────────┴──────────────────┬──────────────────┴──────────────────┐			
BD3060CL			

Desks

▶ Corner Desk Shells



Product Code	Dimensions				List Price
	D	W	H	Connect	
BDC3636CB	36	36	29	24	\$ 776
BDC4242CB	42	42	29	24	\$ 817

About this product

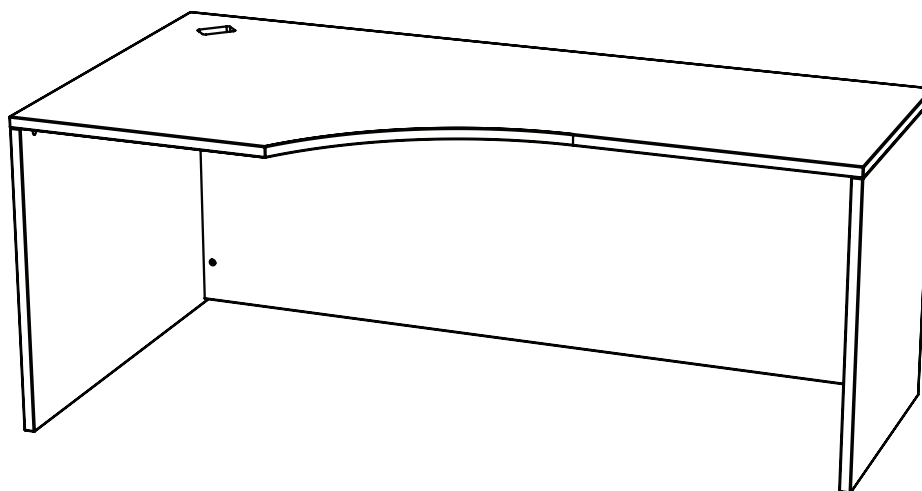
- Full flush modesty
- One grommet centered in the back corner for power access
- Shipped assembled

Code Matrix

Identification	Category	Item Description	Dimensions	Suffix
Bravo	Desk	Corner	Depth x Width	Connect Both
B	D	C	36 x 36	CB
BDC3636CB				

Desks

▶ Extended Corner Desk Shells Straight



Product Code	Dimensions				List Price
	D	W	H	Connect	
BDE3660_20	24/36	60	29	20	\$ 803
BDE3660_24	24/36	60	29	24	\$ 803
BDE3666_24	24/36	66	29	24	\$ 845
BDE3672_24	24/36	72	29	24	\$ 854
BDE4066_24	30/40	66	29	24	\$ 1230
BDE4072_24	30/40	72	29	24	\$ 1325

* Specify "L" or "R" for left or right in the space of the code above when placing your order
image above is a right hand unit ("R")

About this product

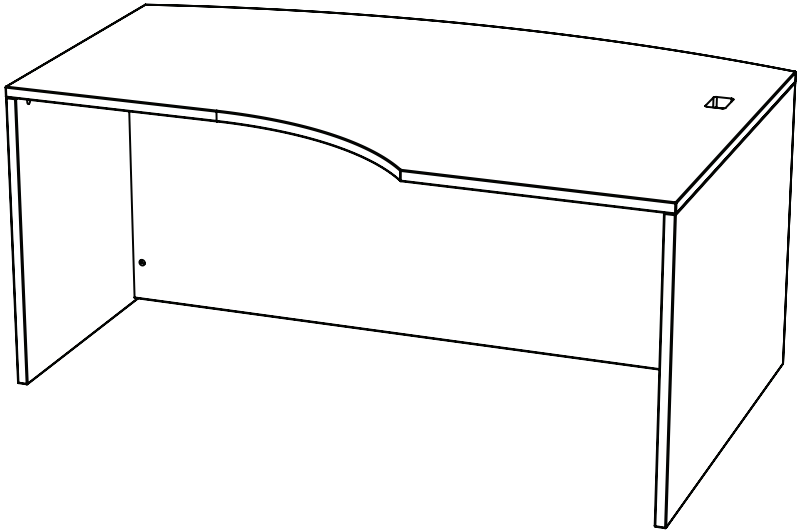
- Flush modesty on 36" depths, inset modesty on 40" depths
- One grommet in the back corner for power access
- 3/4 Modesty, add suffix "SM" to end code
- Data Modesty, add suffix "DM" to end of code
- Shipped assembled

Code Matrix

Identification	Category	Item Description	Dimensions	Hand	Connect
Bravo	Desk	Extended Corner	Depth x Width	Left/Right	Depth
B	D	E	36 x 72	L/R	24
----- ----- ----- ----- ----- -----					
----- ----- ----- ----- ----- -----					
----- ----- ----- ----- ----- -----					
----- ----- ----- ----- ----- -----					

Desks

Extended Corner Desk Shells Bowfront



Product Code	Dimensions				List Price
	D	W	H	Connect	
BDEB4566_24	30/45	66	29	24	\$ 1430
BDEB4572_24	30/45	72	29	24	\$ 1493

* Specify "L" or "R" for left or right in the space of the code above when placing your order
image above is a left hand unit ("L")

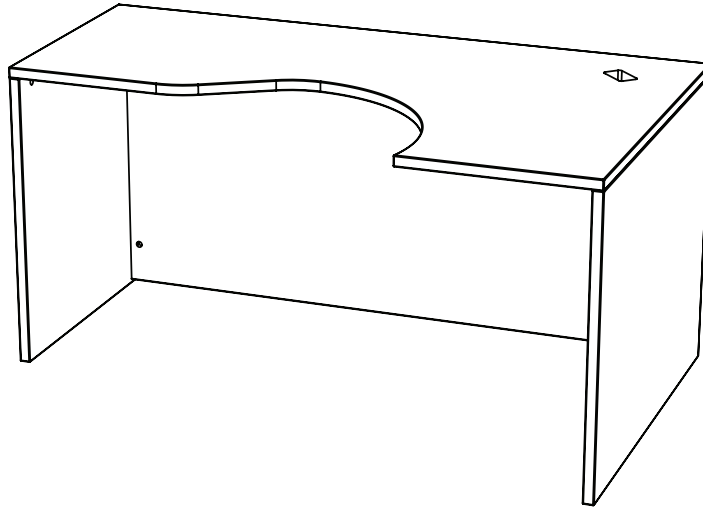
About this product

- Inset modesty
- One grommet in the back corner for power access
- 3/4 Modesty, add suffix "SM" to end code
- Data Modesty, add suffix "DM" to end of code
- Shipped assembled

Code Matrix					
Identification	Category	Item Description	Dimensions	Hand	Connect
Bravo	Desk	Extended Corner Bowfront	Depth x Width	Left	Depth
B	D	EB	45 x 66	L	24
BDEB4566L24					

Desks

▶ Extended Corner Desk Shells Notched



Product Code	Dimensions				List Price
	D	W	H	Connect	
BDEN3660_18	24/36	60	29	18	\$ 891
BDEN3666_18	24/36	66	29	18	\$ 1037
BDEN3672_18	24/36	72	29	18	\$ 1177
BDEN4060_18	30/40	60	29	18	\$ 1091
BDEN4066_18	30/40	66	29	18	\$ 1247
BDEN4072_18	30/40	72	29	18	\$ 1407

* Specify "L" or "R" for left or right in the space of the code above when placing your order
image above is a left hand unit ("L")

About this product

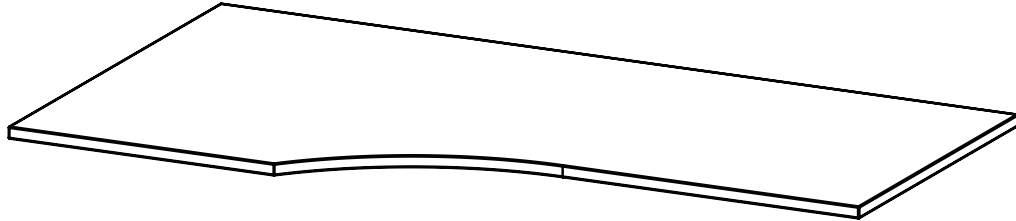
- Flush modesty on 36" depths, inset modesty on 40" depths
- One grommet in the back corner for power access
- 3/4 Modesty, add suffix "SM" to end code
- Data Modesty, add suffix "DM" to end of code
- Shipped assembled

Code Matrix

Identification	Category	Item Description	Dimensions	Hand	Connect
Bravo	Desk	Extended Corner Notched	Depth x Width	Left	Depth
B	D	EN	40 x 60	L	18
 <u>BDEN4060L18</u> 					

Desks

▶ Extended Corner Desk Tops Straight Top Only



Product Code	Dimensions				List Price
	D	W	H	Connect	
BDE3660_20T	24/36	60	1	20	\$ 475
BDE3660_24T	24/36	60	1	24	\$ 475
BDE3666_24T	24/36	66	1	24	\$ 521
BDE3672_24T	24/36	72	1	24	\$ 568
BDE4060_24T	30/40	60	1	24	\$ 521
BDE4066_24T	30/40	66	1	24	\$ 572
BDE4072_24T	30/40	72	1	24	\$ 622

* Specify "L" or "R" for left or right in the space of the code above when placing your order
image above is a right hand unit ("R")

About this product

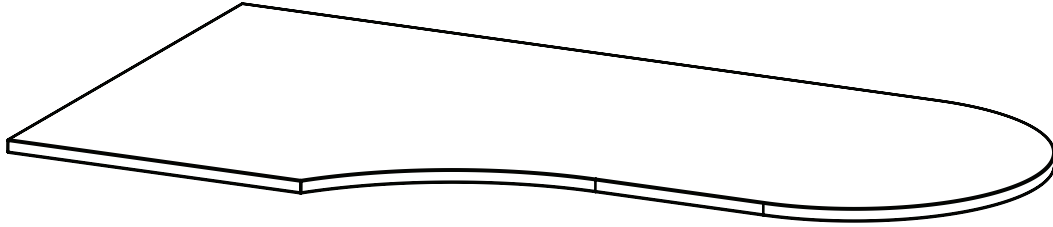
- No grommet installed for flexibility of base installation
- To add a corner grommet at no extra charge, add "-GM" to the end of the code

Code Matrix

Identification	Category	Item Description	Dimensions	Hand	Connect	Suffix
Bravo	Desk	Extended Corner	Depth x Width	Left	Depth	Top Only
B	D	E	40 x 72	R	24	T
----- ----- ----- ----- ----- -----						
BDE4072R24T						
----- ----- ----- ----- ----- -----						

Desks

Extended Corners Desk Tops J-Shape Top Only



Product Code	Dimensions				List Price
	D	W	H	Connect	
BDEJ3666_24T	24/36	66	1	24	\$ 595
BDEJ3672_24T	24/36	72	1	24	\$ 647
BDEJ4066_24T	30/40	66	1	24	\$ 652
BDEJ4072_24T	30/40	72	1	24	\$ 710

* Specify "L" or "R" for left or right in the space of the code above when placing your order
image above is a right hand unit ("R")

About this product

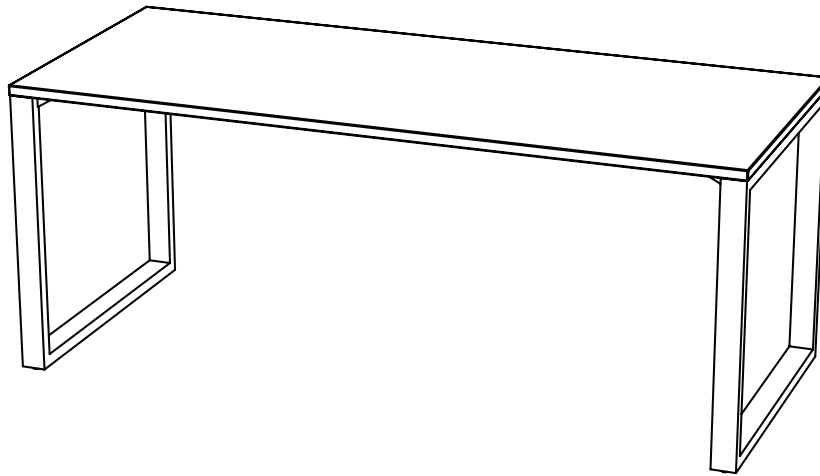
- No grommet installed for flexibility of base installation
- To add a corner grommet at no extra charge, add "-GM" to the end of the code

Code Matrix

Identification	Category	Item Description	Dimensions	Hand	Connect	Suffix
Bravo	Desk	Extended Corner J-Shape	Depth x Width	Left	Depth	Top Only
B	D	EJ	40 x 72	R	24	T
BDEJ4072R24T						

Desks

► Metal Base Desks



Product Code	Dimensions			List Price
	D	W	H	
BD2448OL	24	48	29	\$ 653
BD2460OL	24	60	29	\$ 724
BD2466OL	24	66	29	\$ 748
BD2472OL	24	72	29	\$ 784
BD3048OL	30	48	29	\$ 735
BD3060OL	30	60	29	\$ 790
BD3066OL	30	66	29	\$ 824
BD3072OL	30	72	29	\$ 863

* Specify o-leg colour (grey or black) on your order. If no colour is specified, grey will be shipped.

About this product

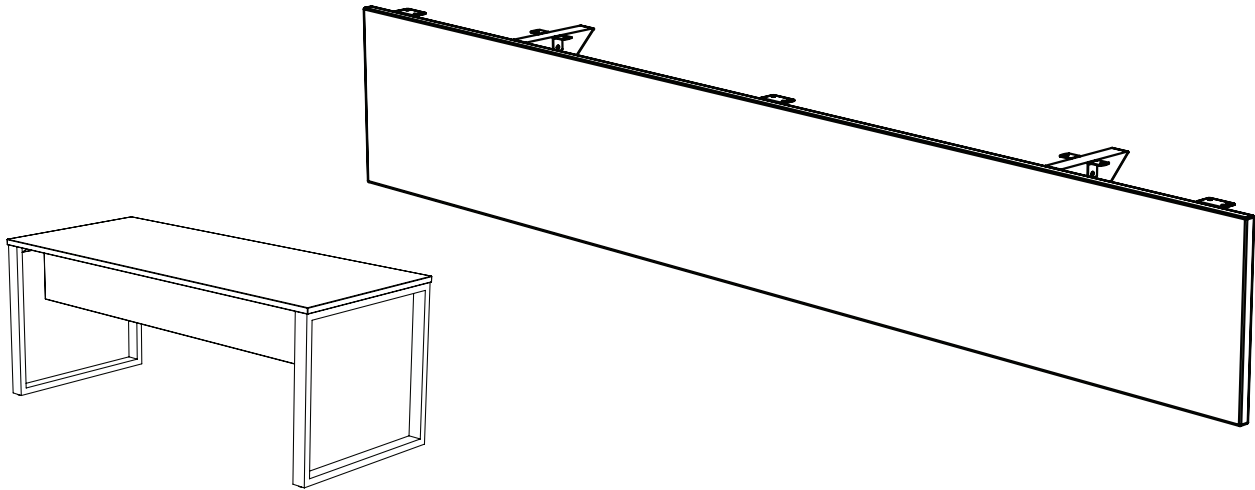
- Straight worksurface with two metal o-legs and one stiffener bar
- To add a centered grommet (no extra charge), add "-GM" to the end of the code
- Clearance between legs is 5" less than the overall width
- This product is invoiced as two separate codes; BD_ _ _ _ T (top) BD_ _ _ _ OLBASE (base)
- Shipped ready to assemble

Code Matrix

Identification	Category	Dimensions	Suffix
Bravo	Desk	Depth x Width	O-Leg
B	D	24 x 48	OL
┌──────────┴──────────┬──────────┴──────────┬──────────┴──────────┬──────────┴──────────┐ BD2448OL			

Desks

► Modesties Data



Product Code	Dimensions			List Price
	D	W	H	
BDM48D	5/8	41	10	\$ 202
BDM60D	5/8	53	10	\$ 217
BDM66D	5/8	59	10	\$ 221
BDM72D	5/8	63	10	\$ 229

About this product

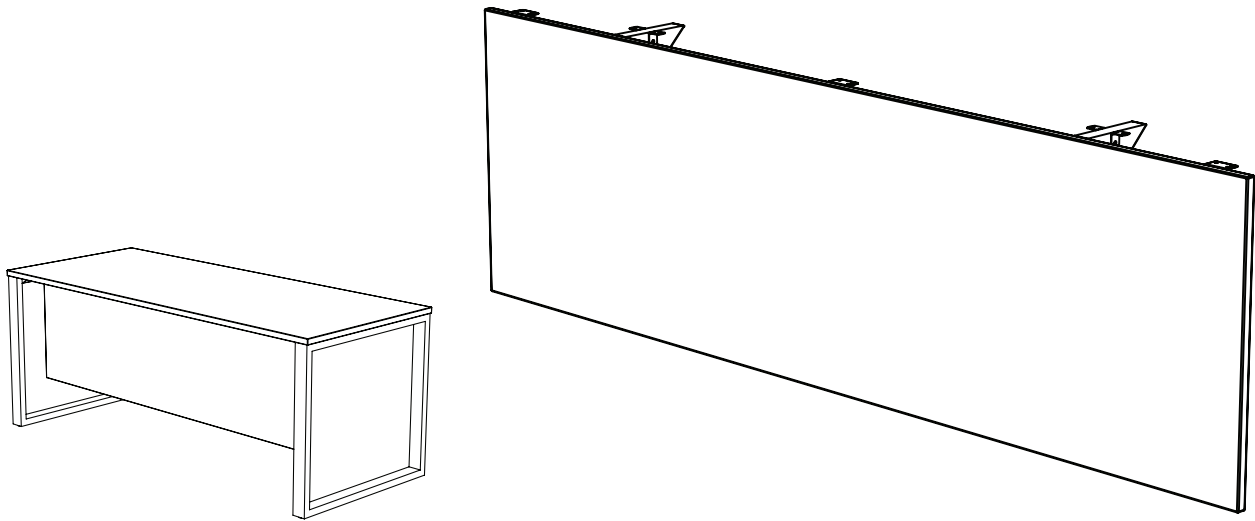
- Attached to top with laminate triangles and brackets
- Flexible placement, inset or flush to the front
- Shipped ready to assemble

Code Matrix

Identification	Category	Item Description	Dimensions	Suffix
Bravo	Desk	Modesty	Width (of desk)	Data Modesty
B	D	M	48	D
-----		BDM48D	-----	

Desks

► Modesties Short (3/4)



Product Code	Dimensions			List Price
	D	W	H	
BDM48S	5/8	41	19	\$ 241
BDM60S	5/8	53	19	\$ 298
BDM66S	5/8	59	19	\$ 320
BDM72S	5/8	63	19	\$ 339

About this product

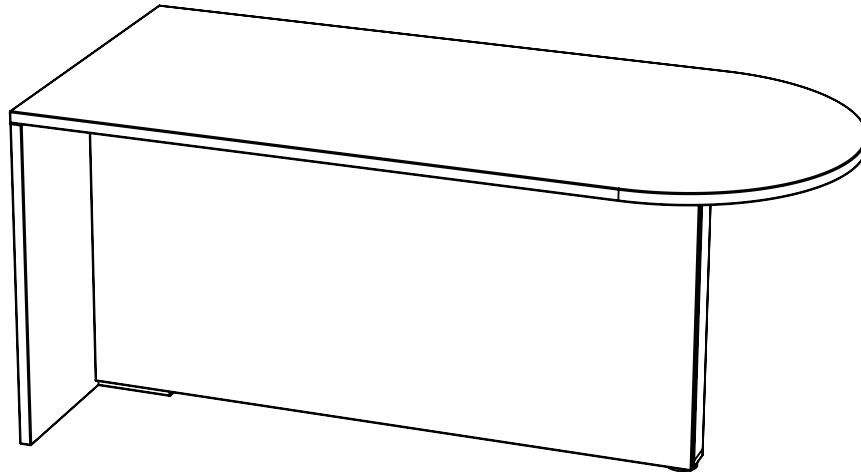
- Attached to top with laminate triangles and brackets
- Flexible placement, inset or flush to the front
- Shipped ready to assemble

Code Matrix

Identification	Category	Item Description	Dimensions	Suffix
Bravo	Desk	Modesty	Width (of desk)	Short Modesty
B	D	M	48	S
┌──────────────────┴──────────────────┐				
BDM48S				

Desks

► Islands Bullet Shape



Product Code	Dimensions			List Price
	D	W	H	
BDI2460B_	24	60	29	\$ 871
BDI2466B_	24	66	29	\$ 927
BDI2472B_	24	72	29	\$ 971
BDI3060B_	30	60	29	\$ 975
BDI3066B_	30	66	29	\$ 1018
BDI3072B_	30	72	29	\$ 1112
BDI3672B_	36	72	29	\$ 1280

* Specify "L" or "R" for left or right in the space of the code above when placing your order
image above is a left hand unit ("L")

** Specify post leg colour (black or grey) when placing your order

About this product

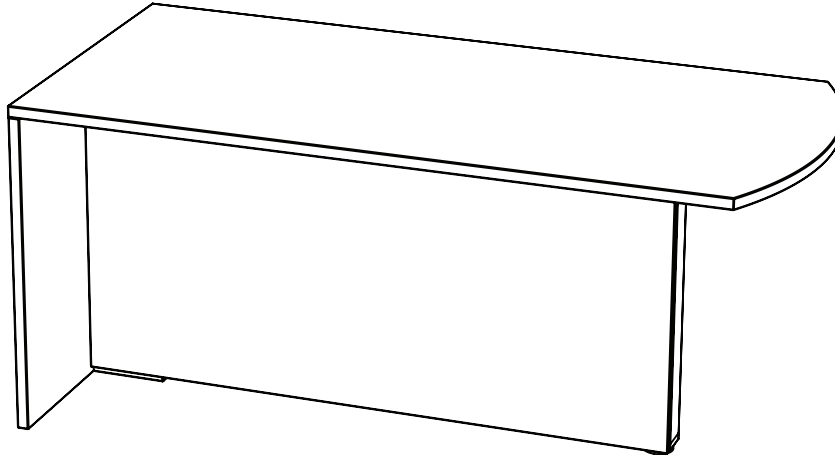
- 3/4 Modesty, add suffix "SM" to end code
- Data Modesty, add suffix "DM" to end of code
- 3" round post leg (one on 24" and 30", two on 36" for stability)
- Shipped assembled

Code Matrix

Identification	Category	Item Description	Dimensions	Suffix	Which Hand
Bravo	Desk	Island	Depth x Width	Bullet Shape	Right / Left
B	D	I	30 x 66	B	L
└──────────┬──────────┬──────────┬──────────┬──────────┬──────────┘					
└──────────┬──────────┬──────────┬──────────┬──────────┬──────────┘					
└──────────┬──────────┬──────────┬──────────┬──────────┬──────────┘					
└──────────┬──────────┬──────────┬──────────┬──────────┬──────────┘					
└──────────┬──────────┬──────────┬──────────┬──────────┬──────────┘					
└──────────┬──────────┬──────────┬──────────┬──────────┬──────────┘					
└──────────┬──────────┬──────────┬──────────┬──────────┬──────────┘					
└──────────┬──────────┬──────────┬──────────┬──────────┬──────────┘					
└──────────┬──────────┬──────────┬──────────┬──────────┬──────────┘					
└──────────┬──────────┬──────────┬──────────┬──────────┬──────────┘					
└──────────┬──────────┬──────────┬──────────┬──────────┬──────────┘					

Desks

▶ Islands D-Shape



Product Code	Dimensions			List Price
	D	W	H	
BDI3060D_	30	60	29	\$ 820
BDI3066D_	30	66	29	\$ 827
BDI3072D_	30	72	29	\$ 889
BDI3672D_	36	72	29	\$ 1082

* Specify "L" or "R" for left or right in the space of the code above when placing your order
image above is a left hand unit ("L")

** Specify post leg colour (black or grey) when placing your order

About this product

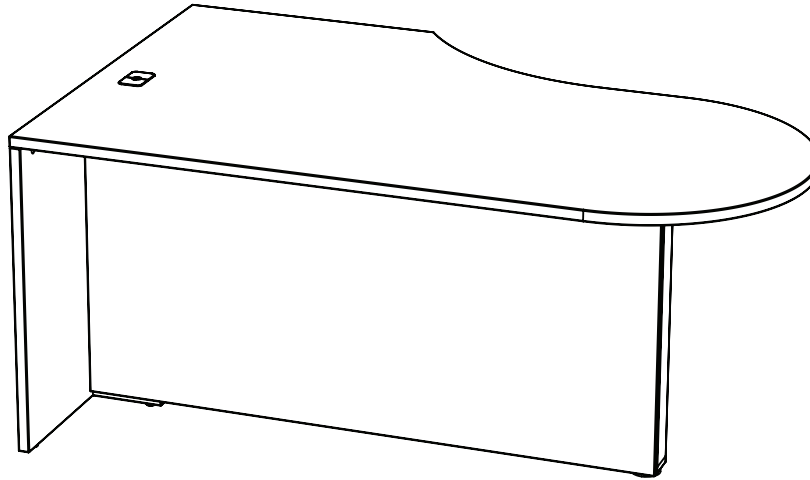
- 3/4 Modesty, add suffix "SM" to end code
- Data Modesty, add suffix "DM" to end of code
- 3" round post leg (one on 24" and 30", two on 36" for stability)
- Shipped assembled

Code Matrix

Identification	Category	Item Description	Dimensions	Suffix	Which Hand
Bravo	Desk	Island	Depth x Width	D-Shape	Right / Left
B	D	I	30 x 66	D	L
----- ----- ----- ----- ----- -----					
----- ----- ----- ----- ----- -----					
----- ----- ----- ----- ----- -----					

Desks

► Islands J-Shape



Product Code	Dimensions			List Price
	D	W	H	
BDI4060J_	30/40	60	29	\$ 1355
BDI4066J_	30/40	66	29	\$ 1398
BDI4072J_	30/40	72	29	\$ 1441

* Specify "L" or "R" for left or right in the space of the code above when placing your order
image above is a left hand unit ("L")

** Specify post leg colour (black or grey) when placing your order

About this product

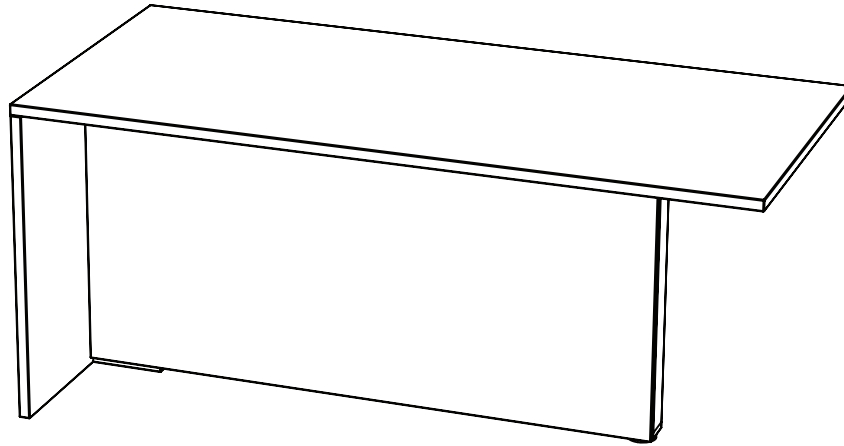
- 3/4 Modesty, add suffix "SM" to end code
- Data Modesty, add suffix "DM" to end of code
- 3" round post leg (one on 24" and 30", two on 36" for stability)
- Shipped assembled

Code Matrix

Identification	Category	Item Description	Dimensions	Suffix	Which Hand
Bravo	Desk	Island	Depth x Width	J-Shape	Right / Left
B	D	I	40 x 66	J	L
----- ----- ----- ----- -----					
		BDI4066JL			

Desks

► Islands Straight



Product Code	Dimensions			List Price
	D	W	H	
BDI3066S_	30	66	29	\$ 827
BDI3672S_	36	72	29	\$ 1082

* Specify "L" or "R" for left or right in the space of the code above when placing your order
image above is a left hand unit ("L")

** Specify post leg colour (black or grey) when placing your order

About this product

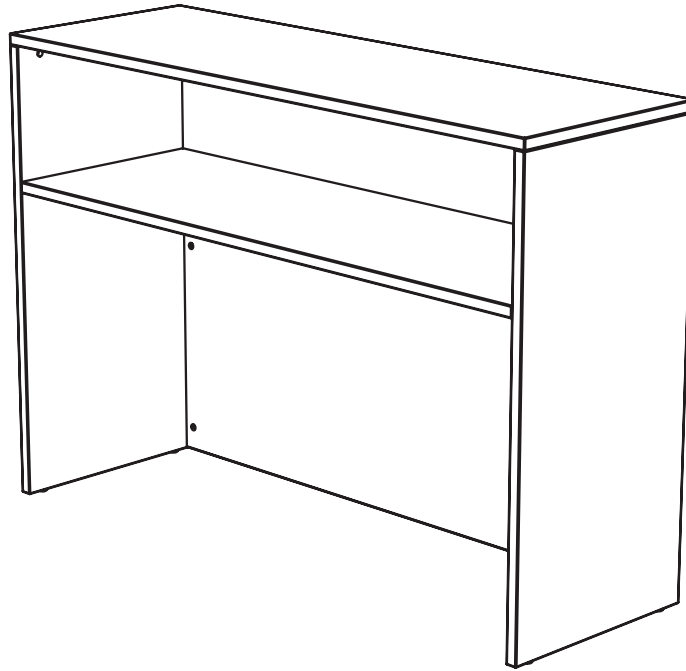
- 3/4 Modesty, add suffix "SM" to end code
- Data Modesty, add suffix "DM" to end of code
- 3" round post leg (one on 24" and 30", two on 36" for stability)
- Shipped assembled

Code Matrix

Identification	Category	Item Description	Dimensions	Suffix	Which Hand
Bravo B	Desk D	Island I	Depth x Width 30 x 66	Straight S	Right / Left L
┌──────────┴──────────┬──────────┴──────────┬──────────┴──────────┬──────────┴──────────┬──────────┴──────────┬──────────┴──────────┐ BDI3066SL					

Desks

▶ Standing Height Desk Shells 20" Deep



Product Code	Dimensions			List Price
	D	W	H	
BDS2060H42F	20	60	42	\$ 1081
BDS2062H42F	20	62	42	\$ 1081
BDS2072H42F	20	72	42	\$ 1241
BDS2074H42F	20	74	42	\$ 1241

About this product

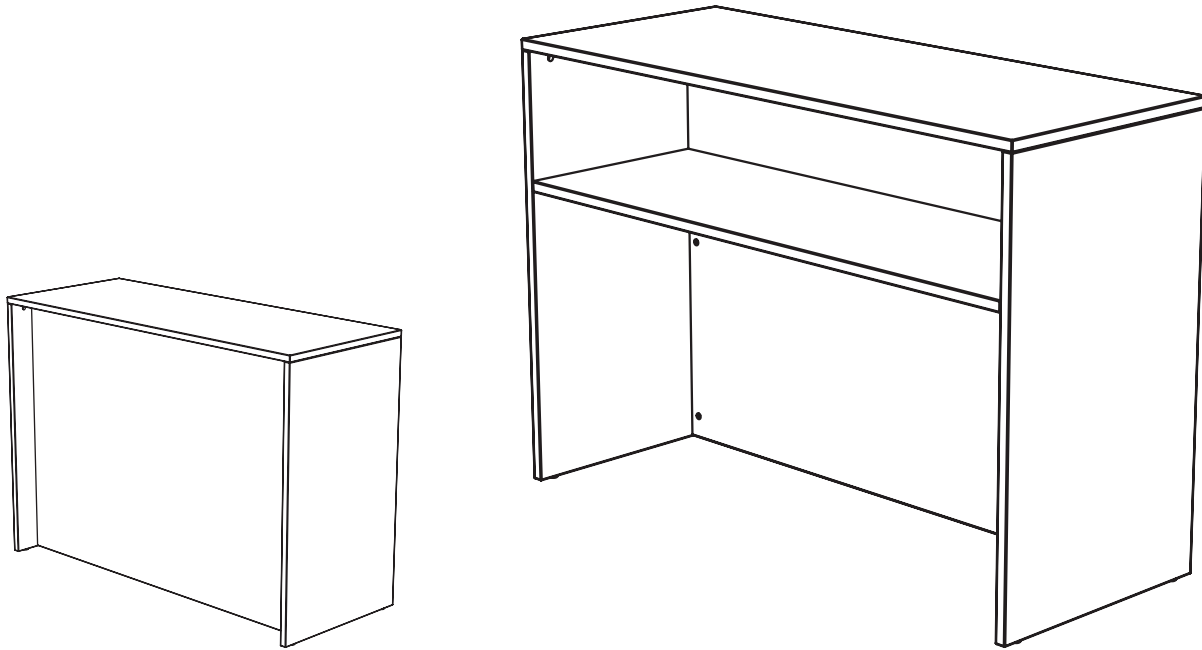
- Full Flush Modesty
- 1 Fixed shelf at 29" to match desk height
- Shelf will ship the same colour as the body of the unit unless otherwise specified on the order
- Shipped assembled

Code Matrix

Identification	Category	Item Description	Dimensions	Height	Modesty
Bravo	Desk	With Shelf	Depth x Width	Height	Flush
B	D	S	20 x 60	H42	F
└──────────────────┬──────────────────┬──────────────────┬──────────────────┬──────────────────┘					
BDS2060H42F					

Desks

▶ Standing Height Desk Shells 24" Deep



Product Code	Dimensions			List Price
	D	W	H	
BDS2460H42	24	60	42	\$ 1286
BDS2462H42	24	62	42	\$ 1286
BDS2472H42	24	72	42	\$ 1279
BDS2474H42	24	74	42	\$ 1279

About this product

- Full inset Modesty
- 1 Fixed shelf at 29" to match desk height
- Shelf will ship the same colour as the body of the unit unless otherwise specified on the order
- Shipped assembled

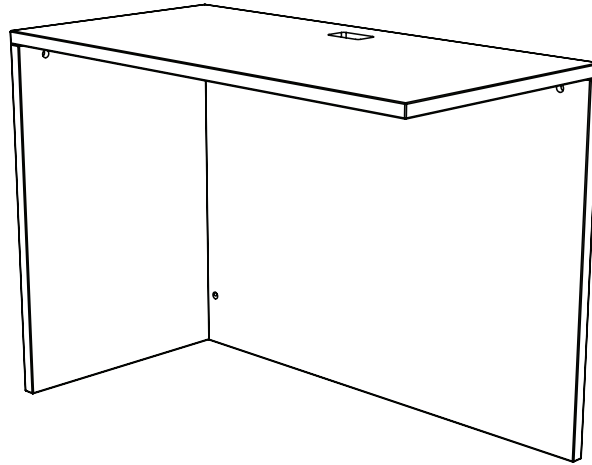
Code Matrix

Identification	Category	Item Description	Dimensions	Suffix
Bravo	Desk	With Shelf	Depth x Width	Height
B	D	S	24 x 60	H42
┌───────────┴───────────┬───────────┴───────────┐ BDS2460H42				

Desk Extensions

Desk Extensions

► Straight Return Shells 20" Deep



Product Code	Dimensions			List Price
	D	W	H	
BR2024_	20	24	29	\$ 402
BR2036_	20	36	29	\$ 490
BR2040_	20	40	29	\$ 490
BR2042_	20	42	29	\$ 501
BR2048_	20	48	29	\$ 511

* Specify "L" or "R" for left or right in the space of the code above when placing your order
image above is a left hand unit ("L")

About this product

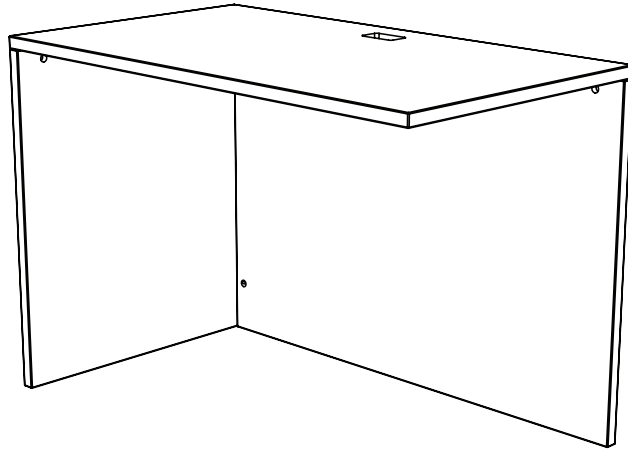
- One grommet centered at the back for power access
- 24" return does not include a grommet
- Connecting brackets included
- Shipped assembled

Code Matrix

Identification	Category	Dimensions	Which Hand
Bravo B	Return R	Depth x Width 20 x 36	Right / Left L
┌──────────────────┴──────────────────┐			
BR2036L			

Desk Extensions

► Straight Return Shells 24" Deep



Product Code	Dimensions			List Price
	D	W	H	
BR2424_	24	24	29	\$ 402
BR2430_	24	30	29	\$ 458
BR2432_	24	32	29	\$ 519
BR2436_	24	36	29	\$ 525
BR2440_	24	40	29	\$ 563
BR2442_	24	42	29	\$ 569
BR2448_	24	48	29	\$ 618

* Specify "L" or "R" for left or right in the space of the code above when placing your order
image above is a left hand unit ("L")

About this product

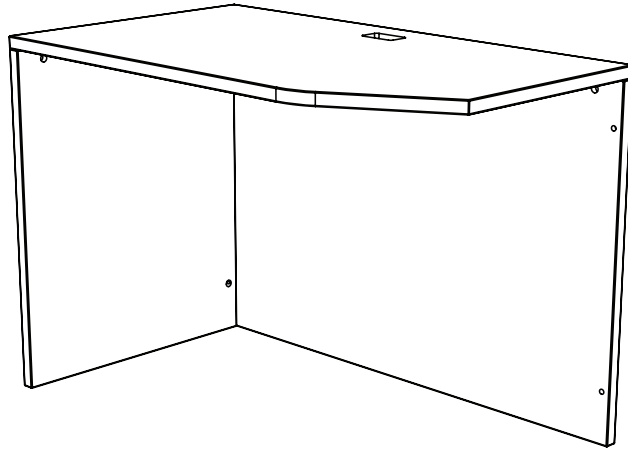
- One grommet centered at the back for power access
- 24" return does not include a grommet
- Connecting brackets included
- Shipped assembled

Code Matrix

Identification	Category	Dimensions	Which Hand
Bravo B	Return R	Depth x Width 24 x 36	Right / Left L
┌──────────────────┴──────────────────┐			
BR2436L			

Desk Extensions

► Notched Return Shells



Product Code	Dimensions			List Price
	D	W	H	
BRN2424_18	18/24	24	29	\$ 455
BRN2430_18	18/24	30	29	\$ 511
BRN2436_18	18/24	36	29	\$ 588
BRN2442_18	18/24	42	29	\$ 641

* Specify "L" or "R" for left or right in the space of the code above when placing your order
 image above is a left hand unit ("L")

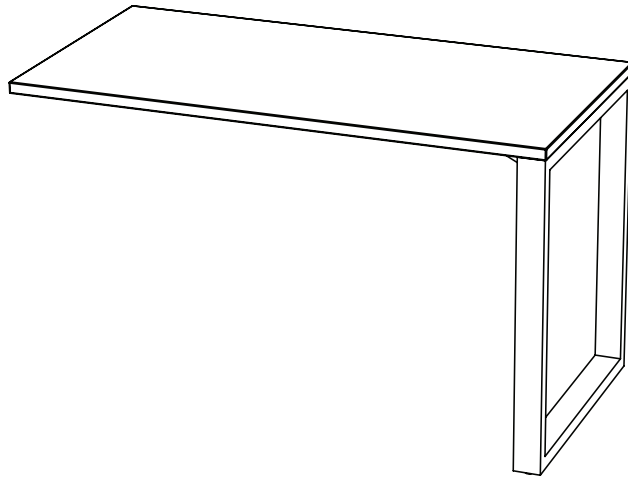
About this product

- One grommet centered at the back for power access
- Connecting brackets included
- Shipped assembled

Code Matrix						
Identification	Category	Item Description	Dimensions	Which Hand	Connect	
Bravo	Return	Notched	Depth x Width	Right / Left	Depth	
B	R	N	24 x 36	L	18	
----- ----- ----- ----- ----- -----						
-----			BRN2436L18	-----		

Desk Extensions

► Metal Leg Returns



Product Code	Dimensions			List Price
	D	W	H	
BR2430OL	24	30	29	\$ 332
BR2436OL	24	36	29	\$ 351
BR2442OL	24	42	29	\$ 395
BR2448OL	24	48	29	\$ 511

* Specify o-leg colour (grey or black) on your order. If no colour is specified, grey will be shipped.

About this product

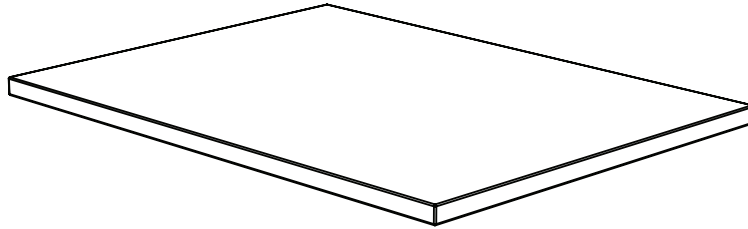
- Universal right/left surface with single metal o-legs and flat brackets
- Stiffener included for support on 48" width
- This product is invoiced as two separate codes; BD_ _ _ T (top) BR_ _ _ OLBASE (base)
- Shipped ready to assemble

Code Matrix

Identification	Category	Dimensions	Suffix
Bravo	Return	Depth x Width	O Leg
B	R	24 x 36	OL
┌──────────────────┴──────────────────┬──────────────────┴──────────────────┐ BR2436OL			

Desk Extensions

▶ Connecting Tops



Product Code	Dimensions			List Price
	D	W	H	
BB2430T	24	30	1	\$ 199
BB2432T	24	32	1	\$ 224
BB2436T	24	36	1	\$239
BB2442T	24	42	1	\$271

About this product

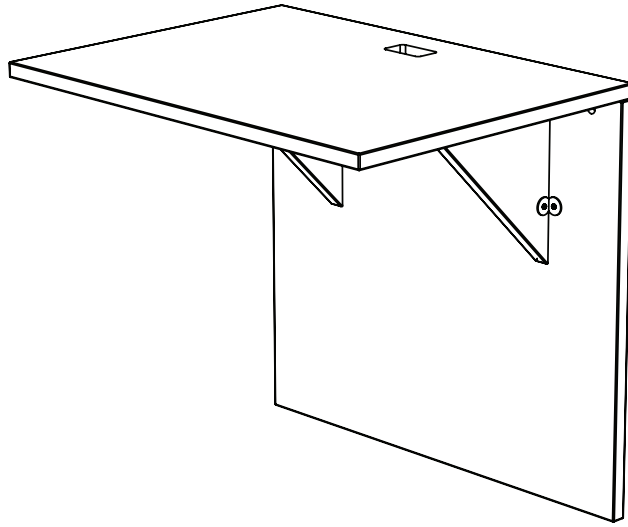
- Flat brackets for installation
- Shipped ready to assemble

Code Matrix

Identification	Category	Dimensions	Suffix
Bravo B	Bridge B	Depth x Width 24 x 32	Top T
<div style="display: flex; justify-content: space-between; width: 100%; border-top: 1px solid black; border-bottom: 1px solid black;"> BB2432T </div>			

Desk Extensions

► Bridge Shells



Product Code	Dimensions			List Price
	D	W	H	
BB2040	20	40	29	\$ 423
BB2048	20	48	29	\$ 447
BB2432	24	32	29	\$ 385
BB2440	24	40	29	\$ 423
BB2442	24	42	29	\$ 472
BB2448	24	48	29	\$ 472

About this product

- One grommet hole centered at the back for power access
- Flat brackets for installation
- Shipped ready to assemble

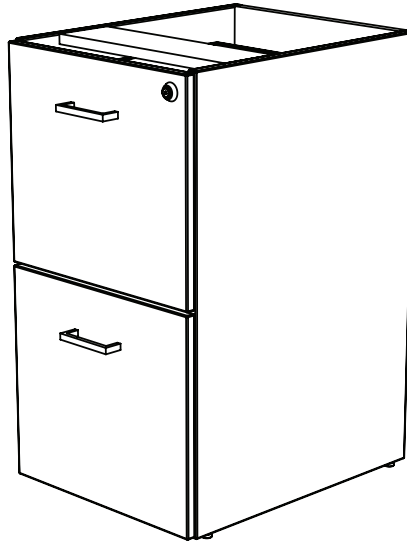
Code Matrix

Identification	Category	Dimensions
Bravo B	Bridge B	Depth x Width 24 x 32
└───────────────────┬───────────────────┘ BB2432		

Pedestals

Pedestals

► Floor Pedestals
File/File



Product Code	Dimensions			List Price
	D	W	H	
BPF2016FF	20	15-1/2	28	\$ 766

About this product

- Both drawers locking
- Shipped assembled
- File drawers are meant for hanging files only

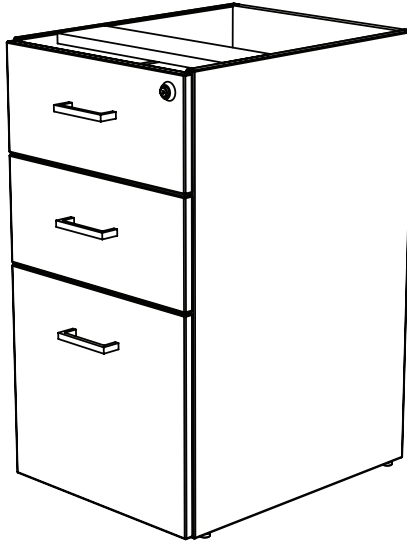
* Note: this product will not fit under metal leg desks due to stiffener bars and brackets

Code Matrix

Identification	Category	Item Description	Dimensions	Suffix
Bravo	Pedestal	Floor	Depth x Width	File/File
B	P	F	20 x 16	FF
┌──────────────────┴──────────────────┬──────────────────┴──────────────────┐ BPF2016FF				

Pedestals

▶ Floor Pedestals Box/Box/File



Product Code	Dimensions			List Price
	D	W	H	
BPF2016BBF	20	15-1/2	28	\$ 820

About this product

- All drawers locking
- Shipped assembled
- File drawers are meant for hanging files only

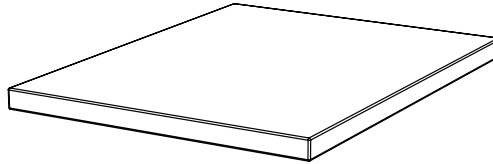
* Note: this product will not fit under metal leg desks due to stiffener bars and brackets

Code Matrix

Identification	Category	Item Description	Dimensions	Suffix
Bravo	Pedestal	Floor	Depth x Width	Box/Box/File
B	P	F	20 x 16	BBF
----- ----- ----- -----				
BPF2016BBF				

Pedestals

▶ Pedestal Tops



Product Code	Dimensions			List Price
	D	W	H	
BP2016T	20	15-1/2	1	\$ 99

About this product

- Hardware included for attachment to floor pedestals

Code Matrix

Identification	Category	Dimensions	Suffix
Bravo	Pedestal	Depth x Width	Top
B	P	20 x 16	T
┌──────────────────┴──────────────────┬──────────────────┴──────────────────┐ BP2016T			

Pedestals

► Hanging Pedestals
Box/Box/File



Product Code	Dimensions			List Price
	D	W	H	
BPH1816BBF	18	15-1/2	25	\$ 706

About this product

- All drawers locking
- Shipped assembled
- File drawers are meant for hanging files only

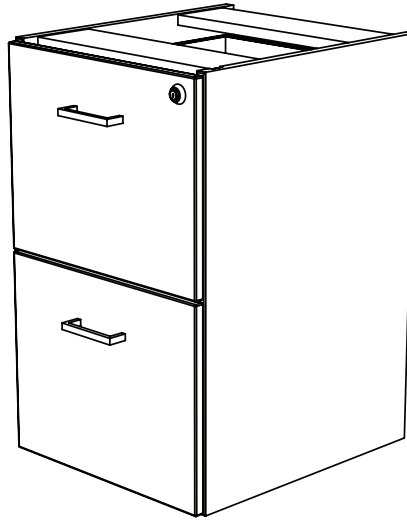
* Note: this product will not mount under metal leg desks due to stiffener bars and brackets

Code Matrix

Identification	Category	Item Description	Dimensions	Suffix
Bravo	Pedestal	Hanging	Depth x Width	Box/Box/File
B	P	H	18 x 16	BBF
└──────────────────┬──────────────────┬──────────────────┬──────────────────┬──────────────────┘				
BPH1816BBF				

Pedestals

▶ Hanging Pedestals File/File



Product Code	Dimensions			List Price
	D	W	H	
BPH1816FF	18	15-1/2	25	\$ 704

About this product

- All drawers locking
- Shipped assembled
- File drawers are meant for hanging files only

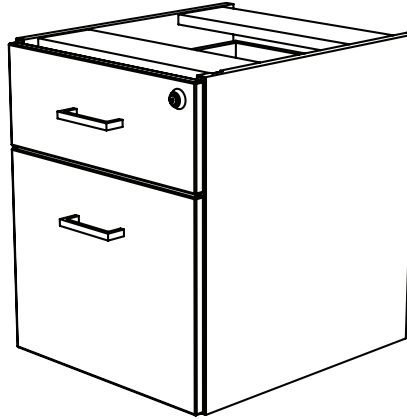
* Note: this product will not mount under metal leg desks due to stiffener bars and brackets

Code Matrix

Identification	Category	Item Description	Dimensions	Suffix
Bravo	Pedestal	Hanging	Depth x Width	File/File
B	P	H	18 x 16	FF
└──────────────────┬──────────────────┬──────────────────┬──────────────────┬──────────────────┘				
BPH1816FF				

Pedestals

▶ Hanging Pedestals Box/File



Product Code	Dimensions			List Price
	D	W	H	
BPH1816BF	18	15-1/2	19	\$ 537

About this product

- All drawers locking
- Shipped assembled
- File drawers are meant for hanging files only

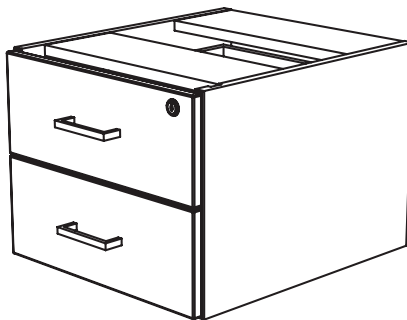
* Note: this product will not mount under metal leg desks due to stiffener bars and brackets

Code Matrix

Identification	Category	Item Description	Dimensions	Suffix
Bravo	Pedestal	Hanging	Depth x Width	Box/File
B	P	H	18 x 16	BF
└──────────┬──────────┬──────────┬──────────┬──────────┘ BPH1816BF				

Pedestals

▶ Hanging Pedestals Box/Box



Product Code	Dimensions			List Price
	D	W	H	
BPH1816BB	18	15-1/2	12-1/2	\$ 510

About this product

- All drawers locking
- Shipped assembled

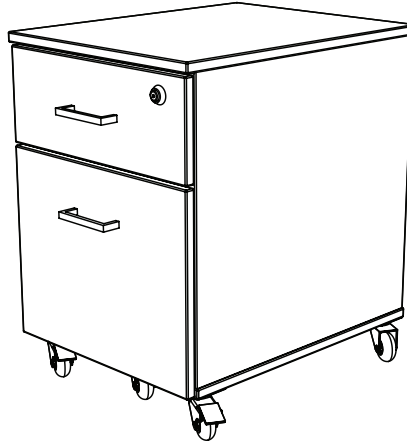
* Note: this product will not mount under metal leg desks due to stiffener bars and brackets

Code Matrix

Identification	Category	Item Description	Dimensions	Suffix
Bravo	Pedestal	Hanging	Depth x Width	Box/Box
B	P	H	18 x 16	BB
└──────────────────────────────────┬──────────────────────────────────┘				
└──────────────────────────────────┬──────────────────────────────────┘				
└──────────────────────────────────┬──────────────────────────────────┘				
└──────────────────────────────────┬──────────────────────────────────┘				
└──────────────────────────────────┬──────────────────────────────────┘				
└──────────────────────────────────┬──────────────────────────────────┘				
└──────────────────────────────────┬──────────────────────────────────┘				

Pedestals

▶ Mobile Pedestals Box/File



Product Code	Dimensions			List Price
	D	W	H	
BPM2016BFT	20	15-1/2	22	\$ 824

About this product

- All drawers locking
- Five casters (two locking)
- Shipped assembled
- File drawers are meant for hanging files only

Code Matrix

Identification	Category	Item Description	Dimensions	Suffix	Top Specified
Bravo	Pedestal	Mobile	Depth x Width	Box/File	With Top
B	P	M	20 x 16	BF	T
└──────────────────┴──────────────────┴──────────────────┴──────────────────┴──────────────────┘					
BPM2016BFT					

Pedestals

► **Mobile Pedestals**
Box/Box/File



Product Code	Dimensions			List Price
	D	W	H	
BPM2016BBFT	20	15-1/2	27	\$ 1011

About this product

- All drawers locking
- Five casters (two locking)
- Shipped assembled
- File drawers are meant for hanging files only

Code Matrix						
Identification	Category	Item Description	Dimensions	Suffix	Top Specified	
Bravo	Pedestal	Mobile	Depth x Width	Box/Box/File	With Top	
B	P	M	20 x 16	BBF	T	
┌──────────────────────────┴──────────────────────────┘						
└──────────────────BPM2016BBFT──────────────────┘						

Pedestals

▶ Mobile Pedestals File/File



Product Code	Dimensions			List Price
	D	W	H	
BPM2016FFT	20	15-1/2	27	\$ 1011

About this product

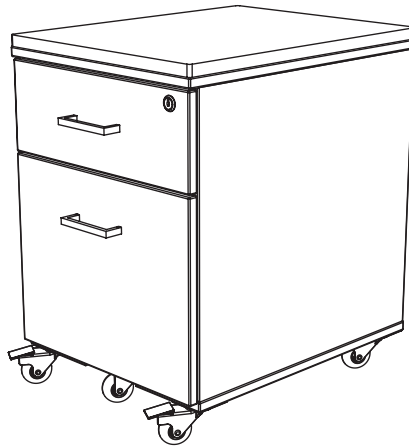
- All drawers locking
- Five casters (two locking)
- Shipped assembled
- File drawers are meant for hanging files only

Code Matrix

Identification	Category	Item Description	Dimensions	Suffix	Top Specified
Bravo	Pedestal	Mobile	Depth x Width	File/File	With Top
B	P	M	20 x 16	FF	T
┌──────────┴──────────┬──────────┬──────────┬──────────┬──────────┐ BPM2016FFT					

Pedestals

► Mobile Pedestal Acoustic Topper



* mobile pedestal sold separately

Product Code		List Price
BPM2016-HAT12	works on all mobile pedestals	\$ 166

About this product

- When ordered, the acoustic topper will be installed onto your pedestal
- Can be applied to all mobile pedestals and the BP2016T floor pedestal top
- Acoustic material is 12mm thick
- Shipped assembled
- See ACOUSTIC FINISHES on page 7

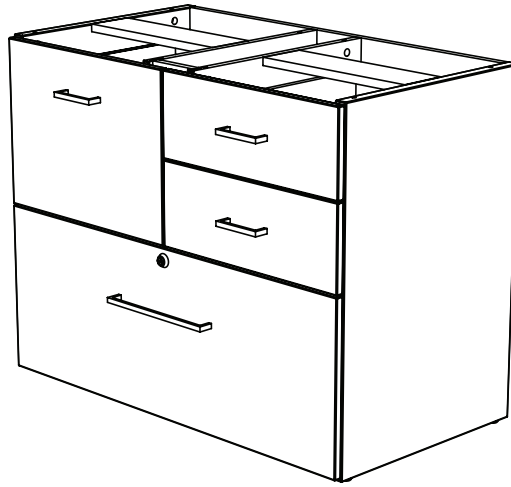
Code Matrix

Identification	Category	Item Description	Dimensions	Acoustic Cushion	Thickness
Bravo	Pedestal	Mobile	Depth x Width	Topper	12mm
B	P	M	20 x 16	HAT	12
└──────────────────────────────────┘					
└──────────────────────────────────┘					
└──────────────────────────────────┘					

Storage

Storage

▶ Combo Laterals No Top



Product Code	Dimensions			List Price
	D	W	H	
BS1836U64	18	36	28	\$ 1192
BS2036U64	20	36	28	\$ 1192
BS2436U64	24	36	28	\$ 1394

About this product

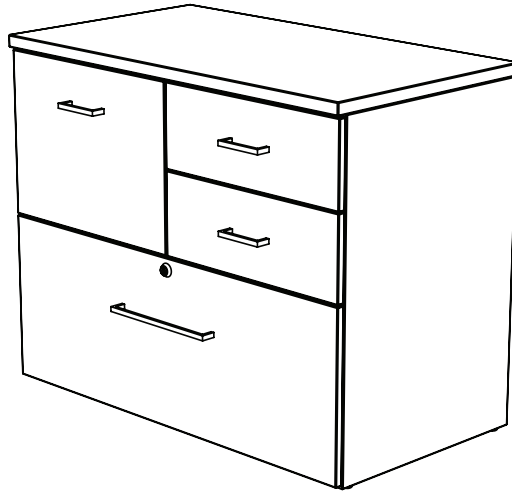
- Bottom drawer only locking
- Shipped assembled
- Comes standard with lateral file kit
- File drawers are meant for hanging files only
- To add a common top across multiple units, a storage top must be ordered to ensure hardware is included to connect. These tops are found in the Storage section of this catalogue.

Code Matrix

Identification	Category	Dimensions	Top Specified	Suffix
Bravo	Storage	Depth x Width	No Top	Combo Lateral
B	S	20 x 36	U	64
		BS2036U64		

Storage

▶ Combo Laterals With Top



Product Code	Dimensions			List Price
	D	W	H	
BS1836T64	18	36	29	\$ 1314
BS2036T64	20	36	29	\$ 1314
BS2436T64	24	36	29	\$ 1588

About this product

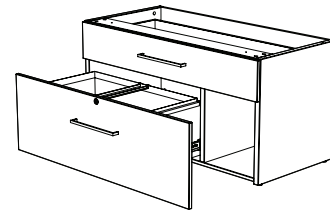
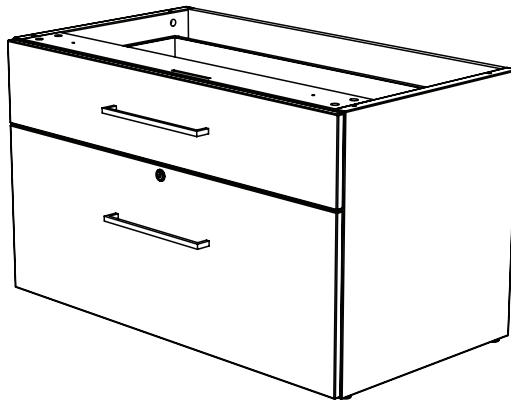
- Bottom drawer only locking
- Shipped assembled
- Comes standard with lateral file kit
- File drawers are meant for hanging files only

Code Matrix

Identification	Category	Dimensions	Top Specified	Suffix
Bravo	Storage	Depth x Width	With Top	Combo Lateral
B	S	20 x 36	T	64
		BS2036T64		

Storage

► Laterals 21" High 2-Drawers No Top



42" widths include internal cubby storage

Product Code	Dimensions			List Price
	D	W	H	
BS1830U62H21	18	30	21	\$ 765
BS1836U62H21	18	36	21	\$ 841
BS1842U62H21_	18	42	21	\$1021
BS2030U62H21	20	30	21	\$ 765
BS2036U62H21	20	36	21	\$ 841
BS2042U62H21_	20	42	21	\$1021
BS2430U62H21	24	30	21	\$ 804
BS2436U62H21	24	36	21	\$ 882
BS2442U62H21_	24	42	21	\$1090

* Specify "L" or "R" for left or right in the space of the code above when placing your order for 42" widths. Image above is a right hand unit ("R")

About this product

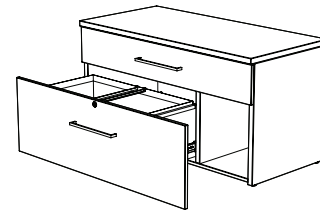
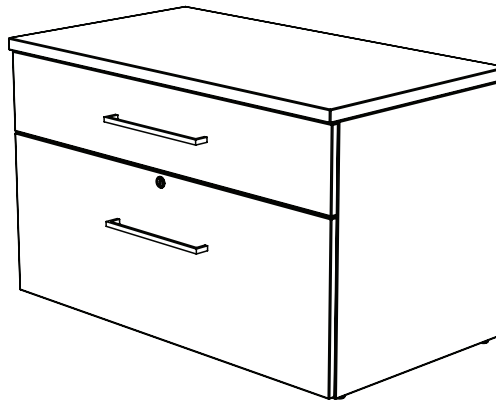
- All drawers locking
- Shipped assembled
- Comes standard with lateral file kit
- File drawers are meant for hanging files only
- To add a common top across multiple units, a storage top must be ordered to ensure hardware is included to connect. These tops are found in the Storage section of this catalogue.

Code Matrix

Identification	Category	Dimensions	Top Specified	Suffix	Height
Bravo	Storage	Depth x Width	No Top	Lateral	Quantity
B	S	20 x 36	U	62	H21
└──────────────────────────────────┬──────────────────────────────────┬──────────────────────────────────┬──────────────────────────────────┬──────────────────────────────────┬──────────────────────────────────┘					
BS2036U62H21					

Storage

► Laterals 22" High 2-Drawers With Top



42" widths include internal cubby storage

Product Code	Dimensions			List Price
	D	W	H	
BS1830T62H22	18	30	22	\$ 852
BS1836T62H22	18	36	22	\$ 944
BS1842T62H22_	18	42	22	\$1142
BS2030T62H22	20	30	22	\$852
BS2036T62H22	20	36	22	\$ 944
BS2042T62H22_	20	42	22	\$1142
BS2430T62H22	24	30	22	\$ 909
BS2436T62H22	24	36	22	\$ 1007
BS2442T62H22_	24	42	22	\$1236

* Specify "L" or "R" for left or right in the space of the code above when placing your order for 42" widths.
image above is a right hand unit ("R")

About this product

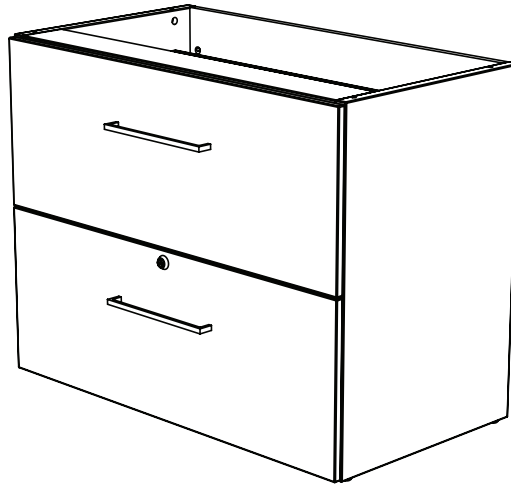
- All drawers locking
- Shipped assembled
- Comes standard with lateral file kit
- File drawers are meant for hanging files only

Code Matrix

Identification	Category	Dimensions	Top Specified	Suffix	Height
Bravo	Storage	Depth x Width	With Top	Lateral	Quantity
B	S	20 x 36	T	62	H22
┌──────────────────┴──────────────────┬──────────────────┴──────────────────┬──────────────────┴──────────────────┬──────────────────┴──────────────────┬──────────────────┴──────────────────┬──────────────────┴──────────────────┐					
BS2036U62H22					

Storage

► Laterals 2-Drawer No Top



Product Code	Dimensions			List Price
	D	W	H	
BS1830U62	18	30	28	\$ 1019
BS1836U62	18	36	28	\$ 1040
BS2030U62	20	30	28	\$ 1019
BS2036U62	20	36	28	\$ 1040
BS2430U62	24	30	28	\$ 1152
BS2436U62	24	36	28	\$ 1174

About this product

- All drawers locking
- Shipped assembled
- Comes standard with lateral file kit
- File drawers are meant for hanging files only
- To add a common top across multiple units, a storage top must be ordered to ensure hardware is included to connect. These tops are found in the Storage section of this catalogue.

Code Matrix

Identification	Category	Dimensions	Top Specified	Suffix
Bravo	Storage	Depth x Width	No Top	Lateral
B	S	20 x 36	U	62
		BS2036U62		

Storage

► Laterals 2-Drawer With Top



Product Code	Dimensions			List Price
	D	W	H	
BS1830T62	18	30	29	\$ 1059
BS1836T62	18	36	29	\$ 1135
BS2030T62	20	30	29	\$ 1059
BS2036T62	20	36	29	\$ 1135
BS2430T62	24	30	29	\$ 1234
BS2436T62	24	36	29	\$ 1252

About this product

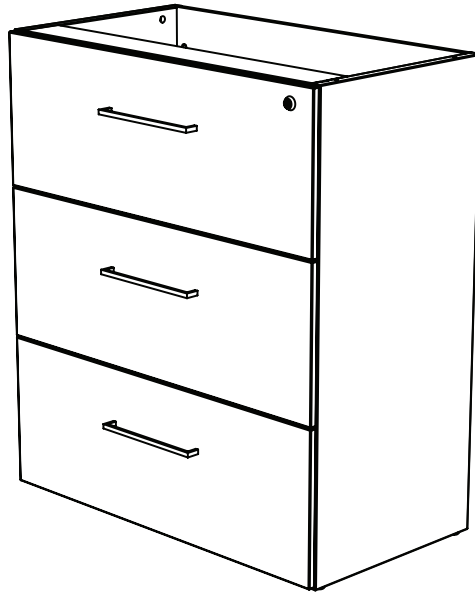
- All drawers locking
- Shipped assembled
- Comes standard with lateral file kit
- File drawers are meant for hanging files only

Code Matrix

Identification	Category	Dimensions	Top Specified	Suffix
Bravo	Storage	Depth x Width	With Top	Lateral
B	S	20 x 36	T	62
┌──────────────────┴──────────────────┬──────────────────┴──────────────────┐ BS2036T62				

Storage

▶ Laterals 3-Drawer No Top



Product Code	Dimensions			List Price
	D	W	H	
BS1830U62H3	18	30	41	\$1525
BS1836U62H3	18	36	41	\$1675
BS2030U62H3	20	30	41	\$ 1525
BS2036U62H3	20	36	41	\$ 1675
BS2430U62H3	24	30	41	\$ 1619
BS2436U62H3	24	36	41	\$ 1754

About this product

- All drawers anti-tip locking
- Shipped assembled
- Comes standard with lateral file kit
- File drawers are meant for hanging files only
- To add a common top across multiple units, a storage top must be ordered to ensure hardware is included to connect. These tops are found in the Storage section of this catalogue.

Code Matrix

Identification	Category	Dimensions	Top Specified	Suffix	Drawers High
Bravo	Storage	Depth x Width	No Top	Lateral	Quantity
B	S	20 x 36	U	62	H3
└──────────────────────────────────┬──────────────────────────────────┬──────────────────────────────────┬──────────────────────────────────┬──────────────────────────────────┘					
BS2036U62H3					

Storage

▶ Laterals 3-Drawer With Top



Product Code	Dimensions			List Price
	D	W	H	
BS1830T62H3	18	30	42	\$1705
BS1836T62H3	18	36	42	\$1726
BS2030T62H3	20	30	42	\$ 1705
BS2036T62H3	20	36	42	\$ 1726
BS2430T62H3	24	30	42	\$ 1884
BS2436T62H3	24	36	42	\$ 1906

About this product

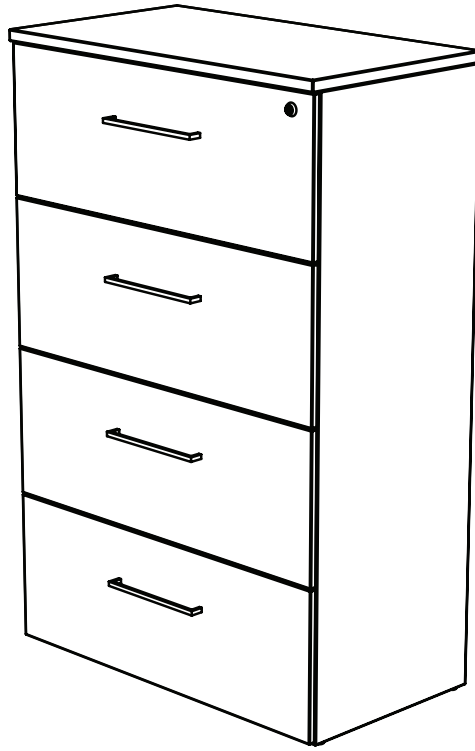
- All drawers anti-tip locking
- Shipped assembled
- Comes standard with lateral file kit
- File drawers are meant for hanging files only

Code Matrix

Identification	Category	Dimensions	Top Specified	Suffix	Drawers High
Bravo	Storage	Depth x Width	With Top	Lateral	Quantity
B	S	20 x 36	T	62	H3
└──────────────────┬──────────────────┬──────────────────┬──────────────────┬──────────────────┘					
BS2036T62H3					

Storage

▶ Laterals 4-Drawer With Top



Product Code	Dimensions			List Price
	D	W	H	
BS1830T62H4	18	30	56	\$2038
BS1836T62H4	18	36	56	\$2061
BS2030T62H4	20	30	56	\$ 2038
BS2036T62H4	20	36	56	\$ 2061
BS2430T62H4	24	30	56	\$ 2246
BS2436T62H4	24	36	56	\$ 2268

About this product

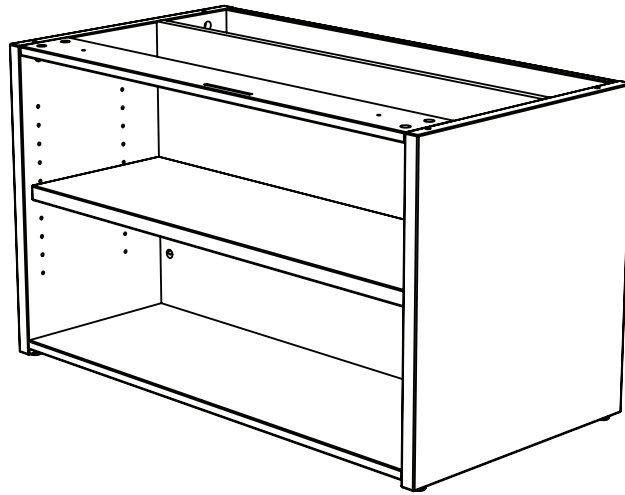
- All drawers anti-tip locking
- Shipped assembled
- Comes standard with lateral file kit
- File drawers are meant for hanging files only

Code Matrix

Identification	Category	Dimensions	Top Specified	Suffix	Drawers High
Bravo	Storage	Depth x Width	With Top	Lateral	Quantity
B	S	20 x 36	T	62	H4
└──────────────────────────────────┬──────────────────────────────────┬──────────────────────────────────┬──────────────────────────────────┬──────────────────────────────────┘ BS2036T62H4					

Storage

► Open Storage 21" High No Top Recessed Back



Product Code	Dimensions			List Price
	D	W	H	
BS1830U50H21-RB	17	30	21	\$506
BS1836U50H21-RB	17	36	21	\$567
BS2030U50H21-RB	19	30	21	\$ 506
BS2036U50H21-RB	19	36	21	\$ 567
BS2430U50H21-RB	23	30	21	\$ 539
BS2436U50H21-RB	23	36	21	\$ 607

About this product

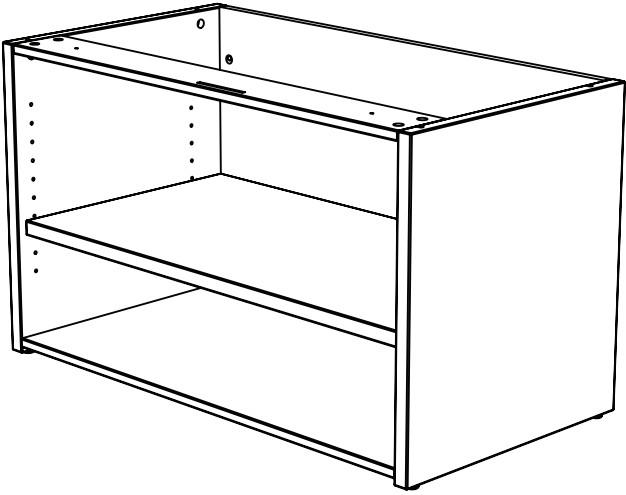
- One adjustable shelf
- Shipped assembled
- Removeable back for easy access to lift base inside.
- This unit is designed to work with the notched tops for use with lift bases. These tops are found in the Storage section of this catalogue.

Code Matrix

Identification	Category	Dimensions	Top Specified	Suffix	Height	Back
Bravo	Storage	Depth x Width	No Top	Storage	Height	Recessed
B	S	24 x 36	U	50	H21	RB
----- ----- ----- ----- ----- ----- -----						
BS2436U50H21-RB						

Storage

▶ Open Storage 21" High No Top



Product Code	Dimensions			List Price
	D	W	H	
BS1830U50H21	17	30	21	\$ 447
BS1836U50H21	17	36	21	\$ 500
BS2030U50H21	19	30	21	\$ 447
BS2036U50H21	19	36	21	\$ 500
BS2430U50H21	23	30	21	\$ 497
BS2436U50H21	23	36	21	\$ 554

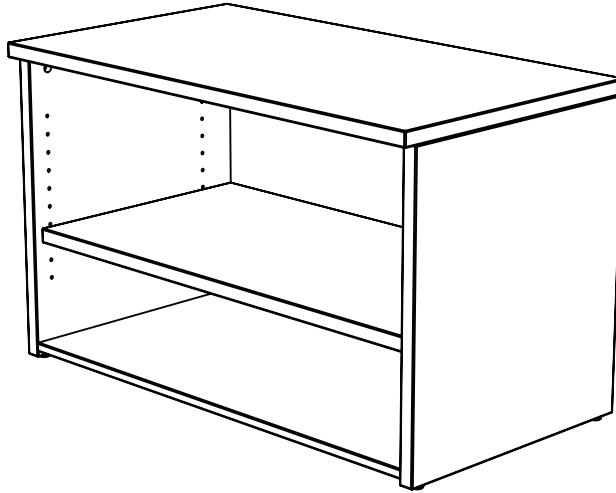
About this product

- One adjustable shelf
- Shipped assembled
- To add a common top across multiple units, a storage top must be ordered to ensure hardware is included to connect. These tops are found in the Storage section of this catalogue.

Code Matrix						
Identification	Category	Dimensions	Top Specified	Suffix	Height	
Bravo	Storage	Depth x Width	No Top	Open Storage	Height	
B	S	20 x 36	U	50	H21	
└────────────────── BS2036U50H21 ─────────────────┘						

Storage

► Open Storage 22” High With Top



Product Code	Dimensions			List Price
	D	W	H	
BS1830T50H22	18	30	22	\$ 550
BS1836T50H22	18	36	22	\$ 622
BS2030T50H22	20	30	22	\$ 550
BS2036T50H22	20	36	22	\$ 622
BS2430T50H22	24	30	22	\$ 633
BS2436T50H22	24	36	22	\$ 717

About this product

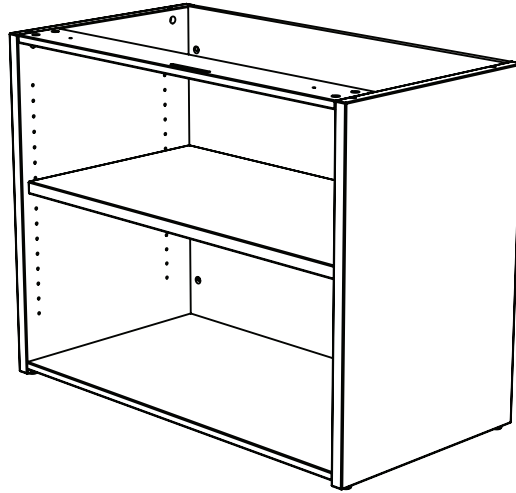
- One adjustable shelf
- Shipped assembled

Code Matrix

Identification	Category	Dimensions	Top Specified	Suffix	Height
Bravo	Storage	Depth x Width	With Top	Open Storage	Height
B	S	20 x 36	T	50	H22
└──────────────────┴──────────────────┬──────────────────┴──────────────────┘ BS2036T50H22					

Storage

► Open Storage 28" High No Top



Product Code	Dimensions			List Price
	D	W	H	
BS1830U50	17	30	28	\$ 519
BS1836U50	17	36	28	\$ 577
BS2030U50	19	30	28	\$ 519
BS2036U50	19	36	28	\$ 577
BS2430U50	23	30	28	\$ 578
BS2436U50	23	36	28	\$ 640

About this product

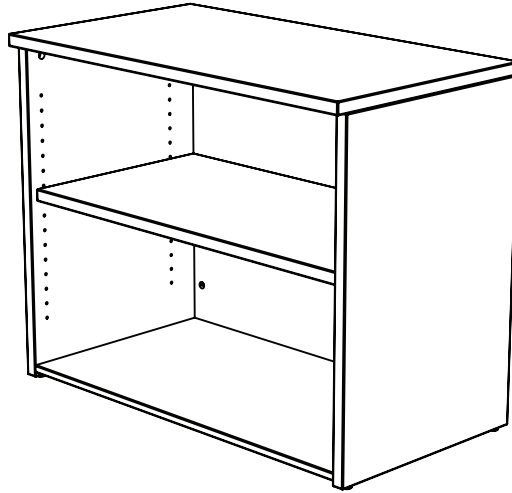
- One adjustable shelf
- Shipped assembled
- To add a common top across multiple units, a storage top must be ordered to ensure hardware is included to connect. These tops are found in the Storage section of this catalogue.

Code Matrix

Identification	Category	Dimensions	Top Specified	Suffix
Bravo	Storage	Depth x Width	No Top	Cabinet
B	S	20 x 36	U	50
		BS2036U50		

Storage

► Open Storage 29" High With Top



Product Code	Dimensions			List Price
	D	W	H	
BS1830T50	18	30	29	\$ 622
BS1836T50	18	36	29	\$ 699
BS2030T50	20	30	29	\$ 622
BS2036T50	20	36	29	\$ 699
BS2430T50	24	30	29	\$ 715
BS2436T50	24	36	29	\$ 803

About this product

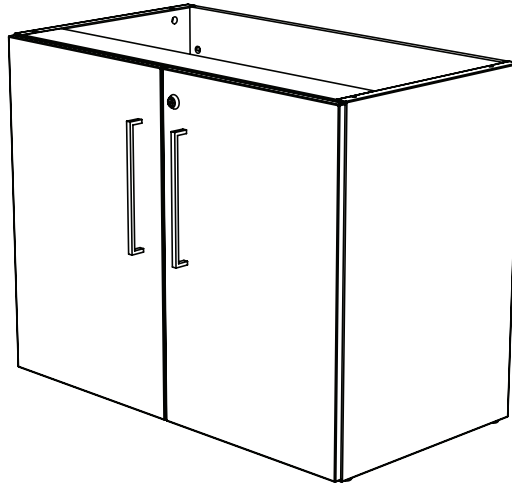
- One adjustable shelf
- Shipped assembled

Code Matrix

Identification	Category	Dimensions	Top Specified	Suffix
Bravo	Storage	Depth x Width	With Top	Cabinet
B	S	20 x 36	T	50
┌──────────┴──────────┬──────────┴──────────┬──────────┴──────────┬──────────┴──────────┬──────────┴──────────┐				
BS2036T50				

Storage

▶ Storage Cabinets 28" High No Top



Product Code	Dimensions			List Price
	D	W	H	
BS1830U65	18	30	28	\$ 788
BS1836U65	18	36	28	\$ 811
BS2030U65	20	30	28	\$ 788
BS2036U65	20	36	28	\$ 811
BS2430U65	24	30	28	\$ 863
BS2436U65	24	36	28	\$ 896

About this product

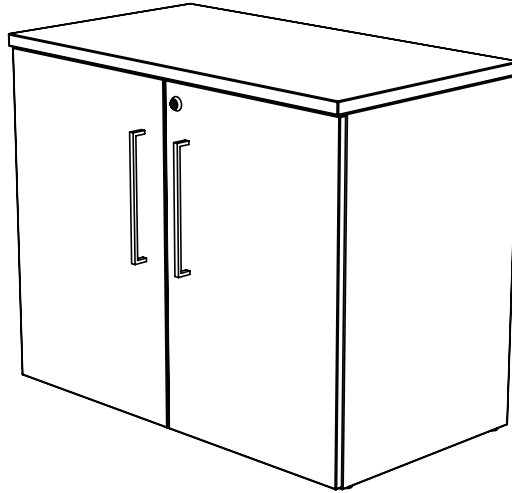
- Locking doors
- One adjustable shelf
- Shipped assembled
- To add a common top across multiple units, a storage top must be ordered to ensure hardware is included to connect. These tops are found in the Storage section of this catalogue.

Code Matrix

Identification	Category	Dimensions	Top Specified	Suffix
Bravo	Storage	Depth x Width	No Top	Cabinet
B	S	20 x 36	U	65
----- BS2036U65 -----				

Storage

▶ Storage Cabinets 29" High With Top



Product Code	Dimensions			List Price
	D	W	H	
BS1830T65	18	30	29	\$ 850
BS1836T65	18	36	29	\$ 943
BS2030T65	20	30	29	\$ 850
BS2036T65	20	36	29	\$ 943
BS2036T65H34	20	36	34	\$ 1151
BS2430T65	24	30	29	\$ 982
BS2436T65	24	36	29	\$ 1087

About this product

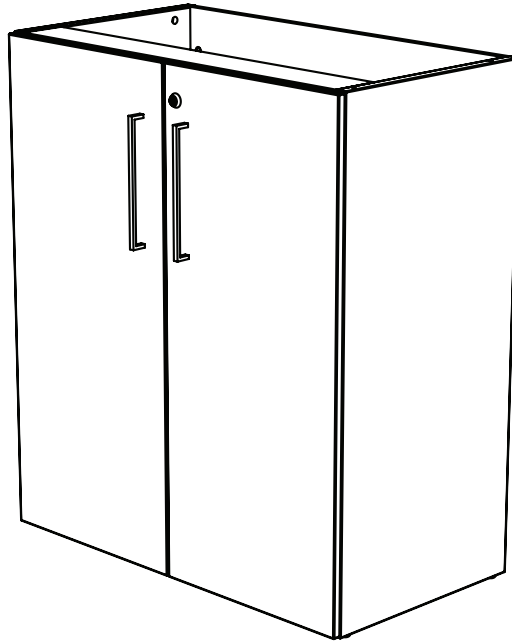
- Locking doors
- One adjustable shelf
- Shipped assembled

Code Matrix

Identification	Category	Dimensions	Top Specified	Suffix
Bravo	Storage	Depth x Width	With Top	Cabinet
B	S	20 x 36	T	65
		BS2036T65		

Storage

▶ Storage Cabinets 41" High No Top



Product Code	Dimensions			List Price
	D	W	H	
BS2030U65H41	20	30	41	\$ 1068
BS2036U65H41	20	36	41	\$ 1177
BS2430U65H41	24	30	41	\$ 1164
BS2436U65H41	24	36	41	\$ 1293

About this product

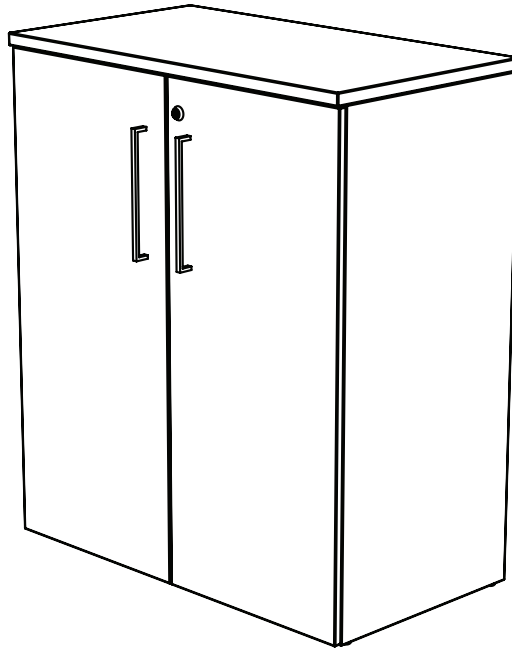
- Locking doors
- Two adjustable shelves
- Shipped assembled
- To add a common top across multiple units, a storage top must be ordered to ensure hardware is included to connect. These tops are found in the Storage section of this catalogue.

Code Matrix

Identification	Category	Dimensions	Top Specified	Suffix	Height
Bravo	Storage	Depth x Width	No Top	Cabinet	Height
B	S	20 x 36	U	65	H41
└──────────────────────────────────┬──────────────────────────────────┘					
BS2036U65H41					

Storage

▶ Storage Cabinets 42" High With Top



Product Code	Dimensions			List Price
	D	W	H	
BS2030T65H42	20	30	42	\$ 1189
BS2036T65H42	20	36	42	\$ 1314
BS2430T65H42	24	30	42	\$ 1297
BS2436T65H42	24	36	42	\$ 1450

About this product

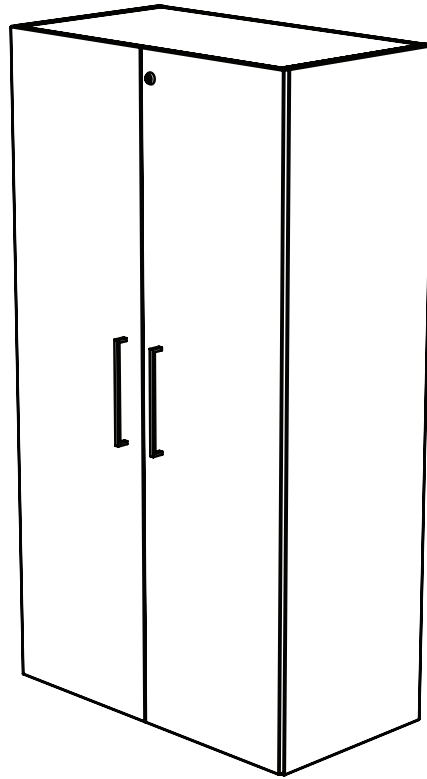
- Locking doors
- Two adjustable shelves
- Shipped assembled

Code Matrix

Identification	Category	Dimensions	Top Specified	Suffix	Height
Bravo	Storage	Depth x Width	With Top	Cabinet	Height
B	S	20 x 36	T	65	H42
┌──────────┴──────────┬──────────┴──────────┬──────────┴──────────┬──────────┴──────────┬──────────┴──────────┬──────────┴──────────┐					
BS2036T65H42					

Storage

▶ Storage Cabinets 66" High



Product Code	Dimensions			List Price
	D	W	H	
BS2030T65H66	20	30	66	\$ 1691
BS2036T65H66	20	36	66	\$ 1725
BS2430T65H66	24	30	66	\$ 1863
BS2436T65H66	24	36	66	\$ 1928

About this product

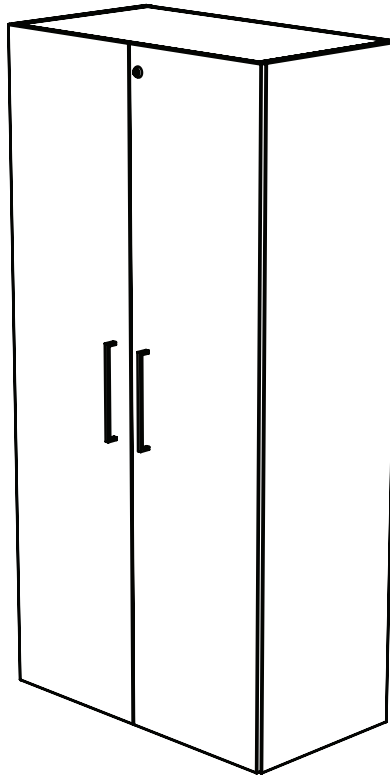
- Locking doors
- Four adjustable shelves
- Shipped assembled

Code Matrix

Identification	Category	Dimensions	Top Specified	Suffix	Height
Bravo	Storage	Depth x Width	With Top	Cabinet	Height
B	S	20 x 36	T	65	H66
┌──────────────────┴──────────────────┬──────────────────┴──────────────────┬──────────────────┴──────────────────┬──────────────────┴──────────────────┬──────────────────┴──────────────────┬──────────────────┴──────────────────┐					
BS2036T65H66					

Storage

▶ Storage Cabinets 72" High



Product Code	Dimensions			List Price
	D	W	H	
BS2030T65H72	20	30	72	\$ 1597
BS2036T65H72	20	36	72	\$ 1840
BS2430T65H72	24	30	72	\$ 1841
BS2436T65H72	24	36	72	\$ 2128

About this product

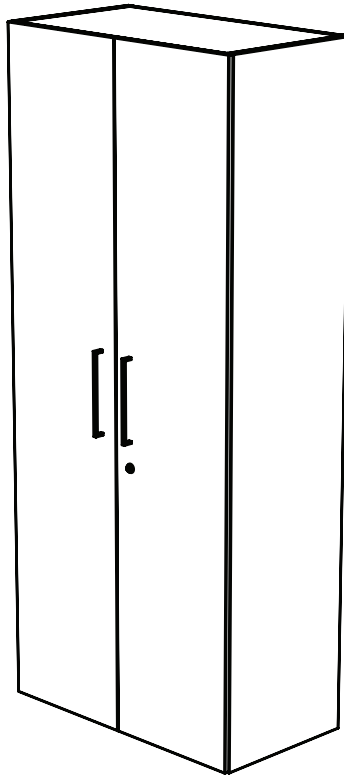
- Locking doors
- Four adjustable shelves
- Shipped assembled

Code Matrix

Identification	Category	Dimensions	Top Specified	Suffix	Height
Bravo	Storage	Depth x Width	With Top	Cabinet	Height
B	S	20 x 36	T	65	H72
└──────────┬──────────┬──────────┬──────────┬──────────┘ BS2036T65H72					

Storage

▶ Storage Cabinets 84" High



Product Code	Dimensions			List Price
	D	W	H	
BS2030T65H84	20	30	84	\$ 1876
BS2036T65H84	20	36	84	\$ 2047
BS2430T65H84	24	30	84	\$ 2087
BS2436T65H84	24	36	84	\$ 2338

About this product

- Locking doors
- Four adjustable shelves
- One fixed shelf
- Shipped assembled

Code Matrix

Identification	Category	Dimensions	Top Specified	Suffix	Height
Bravo	Storage	Depth x Width	With Top	Cabinet	Height
B	S	20 x 36	T	65	H84
└──────────┴──────────┬──────────┴──────────┘ BS2036T65H84					

Storage

▶ Combo Cabinets 66" High



Product Code	Dimensions			List Price
	D	W	H	
BS2030T68H66	20	30	66	\$ 2123
BS2036T68H66	20	36	66	\$ 2216
BS2430T68H66	24	30	66	\$ 2265
BS2436T68H66	24	36	66	\$ 2356

About this product

- Locking doors & drawers
- Two adjustable shelves
- Shipped assembled
- File drawers are meant for hanging files only

Code Matrix

Identification	Category	Dimensions	Top Specified	Suffix	Height
Bravo	Storage	Depth x Width	With Top	Combo Cabinet	Height
B	S	20 x 36	T	68	H66
┌──────────────────┴──────────────────┬──────────────────┴──────────────────┬──────────────────┴──────────────────┬──────────────────┴──────────────────┬──────────────────┴──────────────────┬──────────────────┴──────────────────┐					
BS2036T68H66					

Storage

▶ Combo Cabinets 72" High



Product Code	Dimensions			List Price
	D	W	H	
BS2030T68H72	20	30	72	\$ 2198
BS2036T68H72	20	36	72	\$ 2328
BS2430T68H72	24	30	72	\$ 2446
BS2436T68H72	24	36	72	\$ 2597

About this product

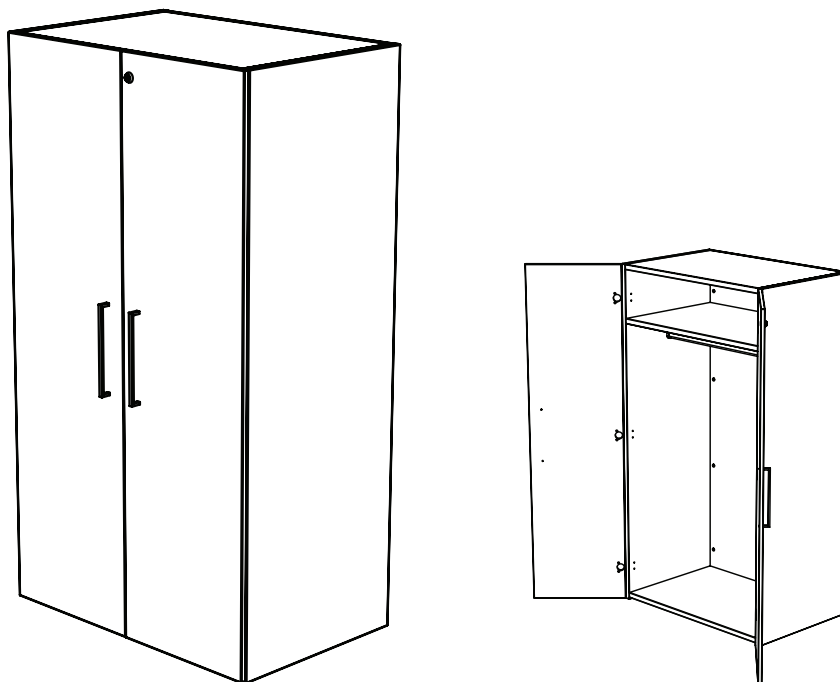
- Locking doors & drawers
- Two adjustable shelves
- Shipped assembled
- File drawers are meant for hanging files only

Code Matrix

Identification	Category	Dimensions	Top Specified	Suffix	Height
Bravo	Storage	Depth x Width	With Top	Combo Cabinet	Height
B	S	20 x 36	T	68	H72
┌──────────────────┴──────────────────┬──────────────────┴──────────────────┬──────────────────┴──────────────────┬──────────────────┴──────────────────┬──────────────────┴──────────────────┬──────────────────┴──────────────────┐					
BS2036T68H72					

Storage

► Wardrobes Open



Product Code	Dimensions			List Price
	D	W	H	
BSW2436H66	24	36	66	\$ 1866
BSW2436H72	24	36	72	\$ 1970

About this product

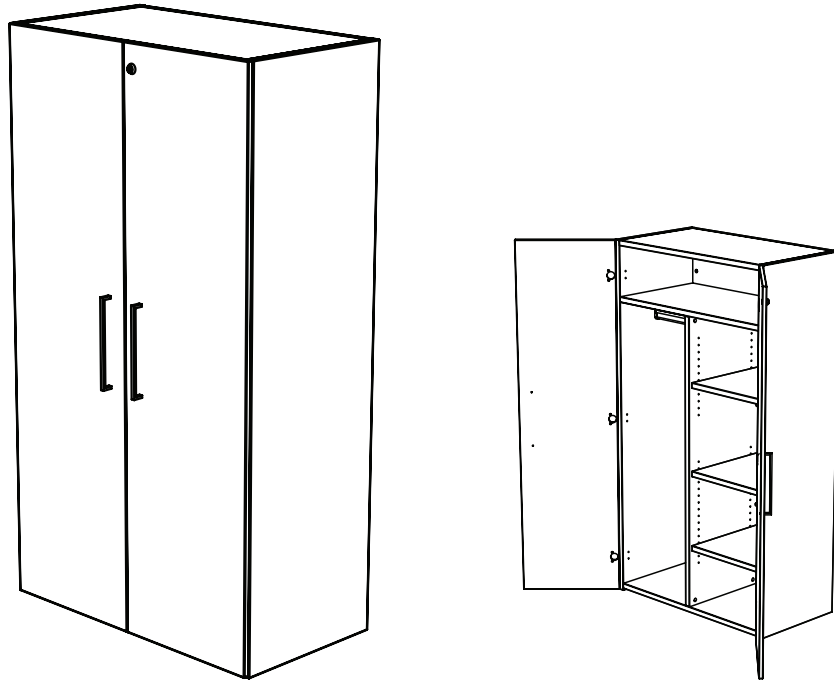
- One fixed shelf and one coat rod
- Locking doors
- Shipped assembled

Code Matrix

Identification	Category	Item Description	Dimensions	Height
Bravo	Storage	Wardrobe	Depth x Width	Height
B	S	W	24 x 36	H66
└──────────────────┬──────────────────┬──────────────────┬──────────────────┬──────────────────┘ BSW2436H66				

Storage

▶ Wardrobes With Shelves



Product Code	Dimensions			List Price
	D	W	H	
BSWS2036H66	20	36	66	\$ 2346
BSWS2036H72	20	36	72	\$ 2464
BSWS2436H66	24	36	66	\$ 2451
BSWS2436H72	24	36	72	\$ 2542

About this product

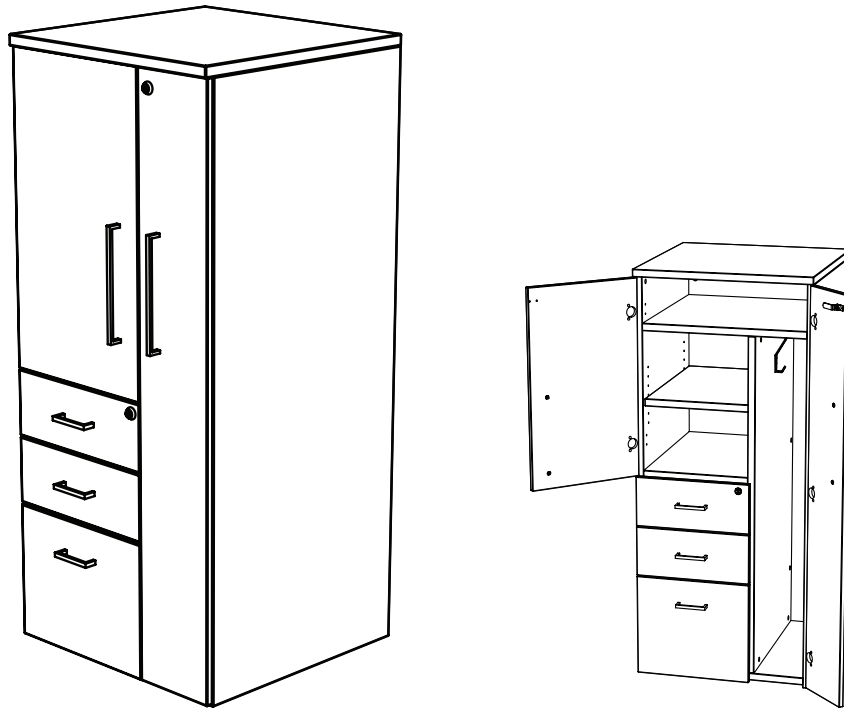
- One fixed shelf with coat rod on the left side, and adjustable shelves on the right side
- Quantity of adjustable shelves depends on the height. 66" includes 3, and 72" includes 4
- Locking doors
- Shipped assembled

Code Matrix

Identification	Category	Item Description	Shelves Specified	Dimensions	Height
Bravo	Storage	Wardrobe	With Shelves	Depth x Width	Height
B	S	W	S	20 x 36	H66
┌──────────────────┴──────────────────┬──────────────────┴──────────────────┬──────────────────┴──────────────────┬──────────────────┴──────────────────┬──────────────────┴──────────────────┬──────────────────┴──────────────────┐					
BSWS2036H66					

Storage

► Combo Wardrobes Box/Box/File



Product Code	Dimensions			List Price
	D	W	H	
BSWC2424H56BBF_	24	24	56	\$ 2045
BSWC2424H66BBF_	24	24	66	\$ 2308
BSWC2424H72BBF_	24	24	72	\$ 2502

* specify "L" or "R" for left or right in the space of the code above when placing your order
image above is a left hand unit ("L")

About this product

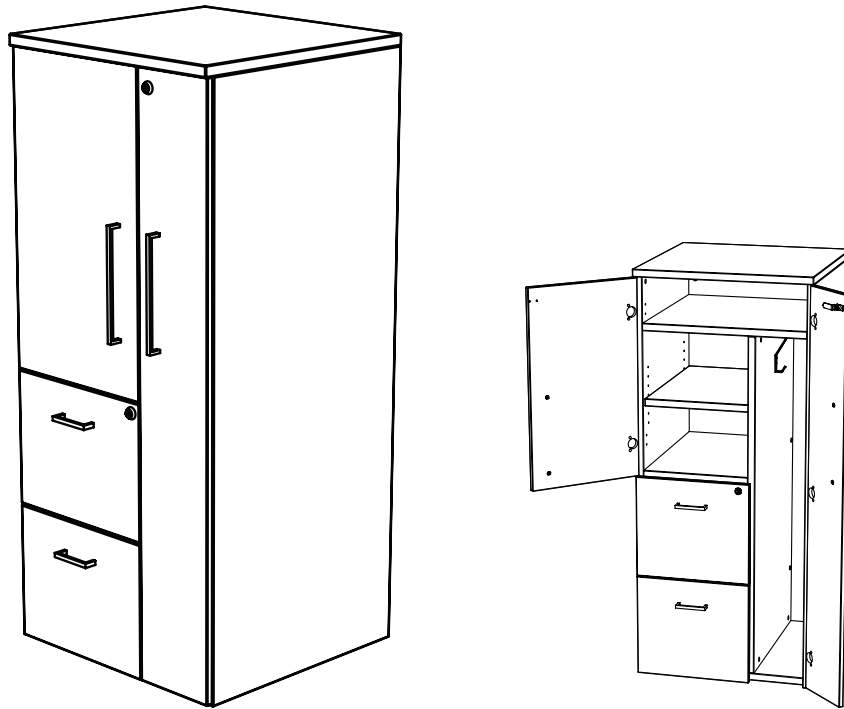
- One fixed shelf across the top of the unit
- 66" high units include one adjustable shelf on left hand side
- 72" high units include two adjustable shelves on left hand side
- Locking doors & drawers
- File drawers are meant for hanging files only
- Shipped assembled

Code Matrix

Identification	Category	Item Description	Dimensions	Height	Drawer Configuration	Hand
Bravo	Storage	Wardrobe Combo	Depth x Width	Height	Box/Box/File	Left / Right
B	S	WC	24 x 24	H56	BBF	L
BSWC2424H56BBFL						

Storage

▶ Combo Wardrobes File/File



Product Code	Dimensions			List Price
	D	W	H	
BSWC2424H56FF_	24	24	56	\$ 2180
BSWC2424H66FF_	24	24	66	\$ 2454
BSWC2424H72FF_	24	24	72	\$ 2647

* specify "L" or "R" for left or right in the space of the code above when placing your order
image above is a left hand unit ("L")

About this product

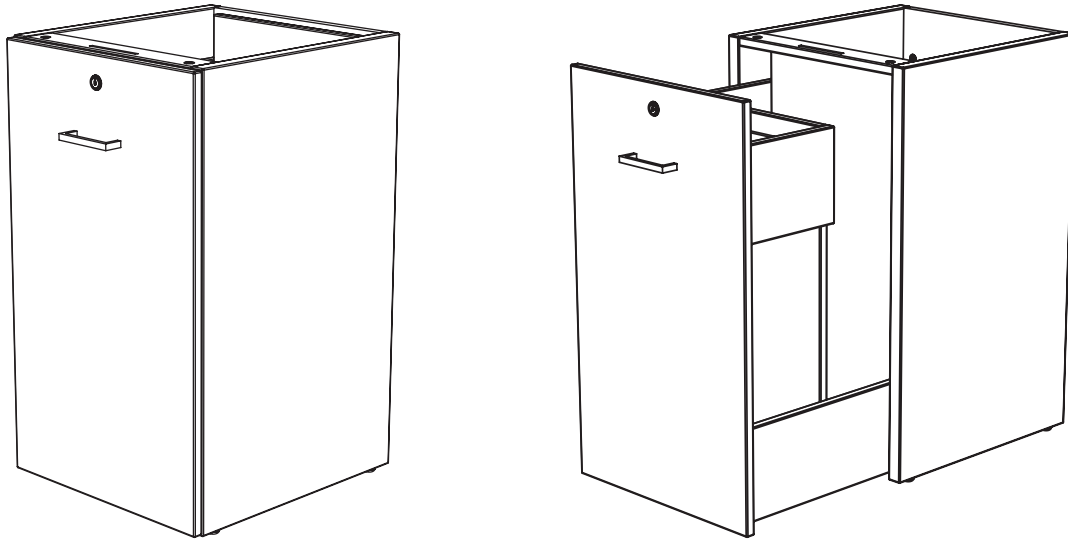
- One fixed shelf across the top of the unit
- 66" high units include one adjustable shelf on left hand side
- 72" high units include two adjustable shelves on left hand side
- Locking doors & drawers
- File drawers are meant for hanging files only
- Shipped assembled

Code Matrix

Identification	Category	Item Description	Dimensions	Height	Drawer Configuration	Hand
Bravo	Storage	Wardrobe Combo	Depth x Width	Height	File/File	Left / Right
B	S	WC	24 x 24	H56	FF	L
BSWC2424H56FFL						

Storage

► Personal Wardrobes Under Desk Unit



Product Code	Dimensions			List Price
	D	W	H	
BSWP1816UH28_	18	16	28	\$ 953

* specify "L" or "R" for left or right in the space of the code above when placing your order
image above is a left hand unit ("L")

About this product

- Interior of drawer is white laminate
- Includes one hook
- Drawer locks
- Shipped assembled

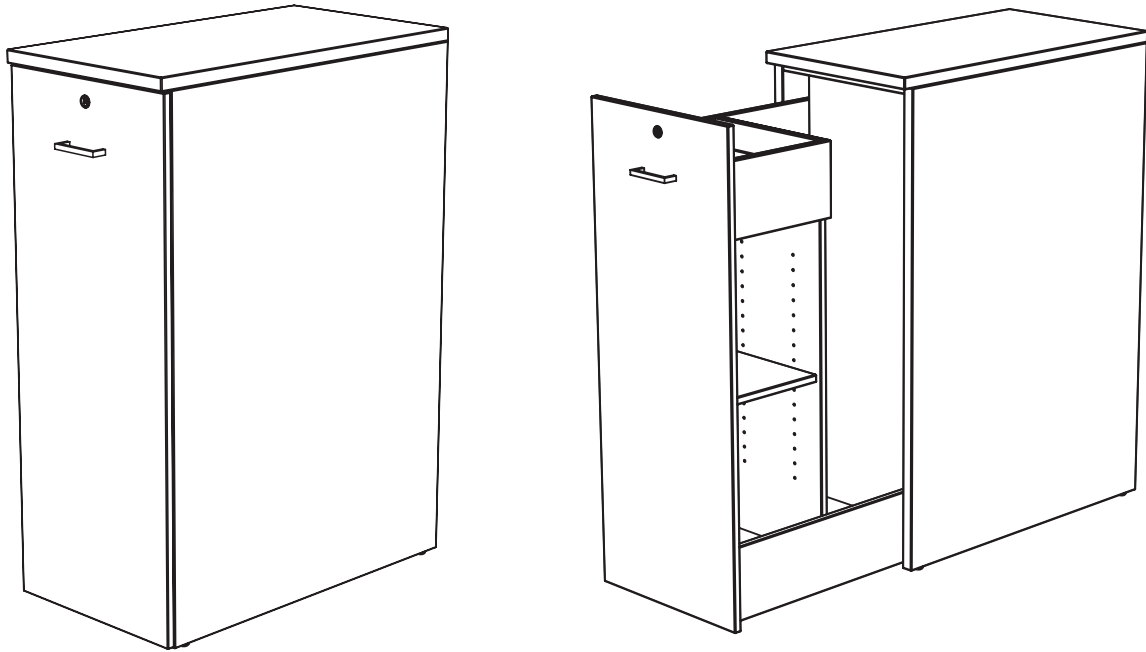
Drawer organizer insert made from Harmony acoustic material is available separately
two pages down

Code Matrix

Identification	Category	Item Description	Dimensions	No Top	Height	Hand
Bravo	Storage	Wardrobe Personal	Depth x Width	No Top	Height	Left / Right
B	S	WP	18 x 16	U	H28	L
BSWP1816UH28L						

Storage

► Personal Wardrobes



Product Code	Dimensions			List Price
	D	W	H	
BSWP2016H42_	20	16	42	\$ 1462
BSWP2416H42_	24	16	42	\$ 1640
BSWP3016H42_	30	16	42	\$ 1864

* specify "L" or "R" for left or right in the space of the code above when placing your order
image above is a left hand unit ("L")

About this product

- Interior of drawer is white laminate
- Includes one hook, one adjustable shelf
- Drawer locks
- Shipped assembled

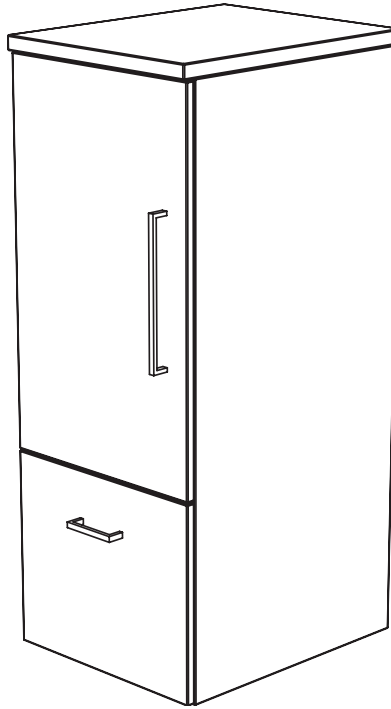
Drawer organizer insert made from Harmony acoustic material is available separately two pages down

Code Matrix

Identification	Category	Item Description	Dimensions	Height	Hand
Bravo	Storage	Wardrobe Personal	Depth x Width	Height	Left / Right
B	S	WP	20 x 16	H42	L
└──────────┬──────────┬──────────┬──────────┬──────────┬──────────┘					
BSWP2016H42L					

Storage

► Personal Storage



Product Code	Dimensions			List Price
	D	W	H	
BSP2016H42_	20	16	42	\$ 861
BSP2416H42_	24	16	42	\$ 944

* specify "L" or "R" for left or right in the space of the code above when placing your order
 image above is a left hand unit ("L")

About this product

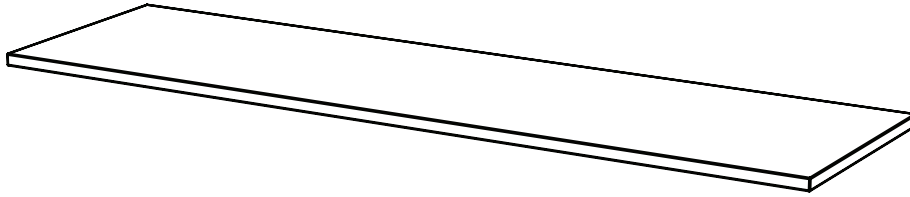
- One adjustable shelf in upper storage section
- File drawer in lower section
- Door and drawer do not lock
- Shipped assembled
- File drawers are meant for hanging files only

Code Matrix

Identification	Category	Item Description	Dimensions	Height	Hand
Bravo	Storage	Personal Storage	Depth x Width	Height	Left / Right
B	S	P	20 x 16	H42	L
└──────────────────┬──────────────────┬──────────────────┬──────────────────┬──────────────────┬──────────────────┘					
BSP2016H42L					

Storage

▶ Storage Tops



Product Code	Dimensions			List Price
	D	W	H	
BS1830T	18	30	1	\$ 138
BS1836T	18	36	1	\$ 161
BS1860T	18	60	1	\$ 254
BS1866T	18	66	1	\$ 277
BS1872T	18	72	1	\$ 298
BS2030T	20	30	1	\$ 147
BS2036T	20	36	1	\$ 170
BS2060T	20	60	1	\$ 291
BS2066T	20	66	1	\$ 317
BS2072T	20	72	1	\$ 317
BS2430T	24	30	1	\$ 168
BS2436T	24	36	1	\$ 199
BS2460T	24	60	1	\$ 338
BS2466T	24	66	1	\$ 358
BS2472T	24	72	1	\$ 378

About this product

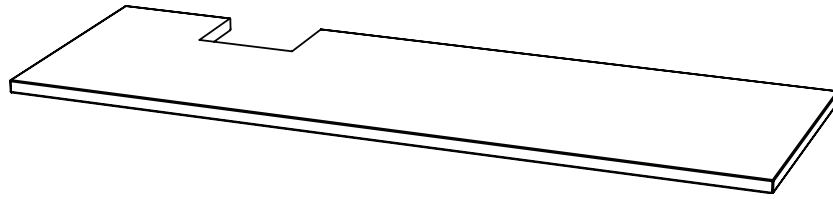
- Assembly hardware for attachment is included

Code Matrix

Identification	Category	Dimensions	Suffix
Bravo B	Storage S	Depth x Width 20 x 72	Top Only T
<div style="display: flex; justify-content: space-between; align-items: center;"> BS2072T </div>			

Storage

▶ Storage Tops Notched



Product Code	Dimensions			List Price
	D	W	H	
BS1830T-_CU	18	30	1	\$ 138
BS1836T-_CU	18	36	1	\$ 161
BS1860T-_CU	18	60	1	\$ 254
BS1866T-_CU	18	66	1	\$ 277
BS1872T-_CU	18	72	1	\$ 298
BS2030T-_CU	20	30	1	\$ 147
BS2036T-_CU	20	36	1	\$ 170
BS2060T-_CU	20	60	1	\$ 291
BS2066T-_CU	20	66	1	\$ 317
BS2072T-_CU	20	72	1	\$ 317
BS2430T-_CU	24	30	1	\$ 168
BS2436T-_CU	24	36	1	\$ 199
BS2460T-_CU	24	60	1	\$ 338
BS2466T-_CU	24	66	1	\$ 358
BS2472T-_CU	24	72	1	\$ 378

* Specify "L" or "R" for left or right in the space of the code above when placing your order
 image above is a left hand unit ("L")

About this product

- Assembly hardware for attachment is included

Code Matrix

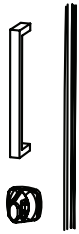
Identification	Category	Dimensions	Suffix	Hand	Cutout
Bravo	Storage	Depth x Width	Top Only	Left / Right	Cutout
B	S	20 x 36	T	L	CU
┌──────────┴──────────┬──────────┴──────────┬──────────┴──────────┬──────────┴──────────┬──────────┴──────────┬──────────┴──────────┘					
BS2036T-LCU					

Lockers

Lockers

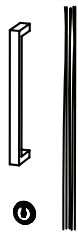
▶ Lock Options

Hasp Lock



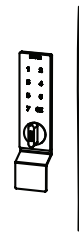
- **DEFAULT LOCK** if no other lock is specified
- requires user to provide their own padlock
- includes hasp lock and handle

Key Lock



- to order add suffix "**-KL**" to the end of the code
- includes key lock, 2 keys and handle

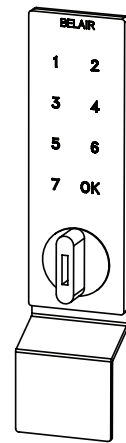
Digital Lock



- to order add suffix "**-DL**" to the end of the code
- includes digital lock and integrated handle
- Master Keys can be added to any locker order

▶ Digital Lock Details

- Versatile programming allows for seamless adaptation to both assigned and shared use. By default, the lock is programmed for assigned use but can be changed on site.
- Following four unsuccessful attempts, the system initiates a 60-second lockout period for enhanced security.
- A low-voltage warning system activates a vibrant red LED indicator, signaling the need for battery replacement.
- Swift battery replacement is facilitated by easily accessible compartments, ensuring minimal downtime.
- The system is offered in classic black with a seamlessly integrated handle. This not only enhances functionality but maintains a sleek and professional aesthetic to complement any environment.
- For streamlined maintenance, a Master Key option is available for administrative ease. (See below)



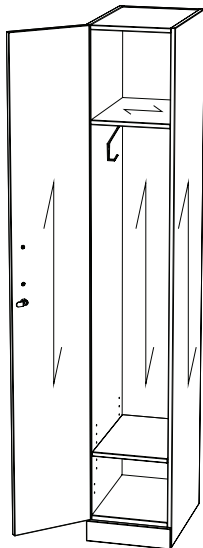
Digital Lock Master Key

920-DIGLK-MKEY

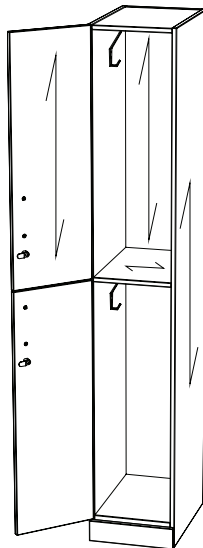
List Price

\$ 17

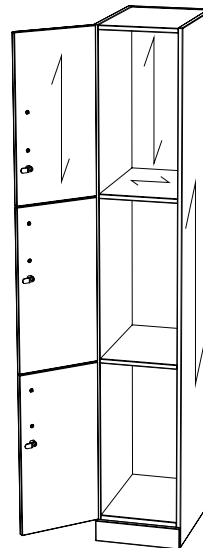
▶ Locker Configurations & Grain Directions



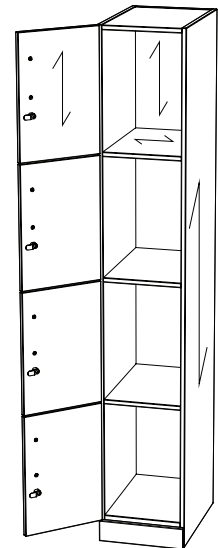
1 Tier



2 Tier



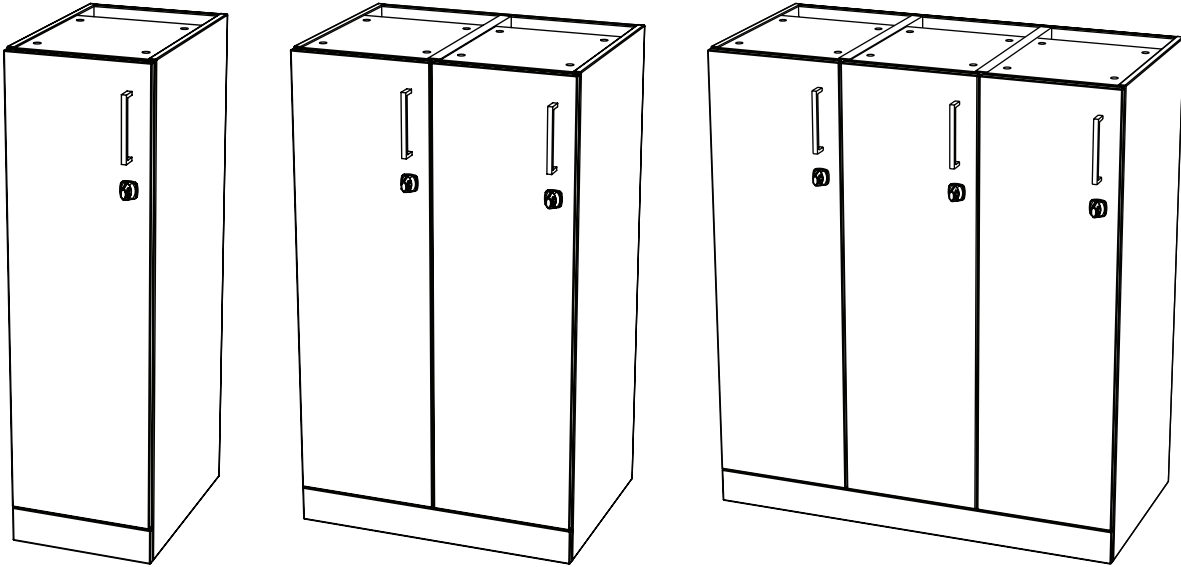
3 Tier



4 Tier

Lockers

▶ 1 Tier with Laminate Base 41" High No Top



Product Code		Dimensions			List Price
		D	W	H	
BSL1812H41T1U	1 Bank	18	12	41	\$ 768
BSL1824H41T1U	2 Bank	18	24	41	\$ 1369
BSL1836H41T1U	3 Bank	18	36	41	\$ 1715

About this product

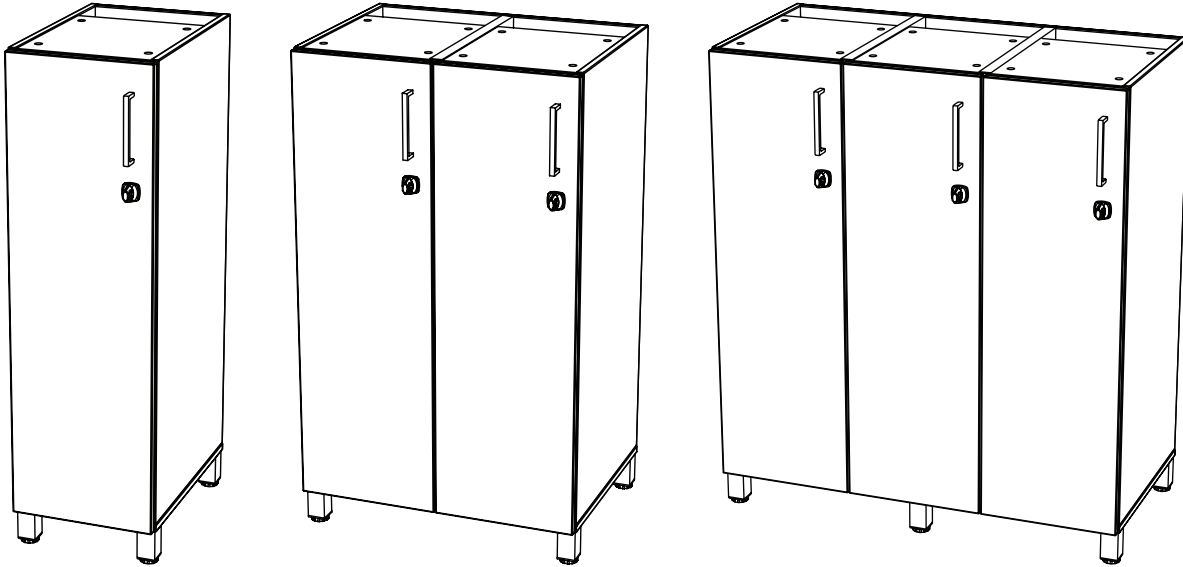
- Storage lockers with laminate kick panel
- Locks meant for use with personal padlocks
- For lock options see page 84
- Internal storage height per cubby is 36-3/4"
- One adjustable shelf and two hooks
- Shipped assembled

Code Matrix

Identification	Category	Item Description	Dimensions	Quantity	Top Specified
Bravo	Storage	Locker	Depth x Width x Height	Tiers	No Top
B	S	L	18 x 12 x 41	T1	U
BSL1812H41T1U					

Lockers

▶ 1 Tier with Metal Feet 41" High No Top



Product Code		Dimensions			List Price
		D	W	H	
BSL1812H41T1UMF	1 Bank	18	12	41	\$ 798
BSL1824H41T1UMF	2 Bank	18	24	41	\$ 1387
BSL1836H41T1UMF	3 Bank	18	36	41	\$ 1921

About this product

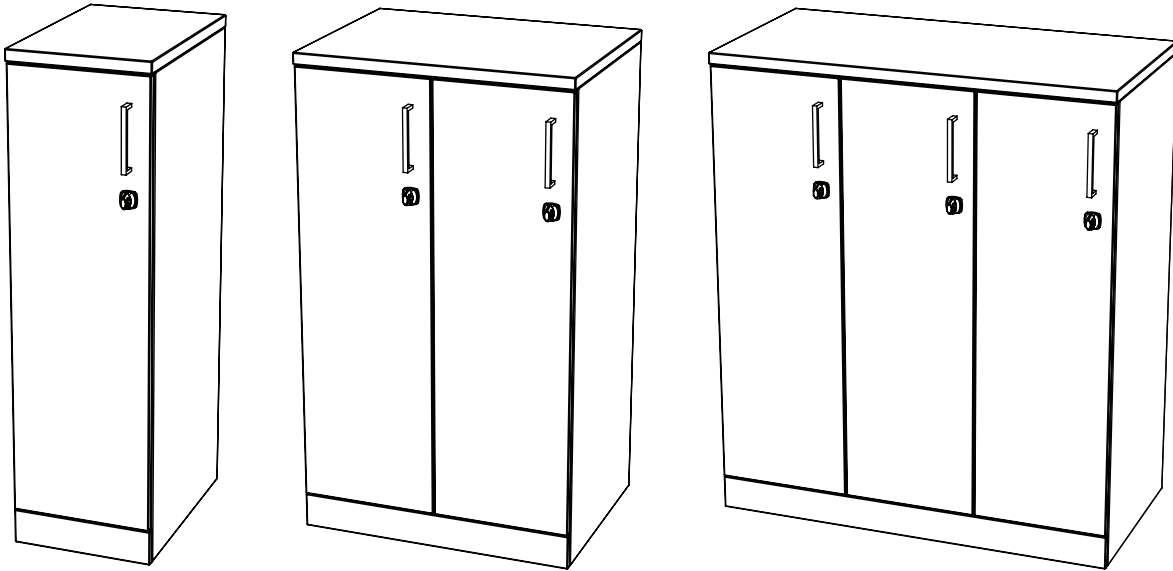
- Storage lockers with grey metal feet
- Locks meant for use with personal padlocks
- For lock options see page 84
- Internal storage height per cubby is 36-3/4"
- One adjustable shelf and two hooks
- Shipped assembled

Code Matrix

Identification	Category	Item Description	Dimensions	Quantity	Top Specified	Suffix
Bravo	Storage	Locker	Depth x Width x Height	Tiers	No Top	Metal Feet
B	S	L	18 x 12 x 41	T1	U	MF
BSL1812H41T1UMF						

Lockers

► **1 Tier with Laminate Base
42” High With Top**



Product Code		Dimensions			List Price
		D	W	H	
BSL1812H42T1	1 Bank	18	12	42	\$ 811
BSL1824H42T1	2 Bank	18	24	42	\$ 1410
BSL1836H42T1	3 Bank	18	36	42	\$ 1904

About this product

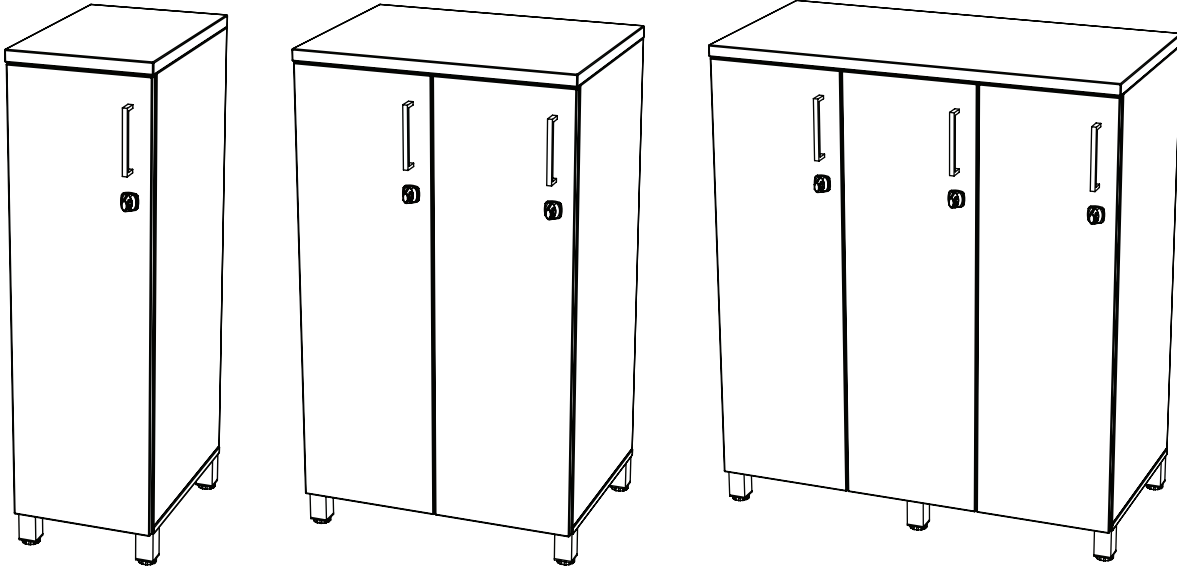
- Storage lockers with laminate kick panel
- Locks meant for use with personal padlocks
- For lock options see page 84
- Internal storage height per cubby is 36-3/4"
- One adjustable shelf and two hooks
- Shipped assembled

Code Matrix

Identification	Category	Item Description	Dimensions	Quantity
Bravo	Storage	Locker	Depth x Width x Height	Tiers
B	S	L	18 x 12 x 42	T1
----- ----- ----- ----- -----				
		BSL1812H42T1		

Lockers

▶ 1 Tier with Metal Feet 42" High With Top



Product Code		Dimensions			List Price
		D	W	H	
BSL1812H42T1MF	1 Bank	18	12	42	\$ 824
BSL1824H42T1MF	2 Bank	18	24	42	\$ 1427
BSL1836H42T1MF	3 Bank	18	36	42	\$ 1967

About this product

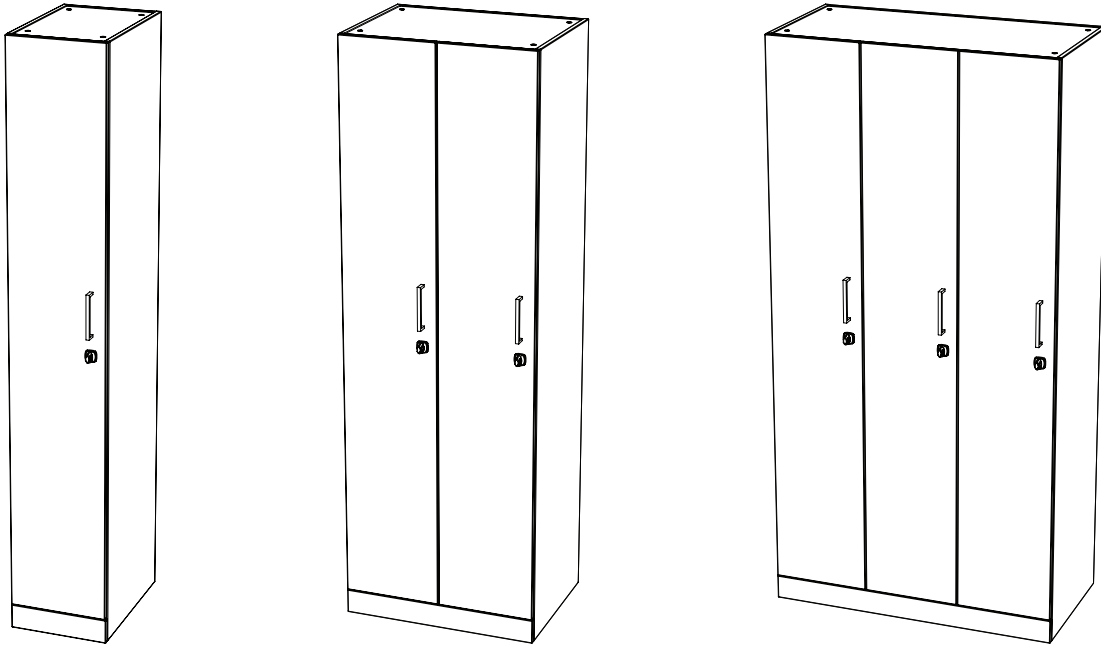
- Storage lockers with grey metal feet
- Locks meant for use with personal padlocks
- For lock options see page 84
- Internal storage height per cubby is 36-3/4"
- One adjustable shelf and two hooks
- Shipped assembled

Code Matrix

Identification	Category	Item Description	Dimensions	Quantity	Suffix
Bravo	Storage	Locker	Depth x Width x Height	Tiers	Metal Feet
B	S	L	18 x 12 x 42	T1	MF
└──────────────────┴──────────────────┬──────────────────┴──────────────────┘ BSL1812H42T1MF					

Lockers

► 1 Tier with Laminate Base



Product Code		Dimensions			List Price
		D	W	H	
BSL1812H72T1	1 Bank	18	12	72	\$ 1068
BSL1824H72T1	2 Bank	18	24	72	\$ 1882
BSL1836H72T1	3 Bank	18	36	72	\$ 2566

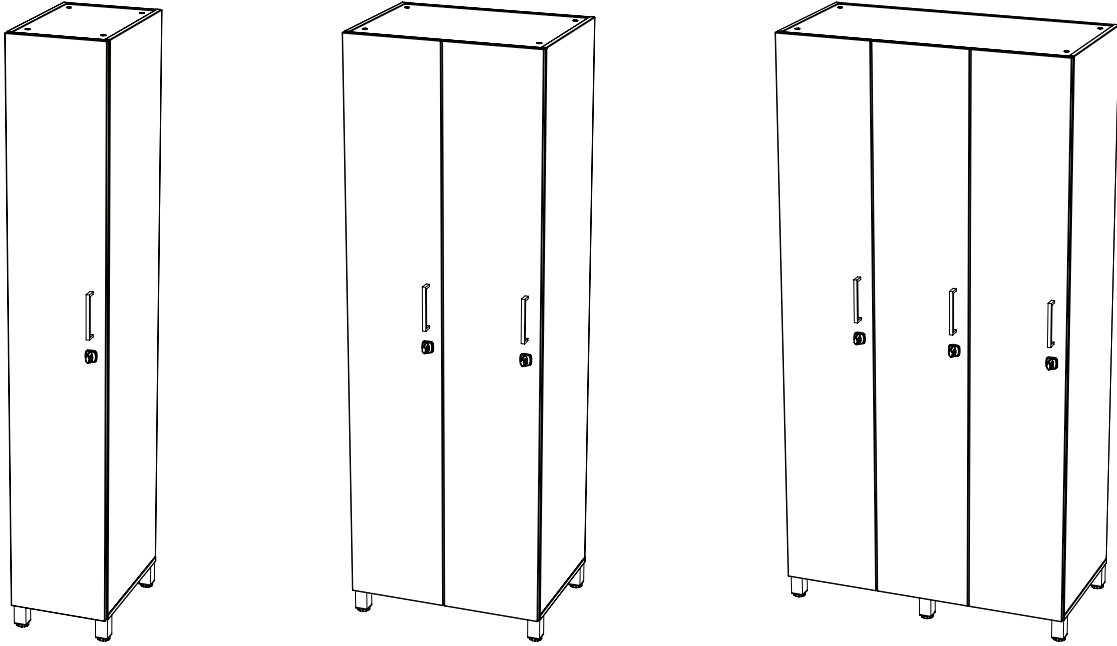
About this product

- Storage lockers with laminate kick panel
- Locks meant for use with personal padlocks
- For lock options see page 84
- Internal storage height per cubby is 55"
- One adjustable shelf, one fixed shelf with 12" storage above and two hooks
- Shipped assembled

Code Matrix				
Identification	Category	Item Description	Dimensions	Quantity
Bravo	Storage	Locker	Depth x Width x Height	Tiers
B	S	L	18 x 12 x 72	T1
┌──────────────────────────────────┴──────────────────────────────────┐				
BSL1812H72T1				

Lockers

► 1 Tier with Metal Feet



Product Code		Dimensions			List Price
		D	W	H	
BSL1812H72T1MF	1 Bank	18	12	72	\$ 1086
BSL1824H72T1MF	2 Bank	18	24	72	\$ 1898
BSL1836H72T1MF	3 Bank	18	36	72	\$ 2602

About this product

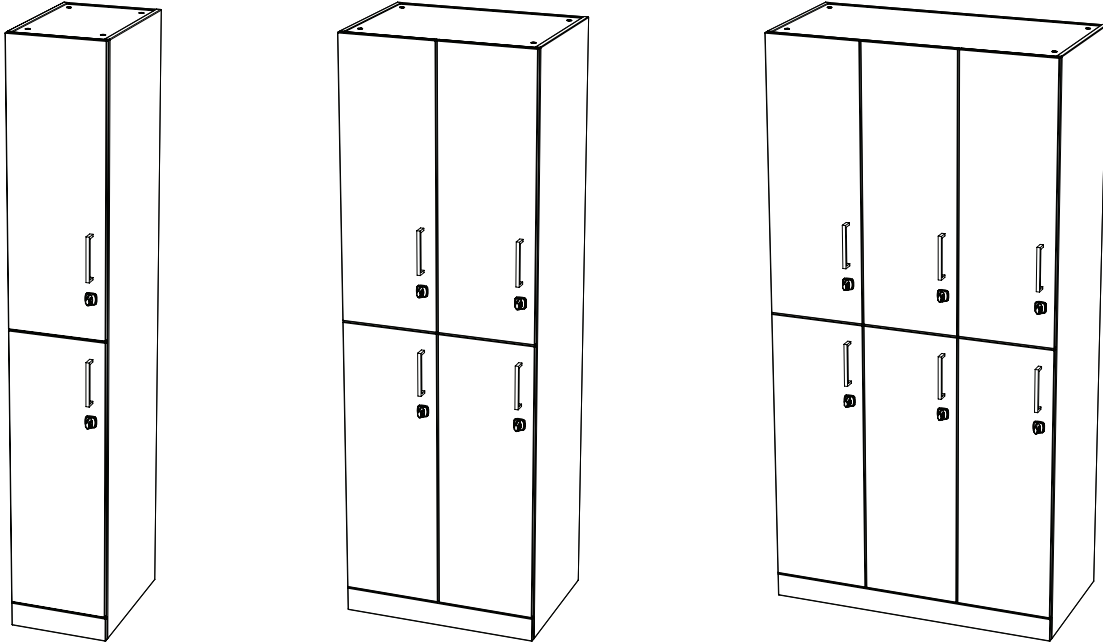
- Storage lockers with grey metal feet
- Locks meant for use with personal padlocks
- For lock options see page 84
- Internal storage height per cubby is 55"
- One adjustable shelf, one fixed shelf with 12" storage above and two hooks
- Shipped assembled

Code Matrix

Identification	Category	Item Description	Dimensions	Quantity	Suffix
Bravo	Storage	Locker	Depth x Width x Height	Tiers	Metal Feet
B	S	L	18 x 12 x 72	T1	MF
┌──────────┴──────────┬──────────┴──────────┬──────────┴──────────┬──────────┴──────────┬──────────┴──────────┬──────────┴──────────┐ BSL1812H72T1MF					

Lockers

▶ 2 Tier with Laminate Base



Product Code		Dimensions			List Price
		D	W	H	
BSL1812H72T2	1 Bank	18	12	72	\$ 1289
BSL1824H72T2	2 Bank	18	24	72	\$ 2331
BSL1836H72T2	3 Bank	18	36	72	\$ 3172

About this product

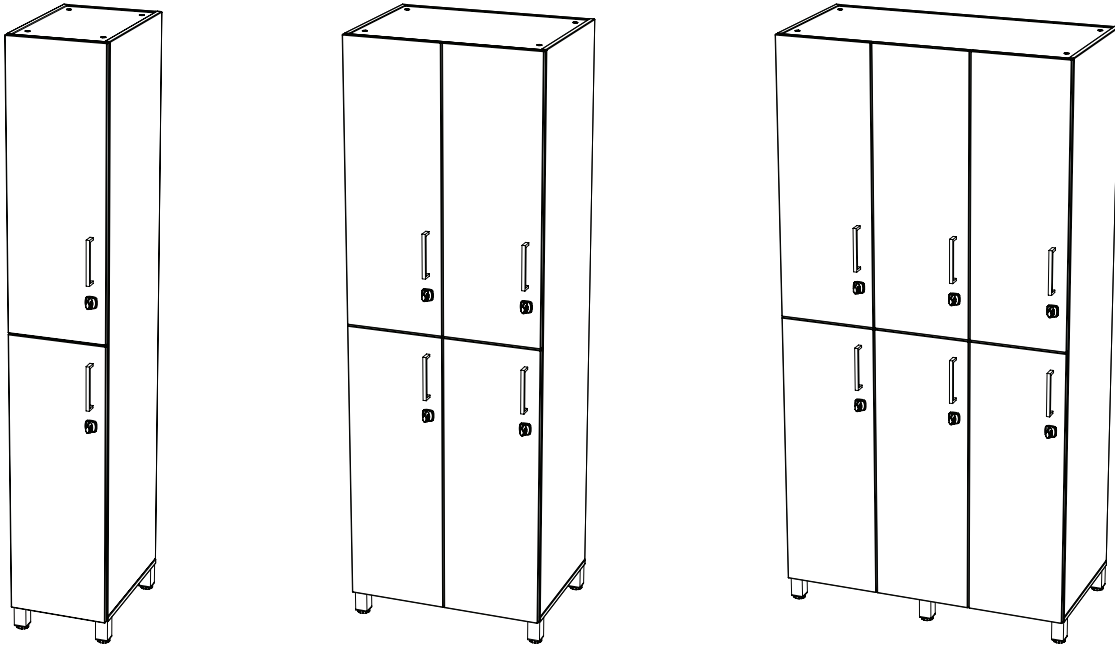
- Storage lockers with laminate kick panel
- Locks meant for use with personal padlocks
- For lock options see page 84
- Internal storage height per cubby is 33-1/2"
- Two hooks per cubby
- Shipped assembled

Code Matrix

Identification	Category	Item Description	Top Specified	Quantity
Bravo	Storage	Locker	Depth x Width x Height	Tiers
B	S	L	18 x 12 x 72	T2
┌──────────────────┴──────────────────┴──────────────────┘				
BSL1812H72T2				

Lockers

► 2 Tier with Metal Feet



Product Code		Dimensions			List Price
		D	W	H	
BSL1812H72T2MF	1 Bank	18	12	72	\$ 1307
BSL1824H72T2MF	2 Bank	18	24	72	\$ 2348
BSL1836H72T2MF	3 Bank	18	36	72	\$ 3228

About this product

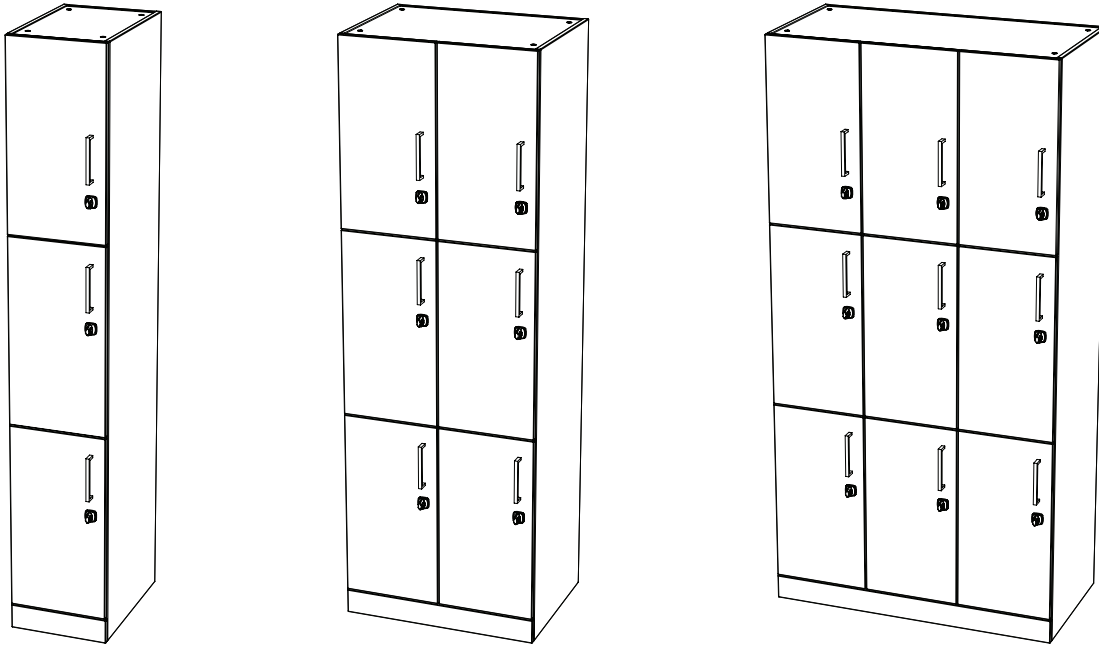
- Storage lockers with grey metal feet
- Locks meant for use with personal padlocks
- For lock options see page 84
- Internal storage height per cubby is 33-1/2"
- Two hooks per cubby
- Shipped assembled

Code Matrix

Identification	Category	Item Description	Dimensions	Quantity	Suffix
Bravo	Storage	Locker	Depth x Width x Height	Tiers	Metal Feet
B	S	L	18 x 12 x 72	T2	MF
┌──────────────────┴──────────────────┬──────────────────┴──────────────────┬──────────────────┴──────────────────┬──────────────────┴──────────────────┬──────────────────┴──────────────────┬──────────────────┴──────────────────┐					
BSL1812H72T2MF					

Lockers

▶ 3 Tier with Laminate Base



Product Code		Dimensions			Price
		D	W	H	
BSL1812H72T3	1 Bank	18	12	72	\$ 1371
BSL1824H72T3	2 Bank	18	24	72	\$ 2496
BSL1836H72T3	3 Bank	18	36	72	\$ 3407

About this product

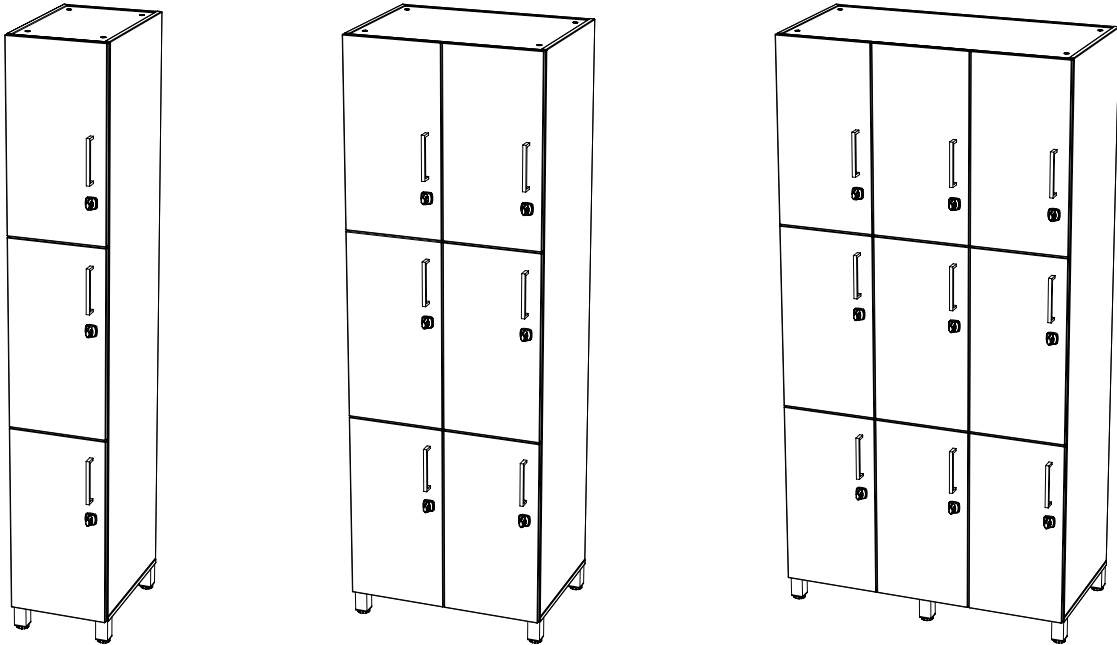
- Storage lockers with laminate kick panel
- Locks meant for use with personal padlocks
- For lock options see page 84
- Internal storage height per cubby is 22"
- Shipped assembled

Code Matrix

Identification	Category	Item Description	Top Specified	Quantity
Bravo	Storage	Locker	Depth x Width x Height	Tiers
B	S	L	18 x 12 x 72	T3
┌───────────────────┴───────────────────┘				
BSL1812H72T3				

Lockers

► 3 Tier with Metal Feet



Product Code		Dimensions			Price
		D	W	H	
BSL1812H72T3MF	1 Bank	18	12	72	\$ 1390
BSL1824H72T3MF	2 Bank	18	24	72	\$ 2513
BSL1836H72T3MF	3 Bank	18	36	72	\$ 3463

About this product

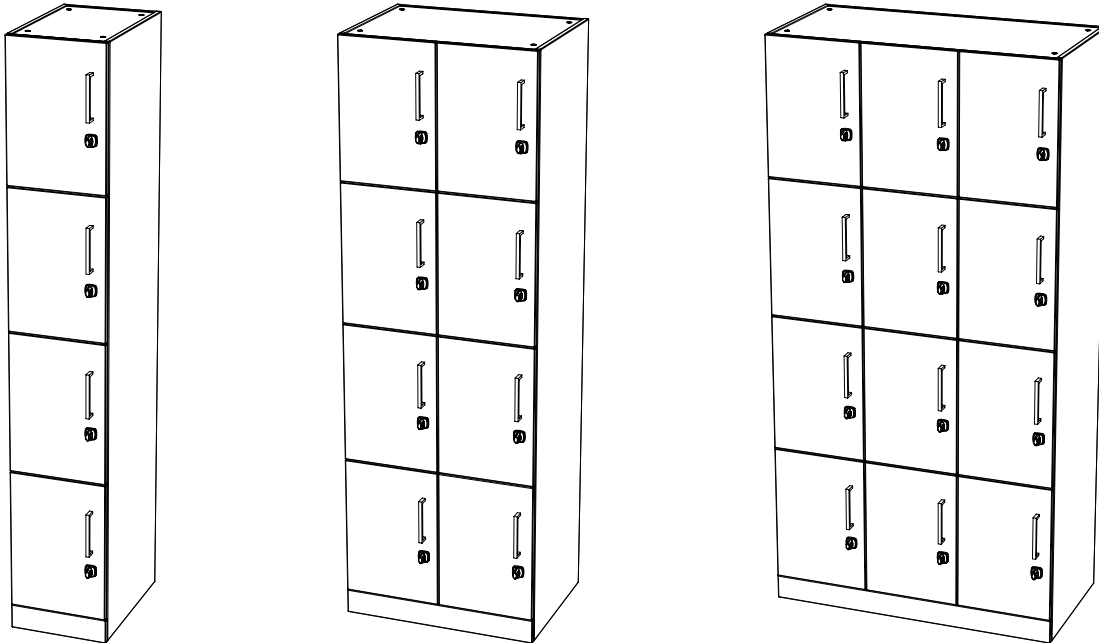
- Storage lockers with grey metal feet
- Locks meant for use with personal padlocks
- For lock options see page 84
- Internal storage height per cubby is 22"
- Shipped assembled

Code Matrix

Identification	Category	Item Description	Dimensions	Quantity	Suffix
Bravo	Storage	Locker	Depth x Width x Height	Tiers	Metal Feet
B	S	L	18 x 12 x 72	T3	MF
┌──────────────────┴──────────────────┬──────────────────┴──────────────────┬──────────────────┴──────────────────┬──────────────────┴──────────────────┬──────────────────┴──────────────────┬──────────────────┴──────────────────┐					
BSL1812H72T3MF					

Lockers

► 4 Tier with Laminate Base



Product Code		Dimensions			Price
		D	W	H	
BSL1812H72T4	1 Bank	18	12	72	\$ 1594
BSL1824H72T4	2 Bank	18	24	72	\$ 2908
BSL1836H72T4	3 Bank	18	36	72	\$ 4043

About this product

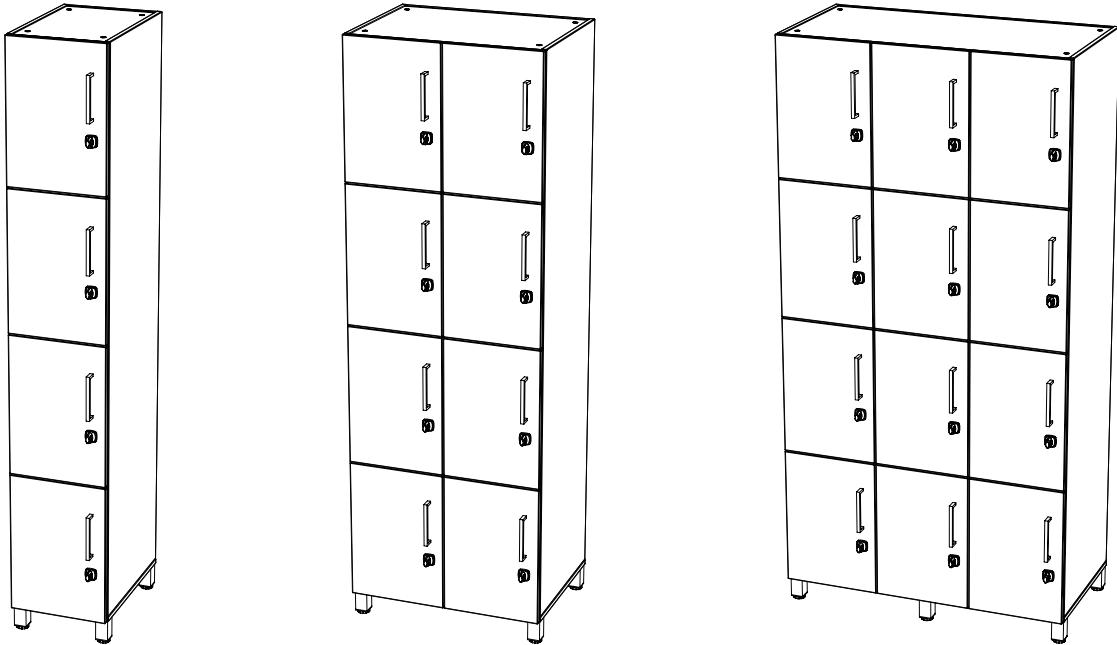
- Storage lockers with laminate kick panel
- Locks meant for use with personal padlocks
- For lock options see page 84
- Internal storage height per cubby is 16-1/4"
- Shipped assembled

Code Matrix

Identification	Category	Item Description	Top Specified	Quantity
Bravo	Storage	Locker	Depth x Width x Height	Tiers
B	S	L	18 x 12 x 72	T4
└──────────┬──────────┬──────────┬──────────┬──────────┘ BSL1812H72T4				

Lockers

► 4 Tier with Metal Feet



Product Code		Dimensions			Price
		D	W	H	
BSL1812H72T4MF	1 Bank	18	12	72	\$ 1605
BSL1824H72T4MF	2 Bank	18	24	72	\$ 2957
BSL1836H72T4MF	3 Bank	18	36	72	\$ 4099

About this product

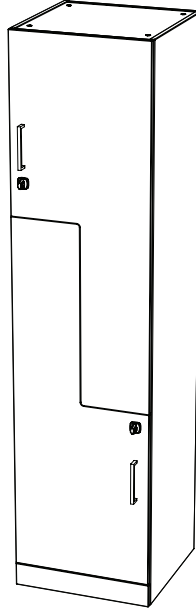
- Storage lockers with grey metal feet
- Locks meant for use with personal padlocks
- For lock options see page 84
- Internal storage height per cubby is 16-1/4"
- Shipped assembled

Code Matrix

Identification	Category	Item Description	Dimensions	Quantity	Suffix
Bravo	Storage	Locker	Depth x Width x Height	Tiers	Metal Feet
B	S	L	18 x 12 x 72	T4	MF
┌──────────┴──────────┬──────────┴──────────┬──────────┴──────────┬──────────┴──────────┬──────────┴──────────┬──────────┴──────────┐					
BSL1812H72T4MF					

Lockers

▶ S-Shape with Laminate Base



Product Code	Dimensions			List Price
	D	W	H	
BSL1818H72S2	18	18	72	\$ 1712

About this product

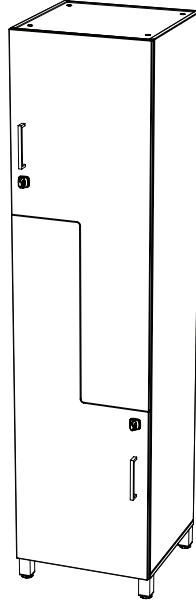
- Storage lockers with laminate kick panel
- Locks meant for use with personal padlocks
- For lock options see page 84
- Internal storage height per cubby is 45"
- Shipped assembled

Code Matrix

Identification	Category	Item Description	Top Specified	Quantity
Bravo	Storage	Locker	Depth x Width x Height	Tiers
B	S	L	18 x 18 x 72	S2
└──────────────────────────────────┴──────────────────────────────────┘ BSL1818H72S2				

Lockers

► S-Shape with Metal Feet



Product Code	Dimensions			List Price
	D	W	H	
BSL1818H72S2MF	18	18	72	\$ 1736

About this product

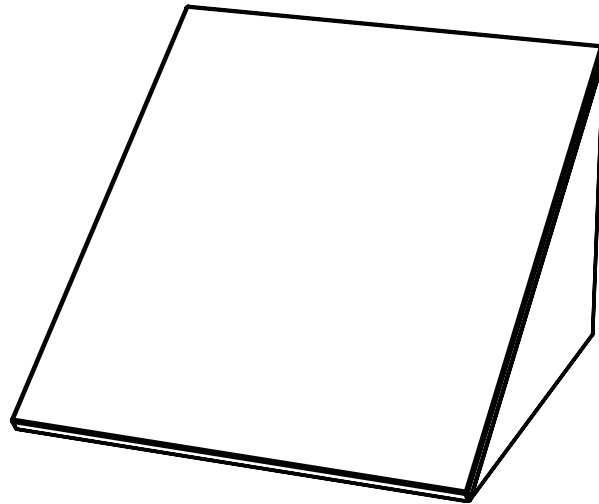
- Storage lockers with grey metal feet
- Locks meant for use with personal padlocks
- For lock options see page 84
- Internal storage height per cubby is 45"
- Shipped assembled

Code Matrix

Identification	Category	Item Description	Dimensions	Quantity	Suffix
Bravo	Storage	Locker	Depth x Width x Height	Tiers	Metal Feet
B	S	L	18 x 18 x 72	S2	MF
┌──────────┴──────────┬──────────┬──────────┬──────────┬──────────┐ BSL1818H72S2MF					

Lockers

▶ Angled Toppers



Product Code	Dimensions			List Price
	D	W	H	
BSL1812AT	18	12	12	\$ 145
BSL1818AT	18	18	12	\$ 170
BSL1824AT	18	24	12	\$ 194
BSL1836AT	18	36	12	\$245

About this product

- Angled tops to place on top of existing lockers
- Attaches to lockers using double-sided tape
- Order according to the dimensions of your locker

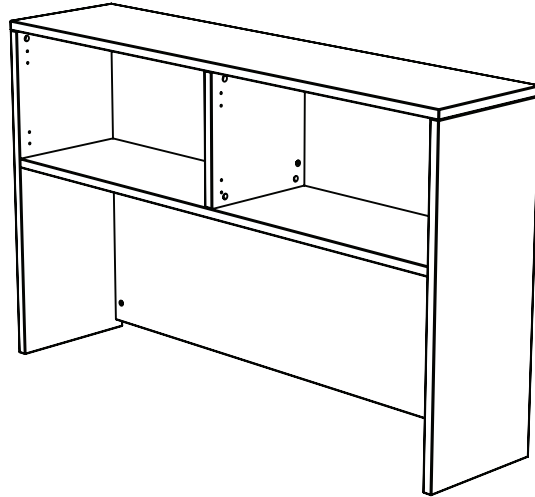
Code Matrix

Identification	Category	Item Description	Dimensions	Suffix
Bravo	Storage	Locker	Depth x Width	Angled Top
B	S	L	18 x 12	AT
┌──────────────────┴──────────────────┬──────────────────┴──────────────────┐ BSL1812AT				

Hutches

Hutches

▶ Surface Mount Hutches Open



Product Code	Dimensions			List Price
	D	W	H	
BH3730	14	30	37	\$ 717
BH3736	14	36	37	\$ 744
BH3748	14	48	37	\$ 804
BH3754	14	54	37	\$ 859
BH3760	14	60	37	\$ 870
BH3766	14	66	37	\$ 907
BH3772	14	72	37	\$ 943

About this product

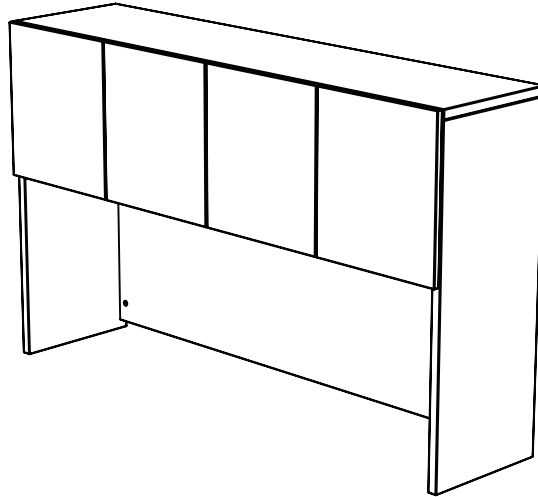
- Shipped assembled
- 48" and above have a center divider
- 30" & 36" have no divider
- All hutches come with hinge hole placement drilled for the option of adding doors later
- Back raised 1" for cable management

Code Matrix

Identification	Category	Dimensions
Bravo B	Hutch H	Height x Width 37 x 72
└───────────────────────────┬───────────────────────────┘ BH3772		

Hutches

▶ Surface Mount Hutches With Doors



Product Code	Dimensions			List Price
	D	W	H	
BH3730D	15	30	37	\$ 908
BH3736D	15	36	37	\$ 998
BH3742D	15	42	37	\$ 1037
BH3748D	15	48	37	\$ 1077
BH3754D	15	54	37	\$ 1120
BH3760D	15	60	37	\$ 1163
BH3766D	15	66	37	\$ 1209
BH3772D	15	72	37	\$ 1253

About this product

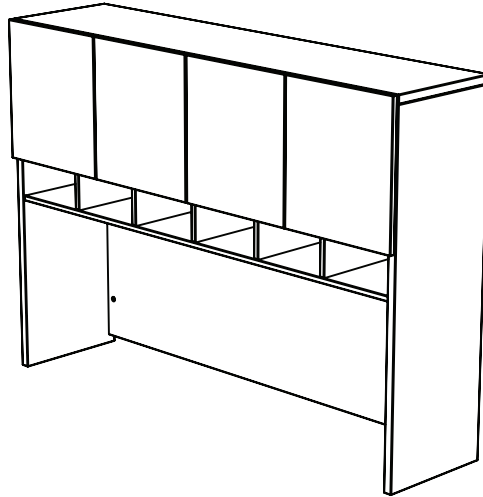
- Shipped assembled
- 30" & 36" have no divider and two doors
- 42" hutch has an off center divider and three doors
- 48" and above have a center divider and four doors
- Back raised 1" for cable management
- To add locks on all doors, add \$125 to the list price and "-LOC" to the end of the product code

Code Matrix

Identification	Category	Dimensions	Suffix
Bravo B	Hutch H	Height x Width 37 x 72	With Doors D
<div style="display: flex; justify-content: space-between; align-items: center;"> </div>			

Hutches

▶ Surface Mount Hutches Combo With Doors



Product Code	Dimensions			List Price
	D	W	H	
BHC4360D	15	60	43	\$ 1390
BHC4366D	15	66	43	\$1444
BHC4372D	15	72	43	\$1518

About this product

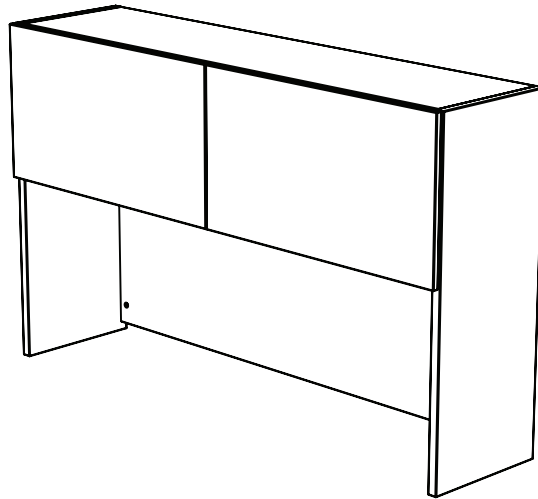
- Shipped assembled
- Back raised 1" for cable management
- To add locks on all doors, add \$125 to the list price and "-LOC" to the end of the product code

Code Matrix

Identification	Category	Item Description	Dimensions	Suffix
Bravo	Hutch	Combo	Height x Width	With Doors
B	H	C	43 x 60	D
				
BHC4360D				

Hutches

▶ Surface Mount Hutches With Flipper Doors



Product Code	Dimensions			List Price
	D	W	H	
BH3730FD	15	30	37	\$ 950
BH3736FD	15	36	37	\$ 950
BH3742FD	15	42	37	\$ 1136
BH3748FD	15	48	37	\$ 1188
BH3754FD	15	54	37	\$ 1325
BH3760FD	15	60	37	\$ 1376
BH3766FD	15	66	37	\$ 1431
BH3772FD	15	72	37	\$ 1483

About this product

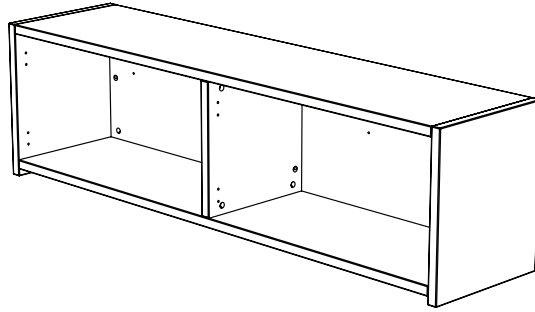
- Shipped assembled
- 30" & 36" have no divider and one door
- Back raised 1" for cable management
- To add locks on all doors, add \$125 to the list price and "-LOC" to the end of the product code

Code Matrix

Identification	Category	Dimensions	Suffix
Bravo	Hutch	Height x Width	With Flipper Doors
B	H	37 x 72	FD
┌──────────────────┴──────────────────┬──────────────────┴──────────────────┐ BH3772FD			

Hutches

▶ Wallmount Hutches Open



Product Code	Dimensions			List Price
	D	W	H	
BHW1730	14	30	17	\$ 369
BHW1736	14	36	17	\$ 412
BHW1748	14	48	17	\$ 534
BHW1754	14	54	17	\$ 578
BHW1760	14	60	17	\$ 624

About this product

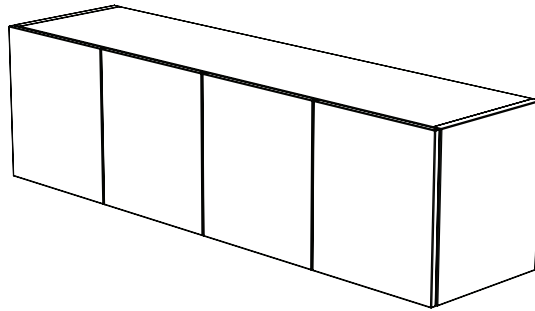
- Attached to the wall using cleats (wall attachment hardware is not included)
- Shipped assembled
- 48" and above have a center divider
- 30" & 36" have no divider
- All hutches come with hinge hole placement drilled for the option of adding doors later

Code Matrix

Identification	Category	Item Description	Dimensions
Bravo	Hutch	Wall Mount	Height x Width
B	H	W	17 x 30
┌──────────────────┴──────────────────┬──────────────────┴──────────────────┐ BHW1730			

Hutches

▶ Wallmount Hutches With Doors



Product Code	Dimensions			List Price
	D	W	H	
BHW1730D	15	30	17	\$ 529
BHW1736D	15	36	17	\$ 582
BHW1742D	15	42	17	\$ 723
BHW1748D	15	48	17	\$ 830
BHW1754D	15	54	17	\$ 891
BHW1760D	15	60	17	\$ 940

About this product

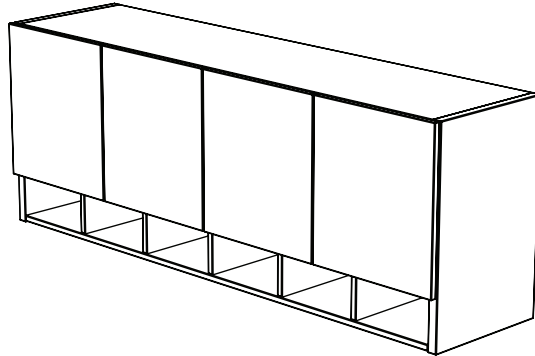
- Attached to the wall using cleats (wall attachment hardware is not included)
- Shipped assembled
- 48" and above have a center divider and four doors
- 42" hutch has an off center divider and three doors
- 30" & 36" have no divider and two doors
- To add locks on all doors, add \$125 to the list price and "-LOC" to the end of the product code

Code Matrix

Identification	Category	Item Description	Dimensions	Suffix
Bravo	Hutch	Wall Mount	Height x Width	With Doors
B	H	W	17 x 30	D
┌──────────────────────────────────┴──────────────────────────────────┐				
BHW1730D				

Hutches

▶ Wallmount Hutches Combo With Doors



Product Code	Dimensions			List Price
	D	W	H	
BHWC2230D	15	30	22	\$ 631
BHWC2236D	15	36	22	\$ 711
BHWC2242D	15	42	22	\$ 891
BHWC2248D	15	48	22	\$ 1037
BHWC2254D	15	54	22	\$ 1109
BHWC2260D	15	60	22	\$ 1182

About this product

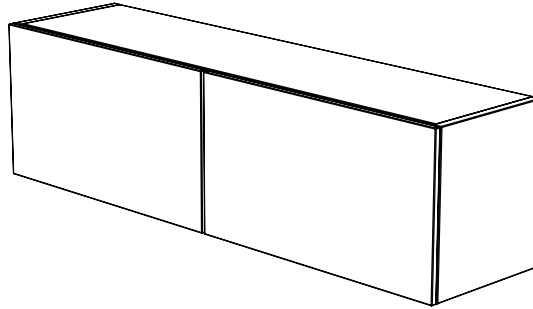
- Attached to the wall using cleats (wall attachment hardware is not included)
- Shipped assembled
- 48" and above have a center divider and four doors
- 42" hutch has an off center divider and three doors
- 30" & 36" have no divider and two doors
- To add locks on all doors, add \$125 to the list price and "-LOC" to the end of the product code

Code Matrix

Identification	Category	Item	Item Description	Dimensions	Suffix
Bravo	Hutch	Wall Mount	Combo	Height x Width	With Doors
B	H	W	C	22 x 30	D
----- ----- ----- ----- ----- -----					
BHWC2230D					

Hutches

▶ Wallmount Hutches With Flipper Doors



Product Code	Dimensions			List Price
	D	W	H	
BHW1730FD	15	30	17	\$ 659
BHW1736FD	15	36	17	\$ 728
BHW1742FD	15	42	17	\$ 1045
BHW1748FD	15	48	17	\$ 1111
BHW1754FD	15	54	17	\$ 1153
BHW1760FD	15	60	17	\$ 1244

About this product

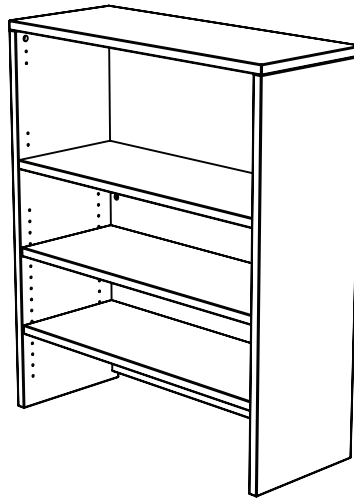
- Attached to the wall using cleats (wall attachment hardware is not included)
- Shipped assembled
- 42" and above have a center divider and two doors
- 30" & 36" have no divider and one door
- To add locks on all doors, add \$125 to the list price and "-LOC" to the end of the product code

Code Matrix

Identification	Category	Item Description	Dimensions	Suffix
Bravo	Hutch	Wall Mount	Height x Width	With Flipper Doors
B	H	W	17 x 30	FD
┌───────────┴───────────┬───────────┴───────────┬───────────┴───────────┬───────────┴───────────┬───────────┴───────────┐				
BHW1730FD				

Hutches

▶ Storage Mount Hutches Open



Product Code	Dimensions			List Price
	D	W	H	
BHS4330	14	30	43	\$ 738
BHS4336	14	36	43	\$ 827

About this product

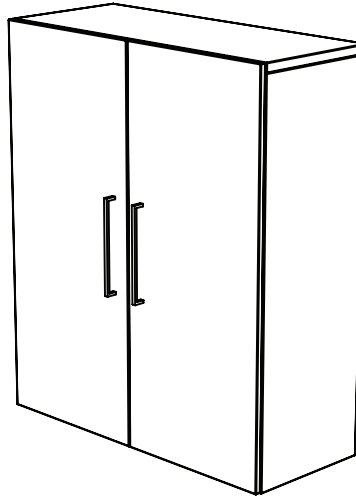
- Shipped assembled
- Two adjustable shelves, one fixed shelf
- All hutches come with hinge hole placement drilled for the option of adding doors later
- Back raised 1" for cable management

Code Matrix

Identification	Category	Item Description	Dimensions
Bravo B	Hutch H	Storage S	Height x Width 43 x 30
<div style="display: flex; justify-content: space-between; width: 100%; border-top: 1px solid black; border-bottom: 1px solid black;"> BHS4330 </div>			

Hutches

▶ Storage Mount Hutches With Full Doors



Product Code	Dimensions			List Price
	D	W	H	
BHS4330D	15	30	43	\$ 1048
BHS4336D	15	36	43	\$ 1164

About this product

- Shipped assembled
- Two adjustable shelves, one fixed shelf
- Back raised 1" for cable management

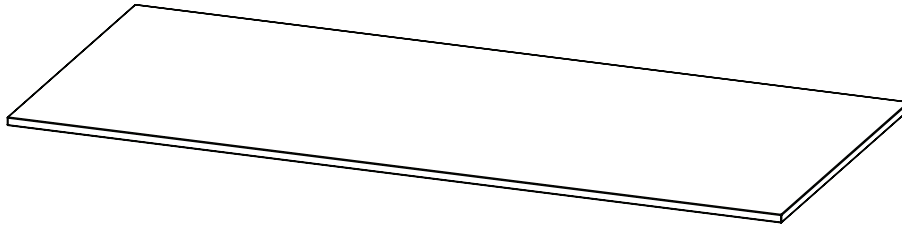
Code Matrix

Identification	Category	Item Description	Dimensions	Suffix
Bravo	Hutch	Storage	Height x Width	With Doors
B	H	S	43 x 30	D
┌──────────────────┴──────────────────┬──────────────────┴──────────────────┐ BHS4330D				

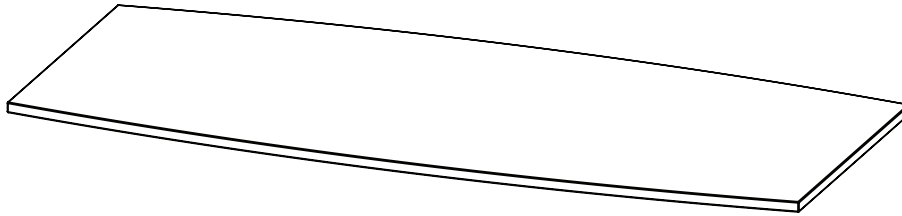
Conference Tables

Conference Tables

► Table Tops 1" Thick



Straight Shape



Boatshape

Product Code	Dimensions			List Price	
	D	L	H	Straight	Boatshape
BTB36072_T25	36	72	1	\$ 484	\$ 496
BTB42072_T25	42	72	1	\$ 558	\$ 573
BTB42096_T25	42	96	1	\$ 739	\$ 758
BTB42120_T25	42	120	1	\$ 943	\$ 967
BTB42144_T25	42	144	1	\$ 1123	\$ 1152
BTB48096_T25	48	96	1	\$ 839	\$ 860
BTB48120_T25	48	120	1	\$ 1070	\$ 1097
BTB48144_T25	48	144	1	\$ 1275	\$ 1306

About this product

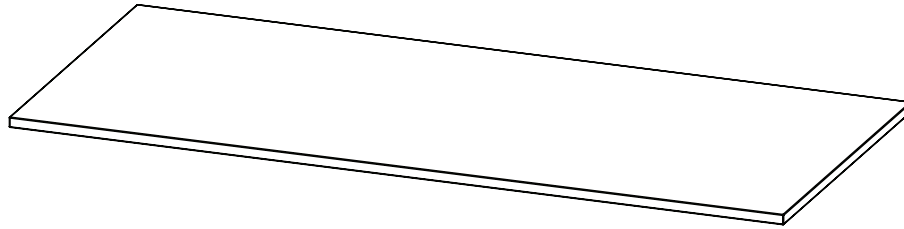
- Sizes over 96" will be two piece tops
- Base styles are available for sale separately
- Insert an "S" for straight or a "B" for a boatshape top; see pricing accordingly
- All attachment hardware is included with the selected base
- Adding a power module: one piece tops require one module with a standard centered placement, and two piece tops require two modules centered in each top for standard placement. If you are ordering a different quantity or require a different placement there is an upcharge (specified in the Electrics catalogue).
- Shipped ready to assemble

Code Matrix

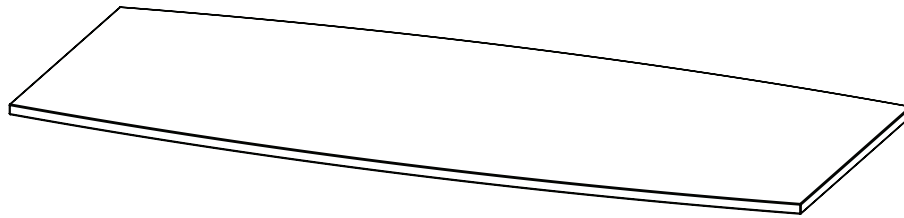
Identification	Category	Item Description	Dimensions	Top Shape	Suffix
Bravo	Tables	Boardroom	Depth x Length	Straight / Boatshape	1" Top
B	T	B	36 x 72	S / B	T25
└──────────────────┬──────────────────┬──────────────────┬──────────────────┬──────────────────┬──────────────────┘					
BTB42096BT25					

Conference Tables

► Table Tops 1-1/4" Thick



Straight Shape



Boatshape

Product Code	Dimensions			List Price	
	D	L	H	Straight	Boatshape
BTB36072_T	36	72	1-1/4	\$ 533	\$ 590
BTB42072_T	42	72	1-1/4	\$ 610	\$ 675
BTB42096_T	42	96	1-1/4	\$ 800	\$ 885
BTB42120_T	42	120	1-1/4	\$ 1011	\$ 1119
BTB42144_T	42	144	1-1/4	\$ 1199	\$ 1328
BTB48096_T	48	96	1-1/4	\$ 900	\$ 997
BTB48120_T	48	120	1-1/4	\$ 1138	\$ 1259
BTB48144_T	48	144	1-1/4	\$ 1350	\$ 1494

About this product

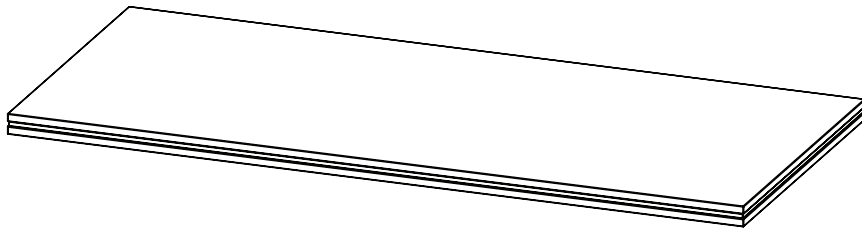
- Sizes over 96" will be two piece tops
- Base styles are available for sale separately
- Insert an "S" for straight or a "B" for a boatshape top; see pricing accordingly
- If using your own base, please connect with the Belair team to ensure it will fit properly
- All attachment hardware is included with the selected base
- Adding a power module: one piece tops require one module with a standard centered placement, and two piece tops require two modules centered in each top for standard placement. If you are ordering a different quantity or require a different placement there is an upcharge (specified in the Electrics catalogue).
- Shipped ready to assemble

Code Matrix

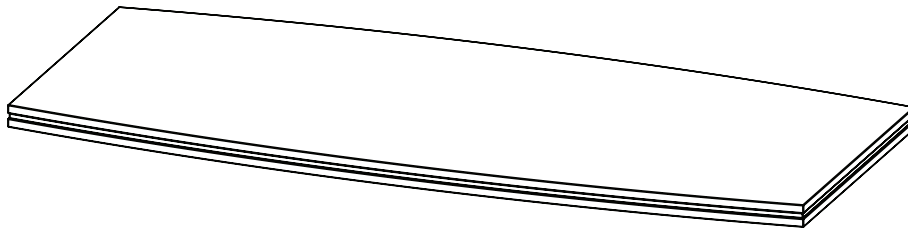
Identification	Category	Item Description	Dimensions	Top Shape	Suffix
Bravo	Tables	Boardroom	Depth x Length	Straight / Boatshape	Top
B	T	B	36 x 72	S / B	T
└──────────────────┬──────────────────┬──────────────────┬──────────────────┬──────────────────┘					
BTB42096BT					

Conference Tables

► Table Tops 3-Layer



Straight Shape



Boatshape

Product Code	Dimensions			List Price	
	D	L	H	Straight	Boatshape
BTB3L42096_T	42	96	2-5/8	\$ 1935	\$ 2037
BTB3L42120_T	42	120	2-5/8	\$ 2462	\$ 2591
BTB3L42144_T	42	144	2-5/8	\$ 2934	\$ 3087
BTB3L48096_T	48	96	2-5/8	\$ 2198	\$ 2310
BTB3L48120_T	48	120	2-5/8	\$ 2796	\$ 2939
BTB3L48144_T	48	144	2-5/8	\$ 3331	\$ 3502

* specify the reveal colour on your order

About this product

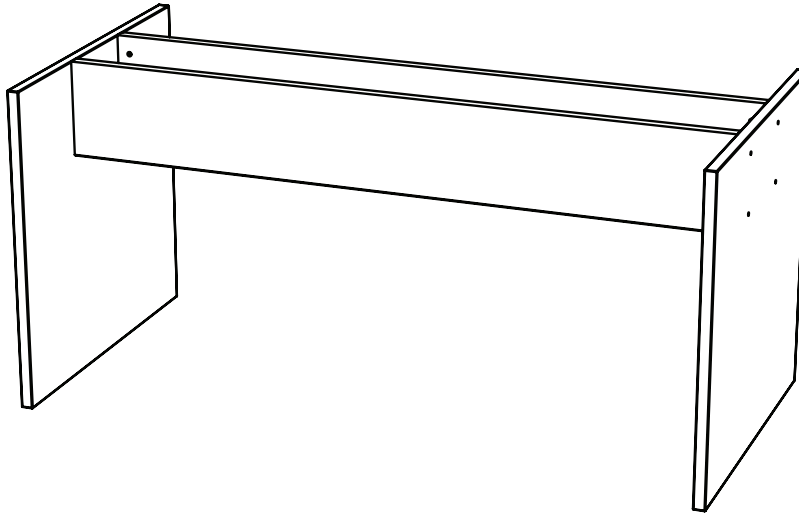
- Sizes over 96" will be two piece tops
- Base styles are available for sale separately
- Insert an "S" for straight or a "B" for a boatshape top; see pricing accordingly
- If using your own base, please connect with the Belair team to ensure it will fit properly
- All attachment hardware is included with the selected base
- Adding a power module: one piece tops require one module with a standard centered placement, and two piece tops require two modules centered in each top for standard placement. If you are ordering a different quantity or require a different placement there is an upcharge (specified in the Electrics catalogue).
- Shipped ready to assemble

Code Matrix

Identification	Category	Item Description	Dimensions	Top Shape	Suffix
Bravo	Tables	Boardroom 3-Layer	Depth x Length	Straight / Boatshape	Top
B	T	B3L	42 x 96	S / B	T
┌──────────┴──────────┬──────────┴──────────┬──────────┴──────────┬──────────┴──────────┬──────────┴──────────┬──────────┴──────────┐					
BTB3L42096BT					

Conference Tables

► Table Bases
Straight



Product Code	Dimensions			List Price
	D	L	H	
BTB36072SBASE	23	42	28	\$ 415
BTB42072SBASE	29	42	28	\$ 470
BTB42096SBASE	29	60	28	\$ 524
BTB42120SBASE	29	84	28	\$ 595
BTB42144SBASE	29	108	28	\$ 665
BTB48096SBASE	29	60	28	\$ 524
BTB48120SBASE	29	84	28	\$ 595
BTB48144SBASE	29	108	28	\$ 665

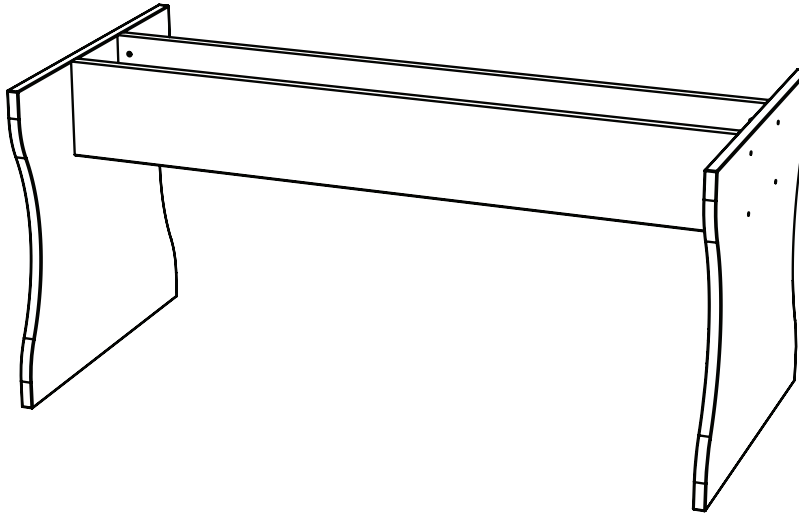
About this product

- Order the size of base with the code that corresponds with the size of top being ordered
- Shipped ready to assemble

Code Matrix				
Identification	Category	Item Description	Dimensions	Suffix
Bravo	Tables	Boardroom	Depth x Length (of top)	Base Style
B	T	B	36 x 72	SBASE
----- ----- ----- ----- -----				
BTB36072SBASE				

Conference Tables

► Table Bases H-Style



Product Code	Dimensions			List Price
	D	L	H	
BTB36072HBASE	23	42	28	\$ 427
BTB42072HBASE	29	42	28	\$ 484
BTB42096HBASE	29	60	28	\$ 539
BTB42120HBASE	29	84	28	\$ 612
BTB42144HBASE	29	108	28	\$ 684
BTB48096HBASE	29	60	28	\$ 539
BTB48120HBASE	29	84	28	\$ 612
BTB48144HBASE	29	108	28	\$ 684

About this product

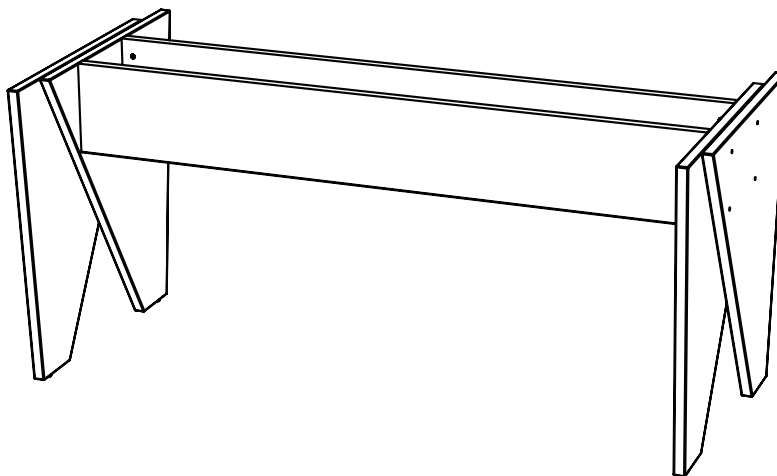
- Order the size of base with the code that corresponds with the size of top being ordered
- Shipped ready to assemble

Code Matrix

Identification	Category	Item Description	Dimensions	Suffix
Bravo	Tables	Boardroom	Depth x Length (of top)	Base Style
B	T	B	36 x 72	HBASE
				

Conference Tables

► Table Bases Klyde



Product Code	Dimensions			List Price
	D	L	H	
BTB42072KBASE	29	44	28	\$ 593
BTB42096KBASE	29	62	28	\$ 650
BTB42120KBASE	29	86	28	\$ 727
BTB42144KBASE	29	110	28	\$ 802
BTB48096KBASE	29	62	28	\$ 650
BTB48120KBASE	29	86	28	\$ 727
BTB48144KBASE	29	110	28	\$ 802

* Option for combo colours, please specify a main and accent colour (main colour will be interior stringers and interior layer, accent colour will be exterior layer of the leg)

About this product

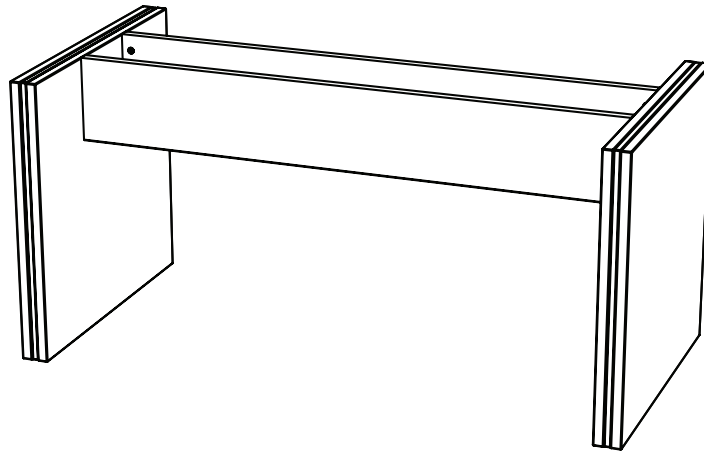
- Order the size of base with the code that corresponds with the size of top being ordered
- Note that the depth of this base cannot be customized smaller than 29" for stability
- Shipped ready to assemble

Code Matrix

Identification	Category	Item Description	Dimensions	Suffix
Bravo	Tables	Boardroom	Depth x Length (of top)	Base Style
B	T	B	36 x 72	KBASE
				

Conference Tables

► Table Bases 3-Layer



Product Code	Dimensions			List Price
	D	L	H	
BTB3L36072SBASE	23	42	28	\$ 802
BTB3L42072SBASE	29	42	28	\$ 958
BTB3L42096SBASE	29	60	28	\$ 1014
BTB3L42120SBASE	29	84	28	\$ 1087
BTB3L42144SBASE	29	108	28	\$ 1159
BTB3L48096SBASE	29	60	28	\$ 1014
BTB3L48120SBASE	29	84	28	\$ 1087
BTB3L48144SBASE	29	108	28	\$ 1159

* specify the reveal colour on your order

About this product

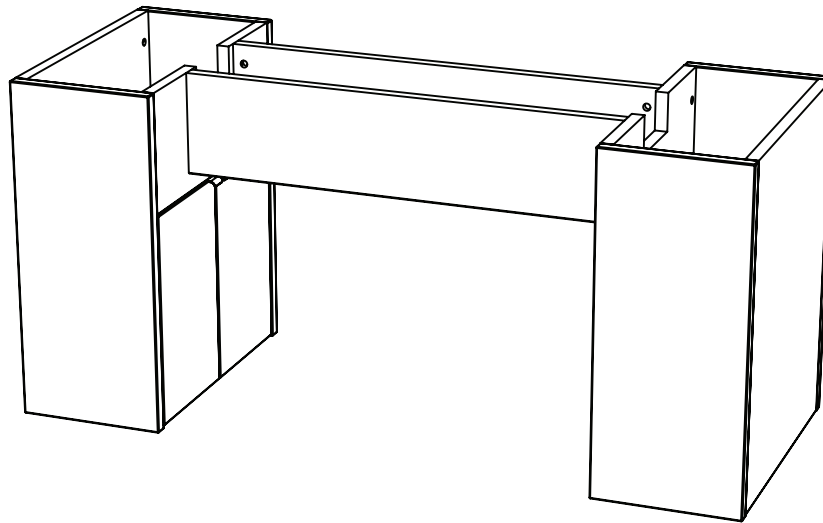
- Order the size of base with the code that corresponds with the size of top being ordered
- Shipped ready to assemble

Code Matrix

Identification	Category	Item Description	Dimensions	Suffix
Bravo	Tables	Boardroom 3-Layer	Depth x Length (of top)	Base Style
B	T	B3L	36 x 72	SBASE
┌───────────────────────────────────┴───────────────────────────────────┐				
BTB3L36072SBASE				

Conference Tables

► Table Bases Box



Product Code	Dimensions			Box Size	List Price
	D	L	H		
BTB42096BBASE	24	60	28	12 x 24"	\$ 1032
BTB42120BBASE	24	84	28	12 x 24"	\$ 1105
BTB42144BBASE	24	108	28	12 x 24"	\$ 1178
BTB48096BBASE	24	60	28	12 x 24"	\$ 1032
BTB48120BBASE	24	84	28	12 x 24"	\$ 1105
BTB48144BBASE	24	108	28	12 x 24"	\$ 1178

About this product

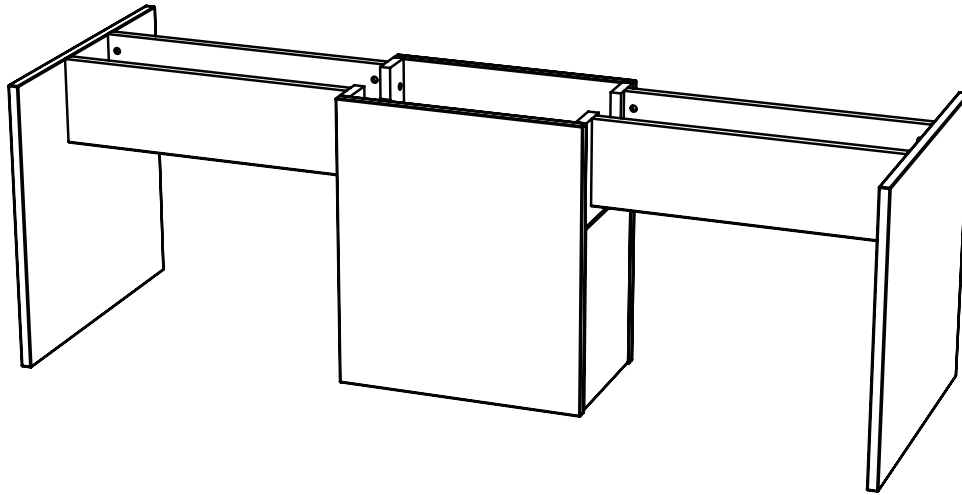
- Order the size of base with the code that corresponds with the size of top being ordered
- Each box has an open bottom and an access door for easy access to power
- Boxes ship assembled, finished unit to be assembled on site

Code Matrix

Identification	Category	Item Description	Dimensions	Suffix
Bravo B	Tables T	Boardroom B	Depth x Length (of top) 36 x 72	Base Style BBASE
 BTB36072BBASE				

Conference Tables

▶ Table Bases Combo



Product Code	Dimensions			Center Box	List Price
	D	L	H		
BTB42120CBASE	29	84	28	15 x 24	\$ 954
BTB42144CBASE	29	108	28	15 x 30	\$ 1067
BTB48120CBASE	29	84	28	15 x 24	\$ 954
BTB48144CBASE	29	108	28	15 x 30	\$ 1067

About this product

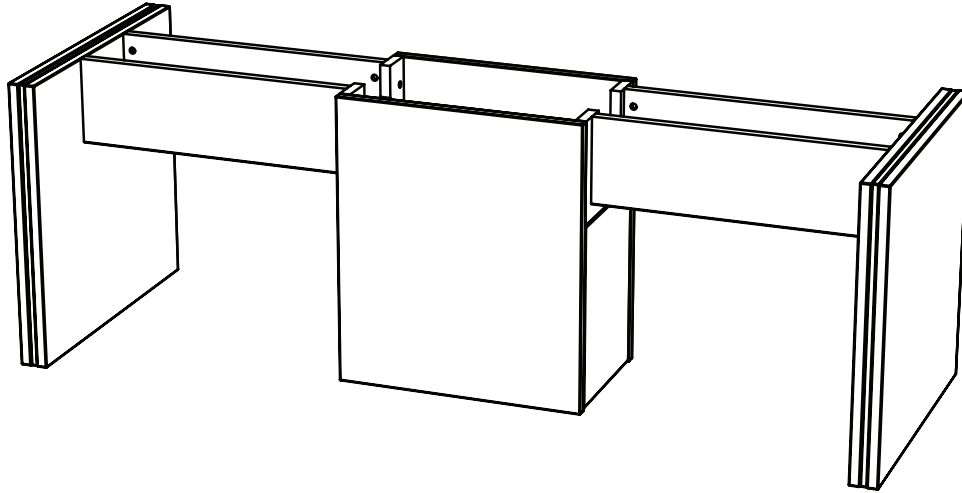
- Order the size of base with the code that corresponds with the size of top being ordered
- Middle box has an open bottom and an access door for easy access to power
- Boxes ship assembled, finished unit to be assembled on site

Code Matrix

Identification	Category	Item Description	Dimensions	Suffix
Bravo	Tables	Boardroom	Depth x Length (of top)	Base Style
B	T	B	36 x 72	CBASE
				

Conference Tables

► Table Bases 3-Layer Combo



Product Code	Dimensions			Center Box	List Price
	D	L	H		
BTB3L42120CBASE	29	84	28	15 x 24	\$ 1466
BTB3L42144CBASE	29	108	28	15 x 30	\$ 1581
BTB3L48120CBASE	29	84	28	15 x 24	\$ 1466
BTB3L48144CBASE	29	108	28	15 x 30	\$ 1581

* specify the reveal colour on your order

About this product

- Order the size of base with the code that corresponds with the size of top being ordered
- Middle box has an open bottom and an access door for easy access to power
- Boxes ship assembled, finished unit to be assembled on site

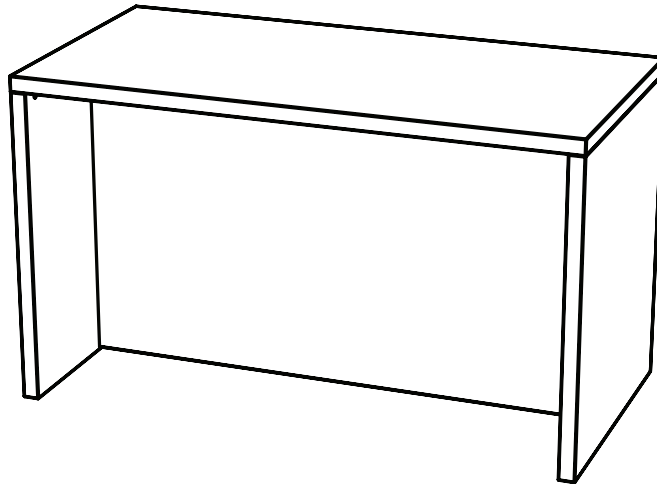
Code Matrix

Identification	Category	Item Description	Dimensions	Suffix
Bravo	Tables	Boardroom 3-Layer	Depth x Length (of top)	Base Style
B	T	B3L	36 x 72	CBASE
				

Tables

Tables

► Collab Tables



Product Code	Dimensions			List Price
	D	W	H	
BTC3060	30	60	42	\$ 2623
BTC3672	36	72	42	\$ 3282
BTC4296	42	96	42	\$ 4365

About this product

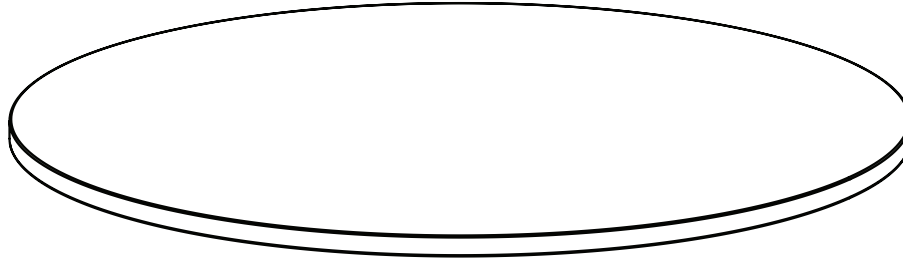
- 2" thick top & gables with two full modesties
- Adjustable feet for leveling
- Edging is only available in AN, BB, BK, CP, DW, FN, ME, PM, SA, SH, SL, SW, TR, TT, TX, UV, WC, WH
- Shipped ready to assemble

Code Matrix

Identification	Category	Item Description	Dimensions
Bravo	Tables	Collab	Depth x Width
B	T	C	30 x 60
┌──────────────────┴──────────────────┐ BTC3060 ┌──────────────────┴──────────────────┐			

Tables

► Tops
Circular



Product Code	Dimensions			List Price
	D	W	H	
BT24CT	24	24	1	\$ 215
BT30CT	30	30	1	\$ 282
BT36CT	36	36	1	\$ 409
BT42CT	42	42	1	\$ 479
BT48CT	48	48	1	\$ 510
BT60CT	60	60	1	\$ 686

About this product

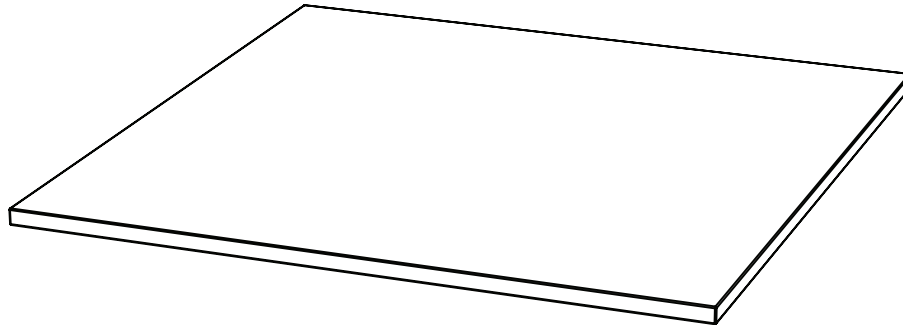
- No attachment hardware included

Code Matrix

Identification	Category	Dimensions	Shape	Suffix
Bravo	Tables	Diameter	Circular	Top Only
B	T	24	C	T
-----		BT24CT	-----	

Tables

► Tops Square



Product Code	Dimensions			List Price
	D	W	H	
BT2424T	24	24	1	\$ 164
BT3030T	30	30	1	\$ 228
BT3636T	36	36	1	\$ 306
BT4242T	42	42	1	\$ 405
BT4848T	48	48	1	\$ 510

About this product

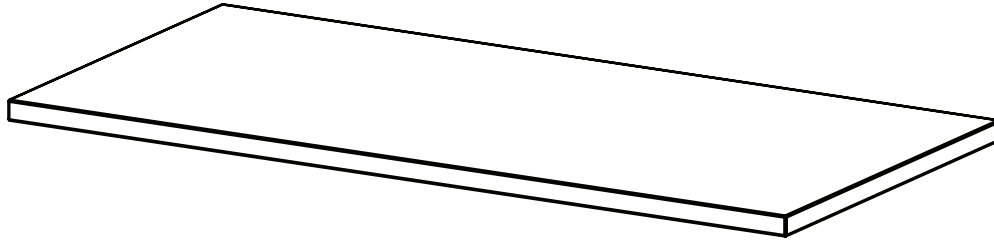
- No attachment hardware included

Code Matrix

Identification	Category	Dimensions	Suffix
Bravo B	Tables T	Depth x Width 24 x 24	Top Only T
<div style="display: flex; justify-content: space-between; align-items: center;"> BT2424T </div>			

Tables

► Tops Straight 20" Deep



Product Code	Dimensions			List Price
	D	W	H	
BT2042T	20	42	1	\$ 218
BT2060T	20	60	1	\$ 291
BT2066T	20	66	1	\$ 317
BT2072T	20	72	1	\$ 317

About this product

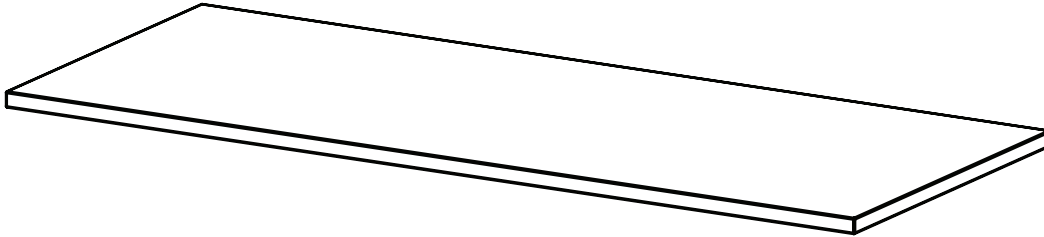
- No attachment hardware included

Code Matrix

Identification	Category	Dimensions	Suffix
Bravo B	Tables T	Depth x Width 20 x 42	Top Only T
<div style="display: flex; justify-content: space-between; align-items: center;"> </div>			

Tables

► Tops Straight 24" Deep



Product Code	Dimensions			List Price
	D	W	H	
BT2430T	24	30	1	\$ 180
BT2432T	24	32	1	\$ 190
BT2436T	24	36	1	\$ 199
BT2442T	24	42	1	\$ 243
BT2448T	24	48	1	\$ 277
BT2454T	24	54	1	\$ 312
BT2460T	24	60	1	\$ 338
BT2466T	24	66	1	\$ 353
BT2472T	24	72	1	\$ 378

About this product

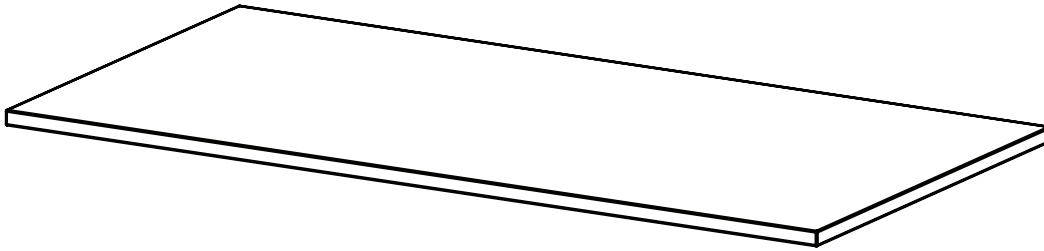
- No attachment hardware included

Code Matrix

Identification	Category	Dimensions	Suffix
Bravo B	Tables T	Depth x Width 24 x 32	Top Only T
<div style="display: flex; justify-content: space-between; align-items: center;"> </div>			

Tables

► Tops Straight 30" Deep



Product Code	Dimensions			List Price
	D	W	H	
BT3036T	30	36	1	\$262
BT3048T	30	48	1	\$ 333
BT3054T	30	54	1	\$386
BT3060T	30	60	1	\$ 378
BT3066T	30	66	1	\$ 403
BT3072T	30	72	1	\$ 431

About this product

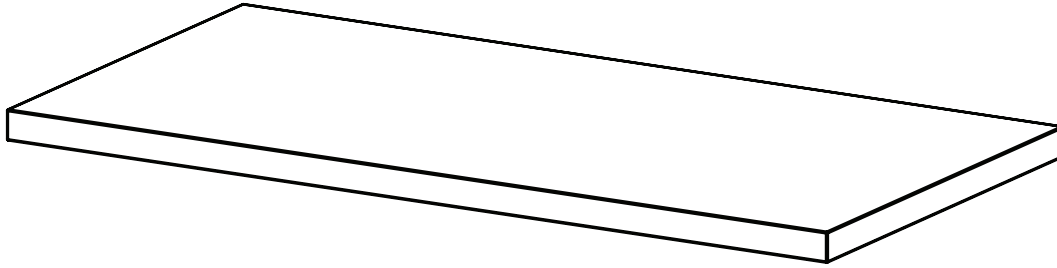
- No attachment hardware included

Code Matrix

Identification	Category	Dimensions	Suffix
Bravo B	Tables T	Depth x Width 30 x 48	Top Only T
<div style="display: flex; justify-content: space-between; align-items: center;"> BT3048T </div>			

Tables

► Tops Straight 2" Thick



Product Code	Dimensions			List Price
	D	W	H	
BT2460TT	24	60	2	\$ 693
BT2472TT	24	72	2	\$ 833
BT3060TT	30	60	2	\$ 844
BT3072TT	30	72	2	\$ 1009

About this product

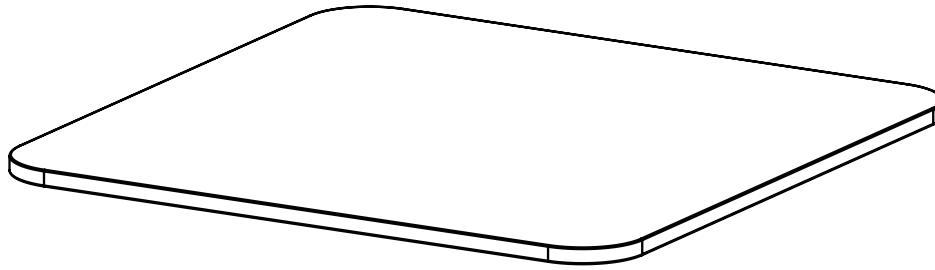
- No attachment hardware included
- Edging is only available in AN, BB, BK, CP, DW, FN, ME, PM, SA, SH, SL, SW, TR, TT, TX, UV,
- WC, WH

Code Matrix

Identification	Category	Dimensions	Suffix
Bravo B	Tables T	Depth x Width 24 x 24	Thick Top Only TT
<div style="display: flex; justify-content: space-between; width: 100%;"> </div> BT2460TT			

Tables

► Tops Square Radius Corners



Product Code	Dimensions			List Price
	D	W	H	
BT2424RT	24	24	1	\$ 215
BT3030RT	30	30	1	\$ 282
BT3636RT	36	36	1	\$ 409
BT4242RT	42	42	1	\$ 479
BT4848RT	48	48	1	\$ 510

About this product

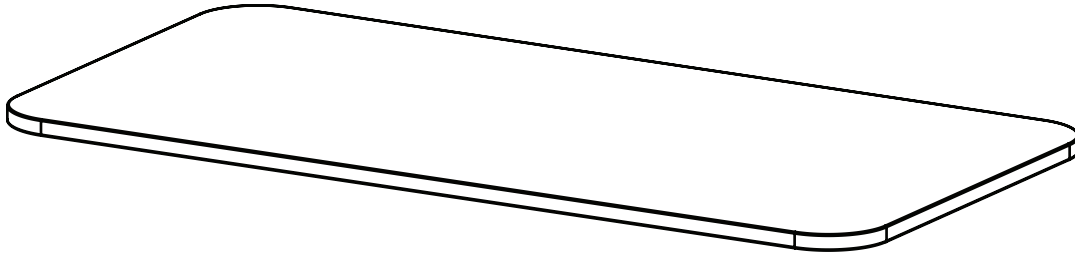
- No attachment hardware included

Code Matrix

Identification	Category	Dimensions	Shape	Suffix
Bravo	Tables	Depth x Width	Radiused Corners	Top Only
B	T	24 x 24	R	T
		BT2424RT		

Tables

► Tops Straight Radius Corners



Product Code	Dimensions			List Price
	D	W	H	
BT2448RT	24	48	1	\$ 333
BT3048RT	30	48	1	\$ 394
BT3060RT	30	60	1	\$ 429
BT3072RT	30	72	1	\$ 454
BT3660RT	36	60	1	\$ 558
BT3672RT	36	72	1	\$ 703
BT3696RT	36	96	1	\$ 880

About this product

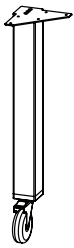
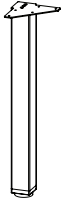
- No attachment hardware included

Code Matrix

Identification	Category	Dimensions	Shape	Suffix
Bravo	Tables	Depth x Width	Radiused Corners	Top Only
B	T	24 x 48	R	T
		BT2448RT		

Tables

► Bases Metal Post Leg



Product Code	Dimensions	List Price
	H	
BA17SPLEG	17	\$88
BA28SPLEG	28	\$99
BA35SPLEG	35	\$106

BA28SMPLEG	28	\$165
------------	----	-------

About this product

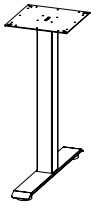
- Available in black and grey
- Attachment hardware included
- Adjustable foot for leveling (excluding Post Leg with caster)

Code Matrix

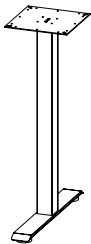
Identification	Category	Dimensions	Suffix
Bravo	Accessories	Height	Post Leg
B	A	28	SPLEG
┌──────────────────┴──────────────────┐			
BA28SPLEG			

Tables

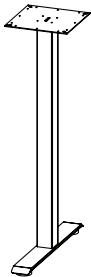
► Bases Metal T-Leg



Product Code	Dimensions		Top Size	List Price
	D	H		
BA2228TLEG	22	28	24-29	\$156
BA2628TLEG	26	28	30-35	\$166
BA3028TLEG	30	28	36-42	\$176



BA2235TLEG	22	35	24-29	\$165
BA2635TLEG	26	35	30-35	\$174
BA3035TLEG	30	35	36-42	\$184



BA2241TLEG	22	41	24-29	\$173
BA2641TLEG	26	41	30-35	\$184
BA3041TLEG	30	41	36-42	\$193

About this product

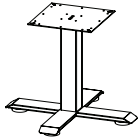
- Available in black and grey
- Attachment hardware included
- Adjustable feet for leveling

Code Matrix

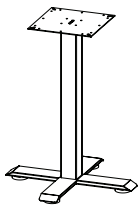
Identification	Category	Dimensions	Suffix
Bravo	Accessories	Depth x Height	T-LEG
B	A	2228	TLEG
┌──────────────────┴──────────────────┬──────────────────┴──────────────────┐ BA2228TLEG			

Tables

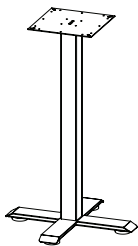
► Bases Metal X-Base



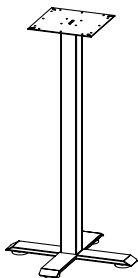
Product Code	Dimensions		Top Size	List Price
	D	H		
BA1817XBASE	18	17	20-23	\$ 234
BA2217XBASE	22	17	24-29	\$ 260
BA2617XBASE	26	17	30-35	\$ 307
BA3017XBASE	30	17	36-42	\$ 325



BA1828XBASE	18	28	20-23	\$ 244
BA2228XBASE	22	28	24-29	\$ 271
BA2628XBASE	26	28	30-35	\$ 318
BA3028XBASE	30	28	36-42	\$ 337



BA1835XBASE	18	35	20-23	\$ 253
BA2235XBASE	22	35	24-29	\$ 279
BA2635XBASE	26	35	30-35	\$ 327
BA3035XBASE	30	35	36-42	\$ 345



BA1841XBASE	18	41	20-23	\$ 263
BA2241XBASE	22	41	24-29	\$ 290
BA2641XBASE	26	41	30-35	\$ 337
BA3041XBASE	30	41	36-42	\$ 356

About this product

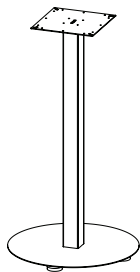
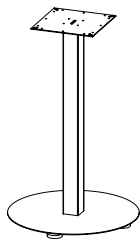
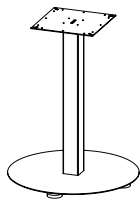
- Available in black and grey
- Attachment hardware included
- Adjustable feet for leveling

Code Matrix

Identification	Category	Dimensions	Suffix
Bravo	Accessories	Depth x Height	X-Base
B	A	2228	XBASE
BA2228XBASE			

Tables

► Bases Metal Disc Base



Product Code	Dimensions		Top Size	List Price
	D	H		
BA1817DBASE	18	17	20-23	\$ 244
BA2217DBASE	22	17	24-29	\$ 288
BA2617DBASE	26	17	30-35	\$ 369
BA3017DBASE	30	17	36-42	\$ 421
BA1828DBASE	18	28	20-23	\$ 255
BA2228DBASE	22	28	24-29	\$ 298
BA2628DBASE	26	28	30-35	\$ 381
BA3028DBASE	30	28	36-42	\$ 432
BA1835DBASE	18	35	20-23	\$ 263
BA2235DBASE	22	35	24-29	\$ 307
BA2635DBASE	26	35	30-35	\$ 390
BA3035DBASE	30	35	36-42	\$ 441
BA1841DBASE	18	41	20-23	\$ 274
BA2241DBASE	22	41	24-29	\$ 317
BA2641DBASE	26	41	30-35	\$ 399
BA3041DBASE	30	41	36-42	\$ 451

About this product

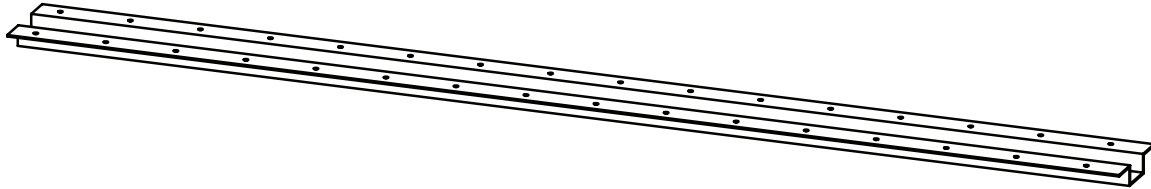
- Available in black and grey
- Attachment hardware included
- Adjustable feet for leveling

Code Matrix

Identification	Category	Dimensions	Suffix
Bravo	Accessories	Depth x Height	Disc Base
B	A	2228	DBASE
┌──────────────────┴──────────────────┘			
BA2228DBASE			

Tables

► Bases Stabilizer Bar



Product Code	Dimensions			List Price
	D	W	H	
BA48STAB	5	48	1	\$ 85
BA54STAB	5	54	1	\$ 103
BA60STAB	5	60	1	\$ 103
BA66STAB	5	66	1	\$ 103
BA72STAB	5	72	1	\$ 113
BA78STAB	5	78	1	\$ 122
BA84STAB	5	84	1	\$ 131
BA90STAB	5	90	1	\$ 140
BA96STAB	5	96	1	\$ 150

About this product

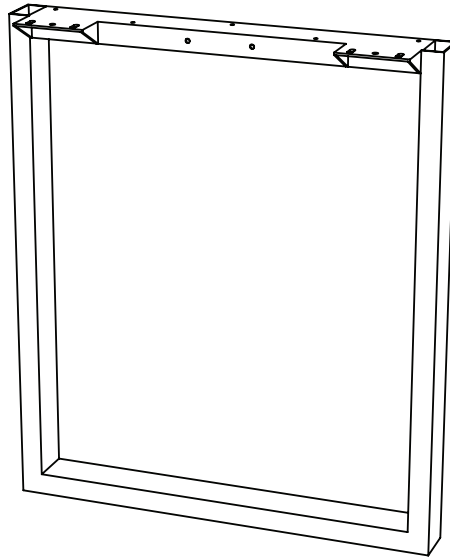
- Attachment hardware included
- Only available in grey

Code Matrix

Identification	Category	Dimensions	Suffix
Bravo	Accessories	Depth	Stabilizer
B	A	48	STAB
┌──────────────────┴──────────────────┐			
BA48STAB			

Tables

► Bases Metal O-Leg



Product Code	Dimensions			List Price
	D	W	H	
BA24OLEG	24	2-1/2	28	\$ 152
BA30OLEG	30	2-1/2	28	\$ 165
BA36OLEG	36	2-1/2	28	\$ 171

* Specify o-leg colour (grey or black) on your order. If no colour is specified, grey will be shipped.

About this product

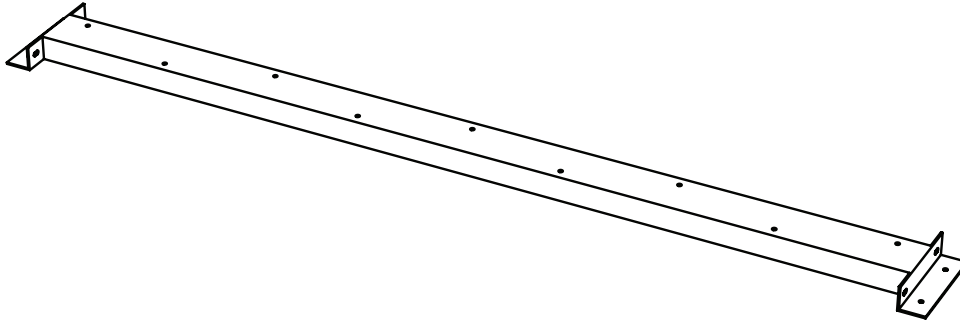
- Attachment hardware included
- Adjustable feet for leveling

Code Matrix

Identification	Category	Dimensions	Suffix
Bravo	Accessories	Depth	O Leg
B	A	24	OLEG
┌──────────────────┴──────────────────┬──────────────────┴──────────────────┐			
BA24OLEG			

Tables

► Bases Stiffener Bar



Product Code	Dimensions			List Price
	D	W	H	
BA48STIFF	2	45	1	\$ 72
BA60STIFF	2	57	1	\$ 82
BA66STIFF	2	63	1	\$ 91
BA72STIFF	2	69	1	\$ 102

About this product

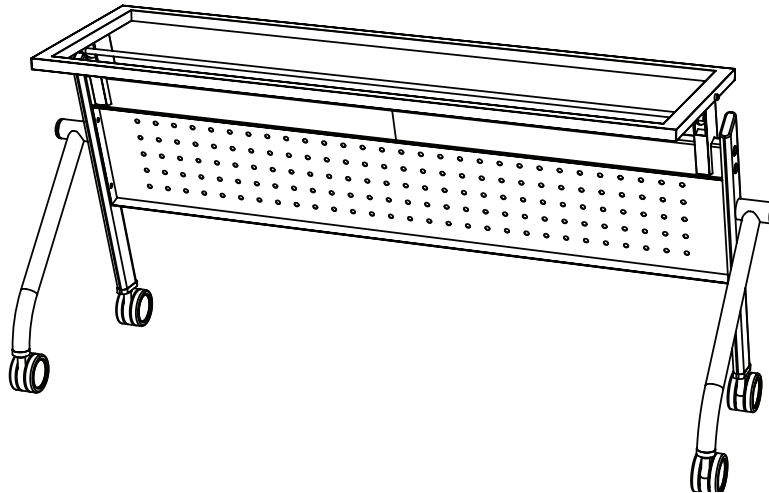
- Attachment hardware included
- Only available in grey

Code Matrix

Identification	Category	Dimensions	Suffix
Bravo	Accessories	Width (of desk)	Stiffener Bar
B	A	48	STIFF
BA48STIFF			

Tables

► Bases Training Table



Product Code	Dimensions			List Price
	D	W	H	
BTTM48BASE	21	46	28	\$ 1113
BTTM60BASE	21	58	28	\$ 1159
BTTM72BASE	21	70	28	\$ 1215

About this product

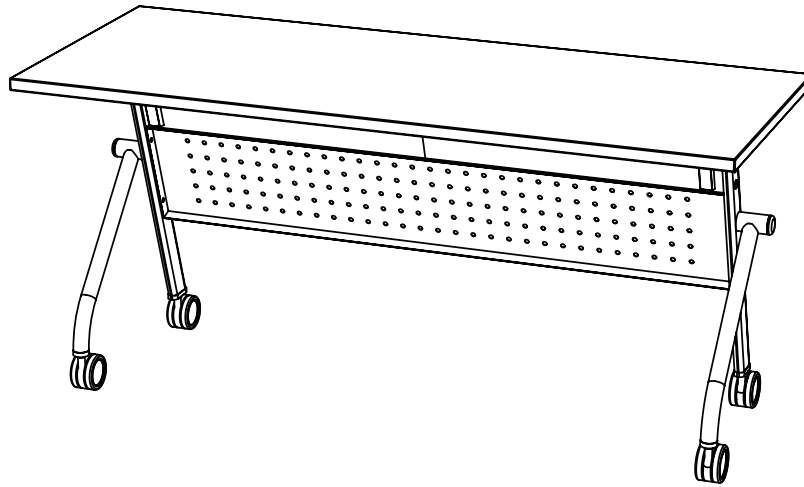
- Base available in black
- Two locking casters
- Maximum recommended top depth is 24"
- Shipped ready to assemble

Code Matrix

Identification	Category	Item Description	Dimensions	Suffix
Bravo	Tables	Training Mobile	Width	Base Only
B	T	TM	48	BASE
└──────────────────┬──────────────────┬──────────────────┬──────────────────┬──────────────────┘				
└──────────────────┬──────────────────┬──────────────────┬──────────────────┬──────────────────┘				
└──────────────────┬──────────────────┬──────────────────┬──────────────────┬──────────────────┘				
└──────────────────┬──────────────────┬──────────────────┬──────────────────┬──────────────────┘				
└──────────────────┬──────────────────┬──────────────────┬──────────────────┬──────────────────┘				
└──────────────────┬──────────────────┬──────────────────┬──────────────────┬──────────────────┘				
└──────────────────┬──────────────────┬──────────────────┬──────────────────┬──────────────────┘				

Tables

► Bases Training Table With Top



Product Code	Dimensions			List Price
	D	W	H	
BTTM2060	20	60	29	\$ 1450
BTTM2072	20	72	29	\$ 1532
BTTM2448	24	48	29	\$ 1390
BTTM2460	24	60	29	\$ 1497
BTTM2472	24	72	29	\$ 1593

About this product

- Base available in black with two locking casters
- Top and base shipped and invoiced separately
- Shipped ready to assemble

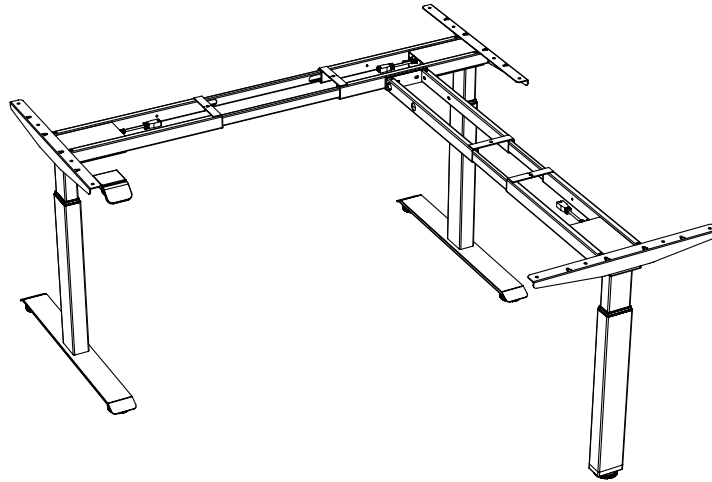
Code Matrix

Identification	Category	Item Description	Dimensions
Bravo	Tables	Training Mobile	Depth x Width
B	T	TM	2060
┌──────────────────┴──────────────────┐			
BTTM2060			

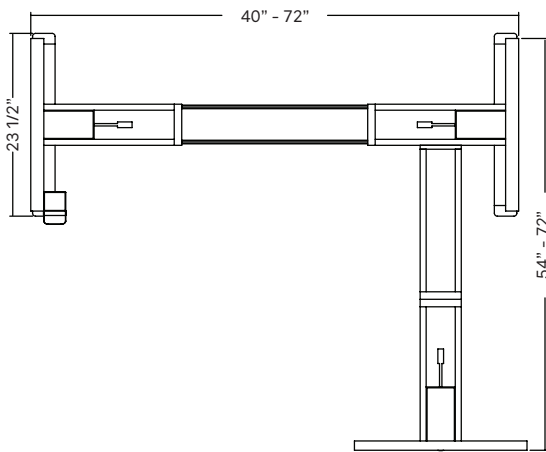
Wellness

Wellness

▶ 3-Leg Lift Base



Product Code	Dimensions			List Price
	D	W	H	
BWHA-3LEG3M	23 1/2	40-72	24-49 1/2	\$ 1498



A note on safety

The design and placement of height adjustable desks must allow for appropriate distances between movable surfaces in order to avoid risk of injury. Pinch points in which fingers, arms, and legs can be caught between should be avoided at all times. Government safety standards require a minimum space of 1" between different surfaces to avoid this risk.

About this product

- Available for 24" and 30" deep tops with widths ranging from 42" to 84"
- Quick and easy assembly with minimal tools required
- Flat brackets are included for installation of tops
- Lifting capacity is 385 lbs
- 3 Stage leg
- Available in grey & black
- Contact us for quantity pricing

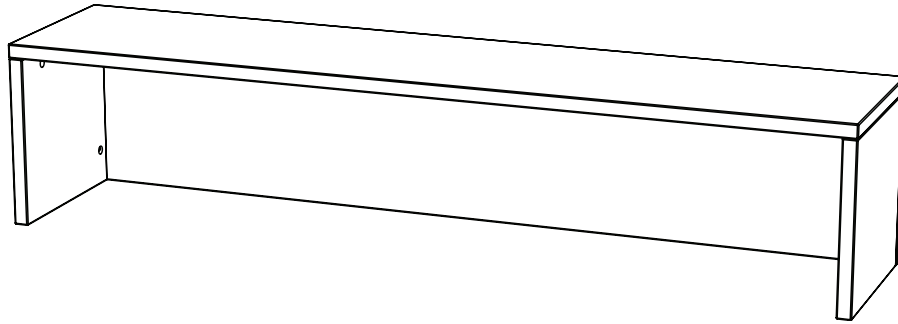
Code Matrix

Identification	Category	Item Description	Leg Quantity	Motor Quantity
Bravo	Wellness	Height Adjustable	3 Legs	3 Motor
B	W	HA	3LEG	3M
└────────── BWHA-3LEG3M ─────────┘				

Accessories

Accessories

▶ Desk Toppers



Product Code	Dimensions			List Price
	D	W	H	
BAT1348H13	13	48	13	\$ 402
BAT1360H13	13	60	13	\$ 462
BAT1366H13	13	66	13	\$ 493
BAT1372H13	13	72	13	\$ 523

About this product

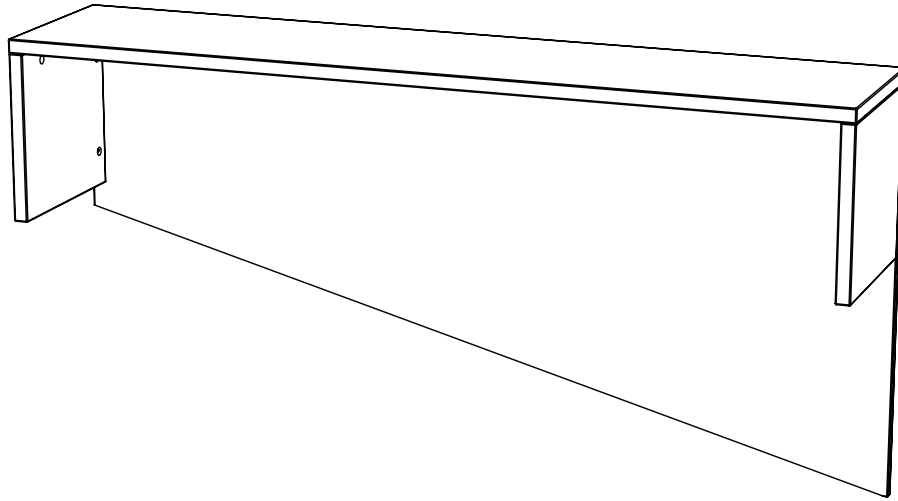
- Attached to desk surface with double-sided tape
- Shipped assembled

Code Matrix

Identification	Category	Item Description	Dimensions	Height
Bravo	Accessories	Topper	Depth x Width	Height
B	A	T	13 x 48	H13
┌──────────────────────────────────┴──────────────────────────────────┐				
BAT1348H13				

Accessories

▶ Desk Toppers Angled Topper



Product Code	Dimensions			List Price
	D	W	H	
BATA1348H30_	13	48	30	\$ 536
BATA1360H30_	13	60	30	\$ 629
BATA1366H30_	13	66	30	\$ 676
BATA1372H30_	13	72	30	\$ 722

* Specify "L" or "R" for left or right in the space of the code above when placing your order
image above is a left hand unit ("L")

About this product

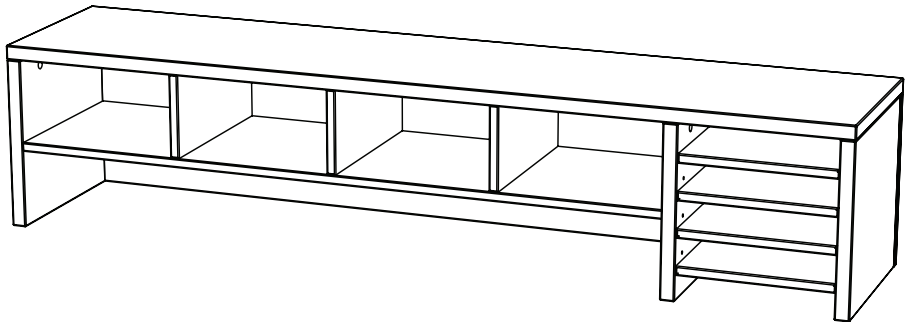
- Attached to desk surface with double-sided tape
- Shipped assembled

Code Matrix

Identification	Category	Item Description	Dimensions	Height
Bravo	Accessories	Topper Angled	Depth x Width	Height
B	A	TA	13 x 48	H30
----- ----- ----- ----- -----				
BATA1348H30				

Accessories

▶ Desk Toppers
Combo



Product Code	Dimensions			List Price
	D	W	H	
BATC1330H13_	13	30	13	\$ 446
BATC1336H13_	13	36	13	\$ 500
BATC1348H13_	13	48	13	\$ 594
BATC1360H13_	13	60	13	\$ 687
BATC1366H13_	13	66	13	\$ 726
BATC1372H13_	13	72	13	\$ 782

* Specify "L" or "R" for left or right in the space of the code above when placing your order
image above is a right hand unit ("R")

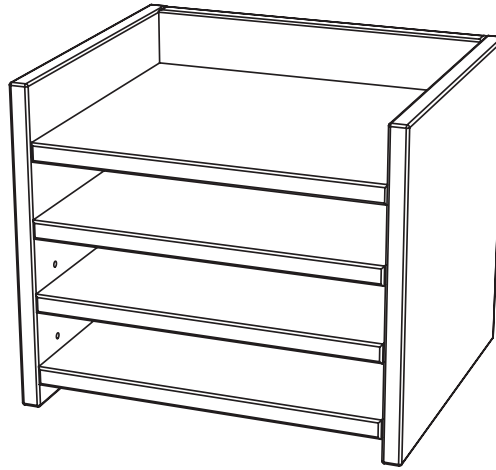
About this product

- Attached to desk surface with double-sided tape
- Shipped assembled

Code Matrix				
Identification	Category	Item Description	Dimensions	Height
Bravo	Accessories	Topper Combo	Depth x Width	Height
B	A	TC	13 x 48	H30
		BATC1348H30		

Accessories

► In-Unit Organizers



Product Code		Dimensions			List Price
		D	W	H	
BS1113U41H11	Letter	11	13	11	\$ 175
BS1116U41H11	Legal	11	16	11	\$ 199
BS1312U41H12	Letter	13	12	12	\$ 175
BS1512U41H12	Legal	15	12	12	\$ 199

About this product

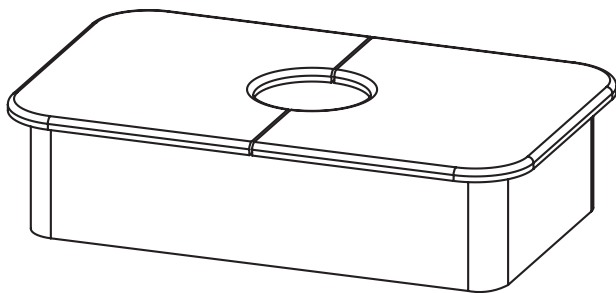
- Top shelf is fixed, bottom three are adjustable
- Shipped assembled

Code Matrix

Identification	Category	Dimensions	Storage Type	Height
Bravo	Storage	Depth x Width	Organizer	Height
B	S	11 x 13	U41	H11
		BS1113U41H11		

Accessories

▶ Wire Management Rectangular Grommet



Product Code		List Price
BEGM1	not installed	\$ 11
BEGM1-INS	custom placement	\$ 64

About this product

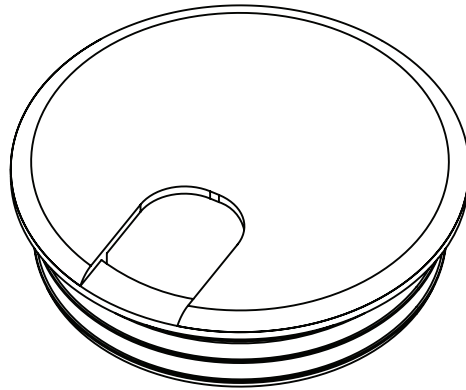
- Black
- Cutout dimensions: 2" x 3-1/2"
- Order "-INS" to have a hole placed into the unit you wish to place the module. Specify the location on your order.

Code Matrix

Identification	Category	Item Description	Definition
Bravo	Electrics	Grommet	1
B	E	GM	1
┌──────────────────┴──────────────────┬──────────────────┴──────────────────┐			
BEGM1			

Accessories

▶ Wire Management Round Grommet



Product Code		List Price
BEGM2	not installed	\$ 11
BEGM2-INS	custom placement	\$64

About this product

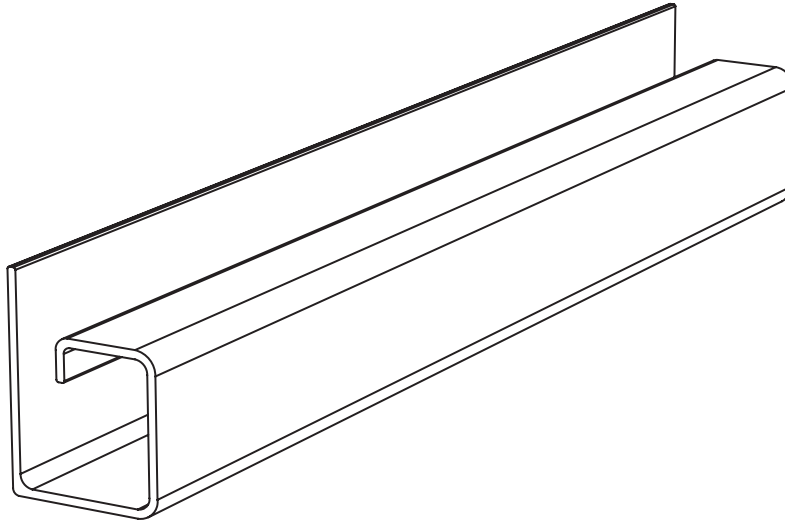
- Black
- 3" round cutout
- Order "-INS" to have a hole placed into the unit you wish to place the module. Specify the location on your order.

Code Matrix

Identification	Category	Item Description	Definition
Bravo	Electrics	Grommet	2
B	E	GM	2
-----		BEGM2	-----

Accessories

▶ Wire Management Cable Way



Product Code		List Price
BEWM-CW12	12" Long	\$ 42
BEWM-CW24	24" Long	\$ 81
BEWM-CW36	36" Long	\$ 120

About this product

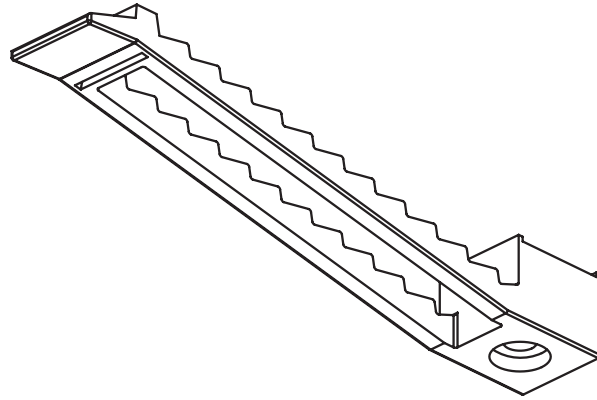
- Black plastic
- Comes with tape for light duty easy attachment
- Can be screwed in place for more heavy duty attachment

Code Matrix

Identification	Category	Item Description	Length
Bravo	Electrics	Wire Management	CW12
B	E	WM	CW12
┌──────────────────┴──────────────────┬──────────────────┴──────────────────┐ BEWM-CW12			

Accessories

▶ Wire Management Cable Clip



Product Code	List Price
BEWM-CC	\$ 10

About this product

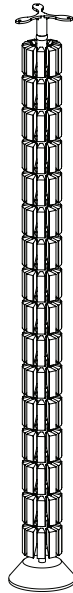
- Black plastic
- Attached with single screw
- Flexible placement

Code Matrix

Identification	Category	Item Description	Definition
Bravo	Electrics	Wire Management	CC
B	E	WM	CC
└──────────┬──────────┬──────────┘			
BEWM-CC			

Accessories

▶ Wire Management Cable Trunk



Product Code	List Price
BEWM-TRUNK	\$ 255

About this product

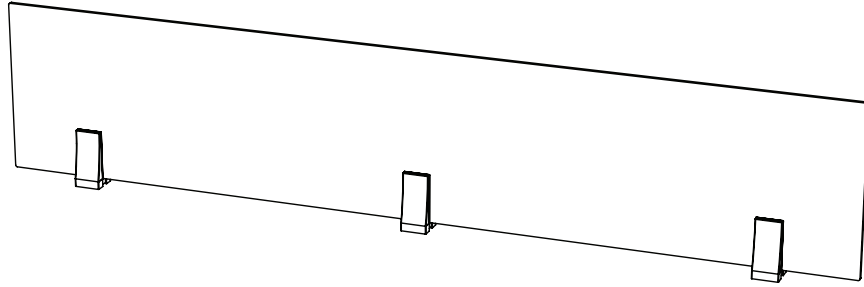
- Black or Silver (specify finish on your order)
- 35-7/16" long

Code Matrix			
Identification	Category	Item Description	Definition
Bravo	Electrics	Wire Management	TRUNK
B	E	WM	TRUNK
┌──────────────────┴──────────────────┘			
BEWM-TRUNK			

Privacy Panels

Privacy Panels

▶ Desk Mounted Frost Panels 12" High



Product Code	Dimensions		List Price
	W	H	
BVDF1223__	22-1/2	12	\$ 242
BVDF1229__	28-1/2	12	\$ 271
BVDF1235__	34-1/2	12	\$ 299
BVDF1242__	41-1/2	12	\$ 332
BVDF1248__	47-1/2	12	\$ 359
BVDF1254__	53-1/2	12	\$ 454
BVDF1260__	59-1/2	12	\$ 482
BVDF1266__	65-1/2	12	\$ 509
BVDF1272__	71-1/2	12	\$ 536

About this product

- Fill in the last two blanks to specify hardware attachment style & finish

1st Character: Attachment Option

- Top Mount (**T**)
- Clamp Mount (**C**)

2nd Character: Hardware Finish

- Black (**B**)
- Brushed Nickel (**N**)
- White (**W**)

- Shipped ready to assemble

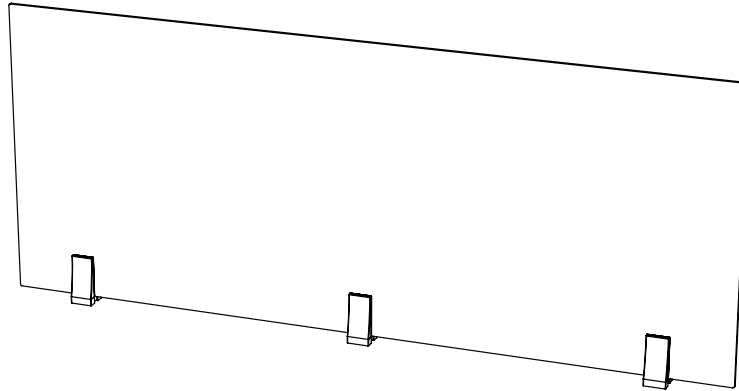
- "T" clamp can also be installed as a modesty
(size down when installing on o-leg or height adjustable base)

Code Matrix

Identification	Category	Item Description	Material	Dimensions	Attachment	Hardware
Bravo	Privacy	Desk Mount	Frost	Height x Width	Style	Finish
B	V	D	F	12 x 23	T/C	B/N/W
----- BVDF1223TB -----						

Privacy Panels

▶ Desk Mounted Frost Panels 24" High



Product Code	Dimensions		List Price
	W	H	
BVDF2423_ _	22-1/2	24	\$ 350
BVDF2429_ _	28-1/2	24	\$ 405
BVDF2435_ _	34-1/2	24	\$ 461
BVDF2442_ _	41-1/2	24	\$ 525
BVDF2448_ _	47-1/2	24	\$ 582
BVDF2454_ _	53-1/2	24	\$ 705
BVDF2460_ _	59-1/2	24	\$ 762
BVDF2466_ _	65-1/2	24	\$ 817
BVDF2472_ _	71-1/2	24	\$ 872

About this product

- Fill in the last two blanks to specify hardware attachment style & finish

1st Character: Attachment Option

- Top Mount (**T**)
- Clamp Mount (**C**)

2nd Character: Hardware Finish

- Black (**B**)
- Brushed Nickel (**N**)
- White (**W**)

- Shipped ready to assemble

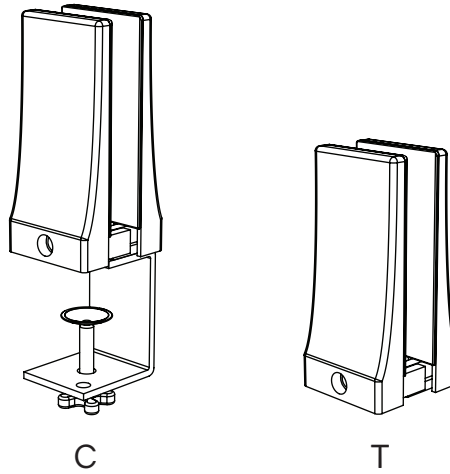
- "T" clamp can also be installed as a modesty
(size down when installing on o-leg or height adjustable base)

Code Matrix

Identification	Category	Item Description	Material	Dimensions	Attachment	Hardware
Bravo	Privacy	Desk Mount	Frost	Height x Width	Style	Finish
B	V	D	F	24 x 23	T / C	B / N / W
----- BVDF2423TB -----						

Privacy Panels

► Hardware Brackets



Product Code	List Price
BV-BRKT-__	\$ 49

About this product

- Fill in the blank product code to specify hardware attachment style & finish

1st Character: Attachment Option

- Top Mount (**T**)
- Clamp Mount (**C**)

2nd Character: Hardware Finish

- Black (**B**)
- Brushed Nickel (**N**)
- White (**W**)

- Shipped ready to assemble

Code Matrix

Identification	Category	Item Description	Attachment	Hardware
Bravo	Privacy	Bracket	Style	Finish
B	V	BRKT	T/C	B/N/W
		BV-BRKT-TB		

Quick Ship

Quick Ship Options

▶ Desks

Product Codes	Dimensions			Price
	D	W	H	
BD3060QS	30	60	29	\$600
BD3072QS	30	72	29	\$749
BD3060OLQS	30	60	29	\$790
BD3072OLQS	30	72	29	\$863
BDE3672_24QS	24/36	72	29	\$ 854

▶ Desk Extensions

BR2442OLQS	24	42	29	\$395
BR2436_QS	24	36	29	\$ 525

▶ Tops

BT2436TQS	24	36	1	\$199
BT2448TQS	24	48	1	\$277
BT2460TQS	24	60	1	\$338
BT2472TQS	24	72	1	\$378
BT3060TQS	30	60	1	\$378
BT3072TQS	30	72	1	\$431
BDE3672_24TQS	24/36	72	1	\$568

▶ Storage

BS2036T62QS	20	36	29	\$1135
BS2036T64QS	20	36	29	\$1314
BS2036T65QS	20	36	29	\$943
BS2036U62QS	20	36	28	\$1040
BS2036U64QS	20	36	28	\$1192
BS2036U65QS	20	36	28	\$811

▶ Pedestals

BPH1816BFQS	18	15-1/2	19	\$537
BPH1816BBFQS	18	15-1/2	25	\$706
BPM2016BFTQS	20	15-1/2	22	\$824
BPM2016BBFTQS	20	15-1/2	27	\$1011

* Specify "L" or "R" for left or right in the space of the code above when placing your order

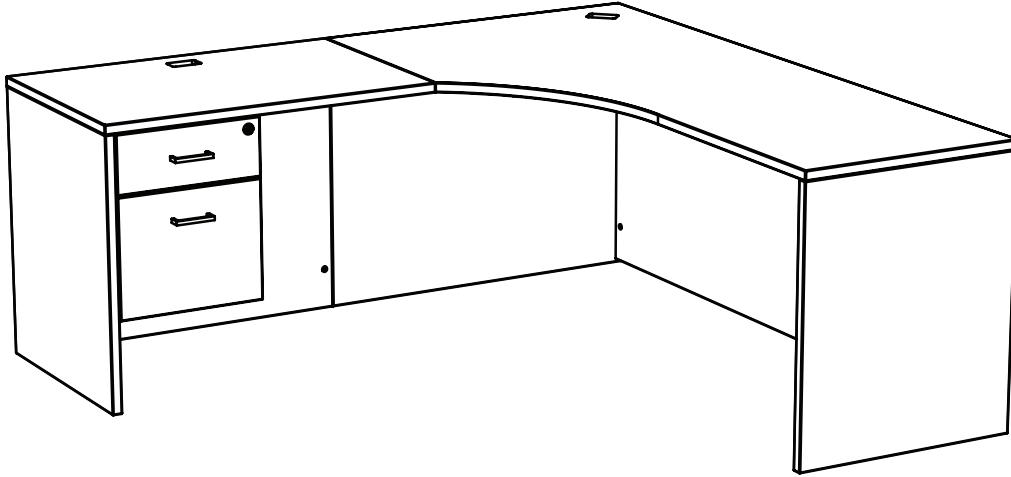
About this product

- Quick Ship items can be purchased up to **5** per item
- If you have Quick Ship items and standard lead time items on the same order then the lead time will be based on the standard items
- More information is available for each item on their main page

Packages

Packages

► L-Shapes B-01L



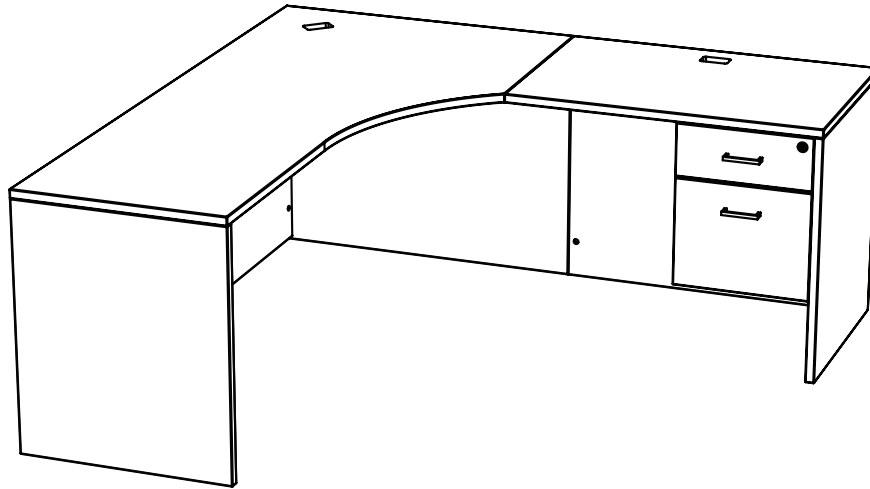
Product Codes	Dimensions			Order Quantity	Price
	D	W	H		
BDE3672R24	24/36	72	29	1	\$ 854
BR2436L	24	36	29	1	\$ 525
BPH1816BF	18	16	19	1	\$ 537
PACKAGE TOTAL					\$ 1916

About this product

- Overall package dimensions 72x72"
- Extended corner and return shell with full modesty
- Hanging box/file pedestal with locking drawers

Packages

► L-Shapes B-01R



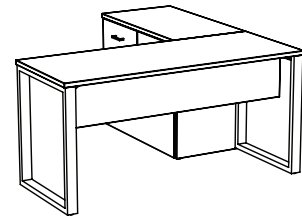
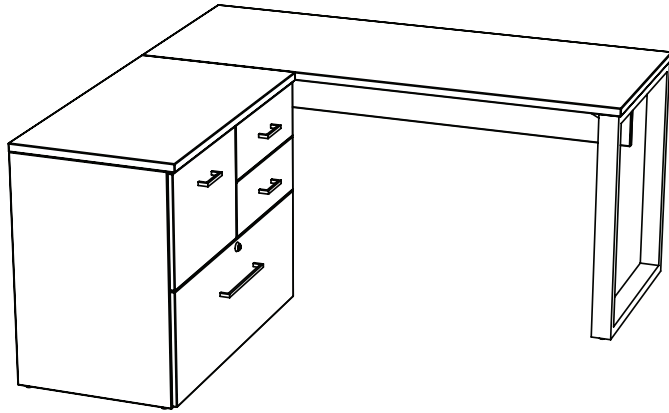
Product Codes	Dimensions			Order Quantity	Price
	D	W	H		
BDE3672L24	24/36	72	29	1	\$ 854
BR2436R	24	36	29	1	\$ 525
BPH1816BF	18	16	19	1	\$ 537
PACKAGE TOTAL					\$ 1916

About this product

- Overall package dimensions 72x72"
- Extended corner and return shell with full modesty
- Hanging box/file pedestal with locking drawers

Packages

► L-Shapes B-02



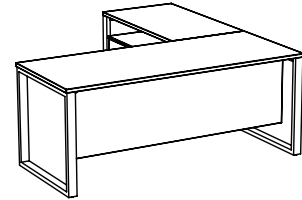
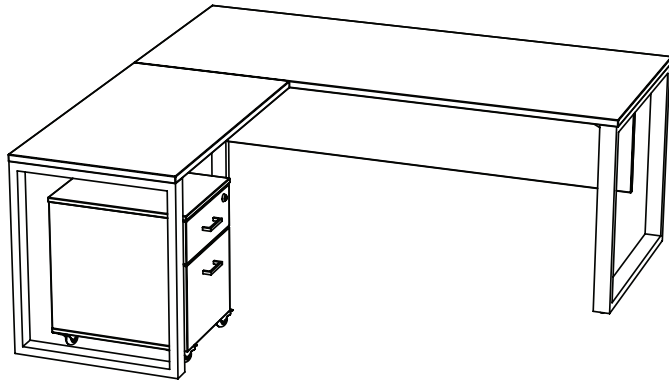
Product Codes	Dimensions			Order Quantity	Price
	D	W	H		
BD2460OL	24	60	29	1	\$ 724
BDM60D	5/8	53	10	1	\$ 217
BS2036T64	20	36	29	1	\$ 1314
PACKAGE TOTAL					\$ 2255

About this product

- Overall package dimensions 60x60"
- Straight worksurface with metal o-legs, stiffener bar, and data modesty panel
- Combo lateral with bottom drawer locking
- Desk shipped ready to assemble, storage shipped assembled

Packages

► L-Shapes B-03



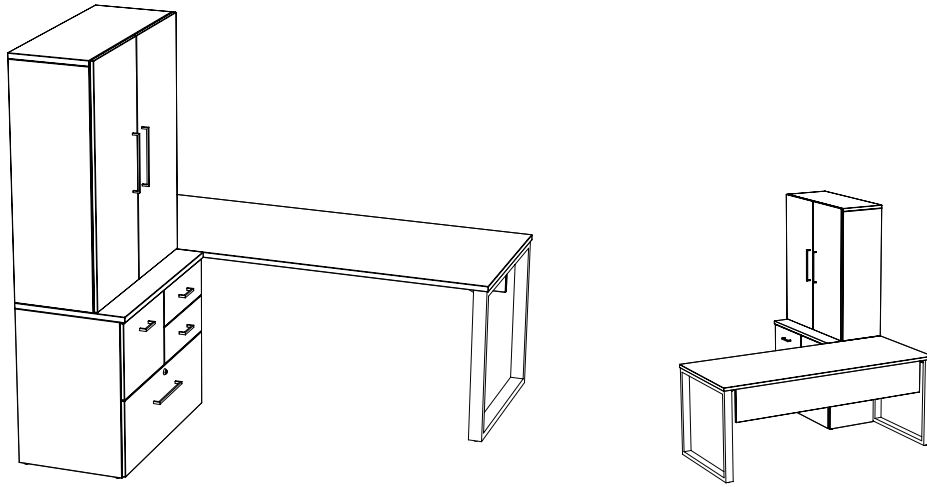
Product Codes	Dimensions			Order Quantity	Price
	D	W	H		
BD3072OL	30	72	29	1	\$ 863
BDM72S	5/8	63	19	1	\$ 339
BR2442OL	24	42	29	1	\$ 395
BPM2016BFT	20	16	22	1	\$ 824
PACKAGE TOTAL					\$ 2421

About this product

- Overall package dimensions 72x72"
- Straight worksurface & return with metal o-legs, stiffener bar, and short modesty panel
- Mobile box/file pedestal with locking drawers
- Desk and return shipped ready to assemble, pedestal shipped assembled

Packages

► L-Shapes B-04



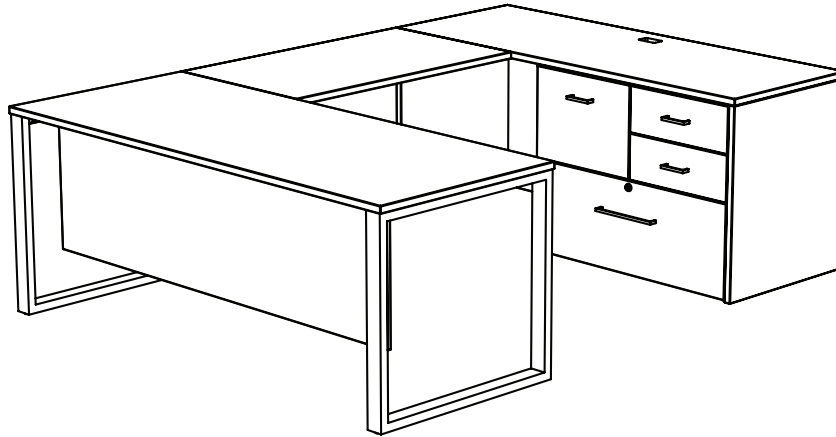
Product Codes	Dimensions			Order Quantity	Price
	D	W	H		
BD3072OL	30	72	29	1	\$ 863
BDM72D	5/8	63	10	1	\$ 229
BS2036T64	20	36	29	1	\$ 1314
BHS4336D	15	36	43	1	\$ 1164
PACKAGE TOTAL					\$ 3570

About this product

- Overall package dimensions 66x72"
- Straight worksurface with metal o-legs, stiffener bar, and data modesty panel
- Combo lateral storage with bottom drawer locking
- Hutch storage with full doors

Packages

► U-Shapes B-05



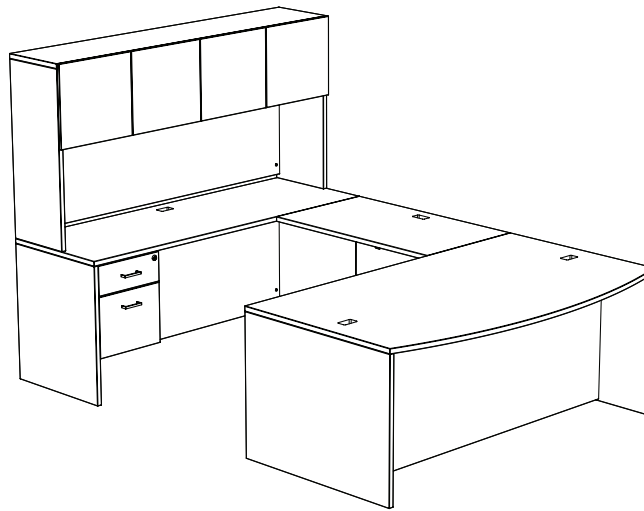
Product Codes	Dimensions			Order Quantity	Price
	D	W	H		
BD3072OL	30	72	29	1	\$ 863
BSM72S	5/8	63	19	1	\$ 339
BB2442T	24	42	1	1	\$ 271
BD2472	24	72	29	1	\$ 611
BS2036U64	20	36	28	1	\$ 1192
PACKAGE TOTAL					\$ 3276

About this product

- Overall package dimensions 72x96"
- Straight worksurface and return with metal o-legs, stiffener bar, and short modesty panel
- Combo storage with bottom drawer locking

Packages

► U-Shapes B-06



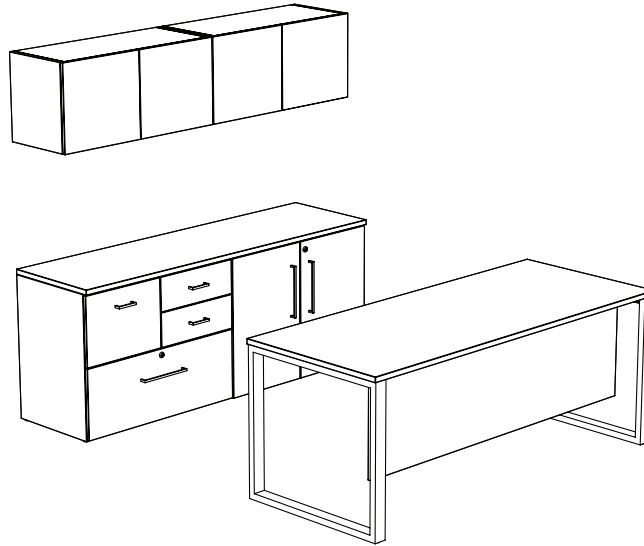
Product Codes	Dimensions			Order Quantity	Price
	D	W	H		
BDB4272	36/42	72	29	1	\$ 1027
BB2442	24	42	29	1	\$ 472
BD2472	24	72	29	1	\$ 611
BPH1816BF	18	16	19	1	\$ 537
BH3772D	15	72	37	1	\$ 1253
PACKAGE TOTAL					\$ 3900

About this product

- Overall package dimensions 72x108"
- Bowfront worksurface, bridge and credenza with full modesty panels
- Combo storage with bottom drawer locking plus desk mount hutch with cubby doors

Packages

▶ Executive B-07



Product Codes	Dimensions			Order Quantity	Price
	D	W	H		
BD3072OL	30	72	29	1	\$ 863
BS2036U64	20	36	28	1	\$ 1192
BS2036U65	20	36	28	1	\$ 811
BS2072T	20	72	1	1	\$ 317
BHW1736D	15	36	17	2	\$ 582
BDM72S	5/8	63	19	1	\$ 339
PACKAGE TOTAL					\$ 4686

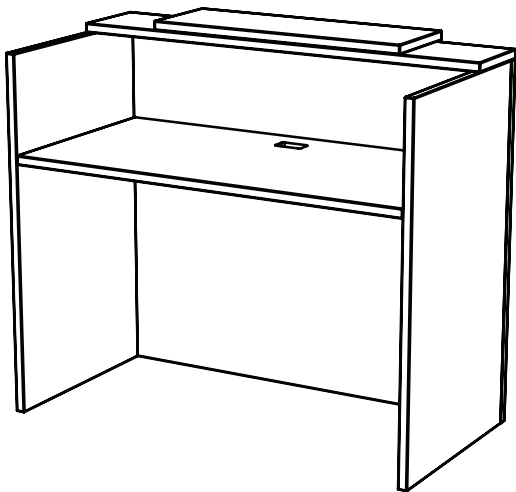
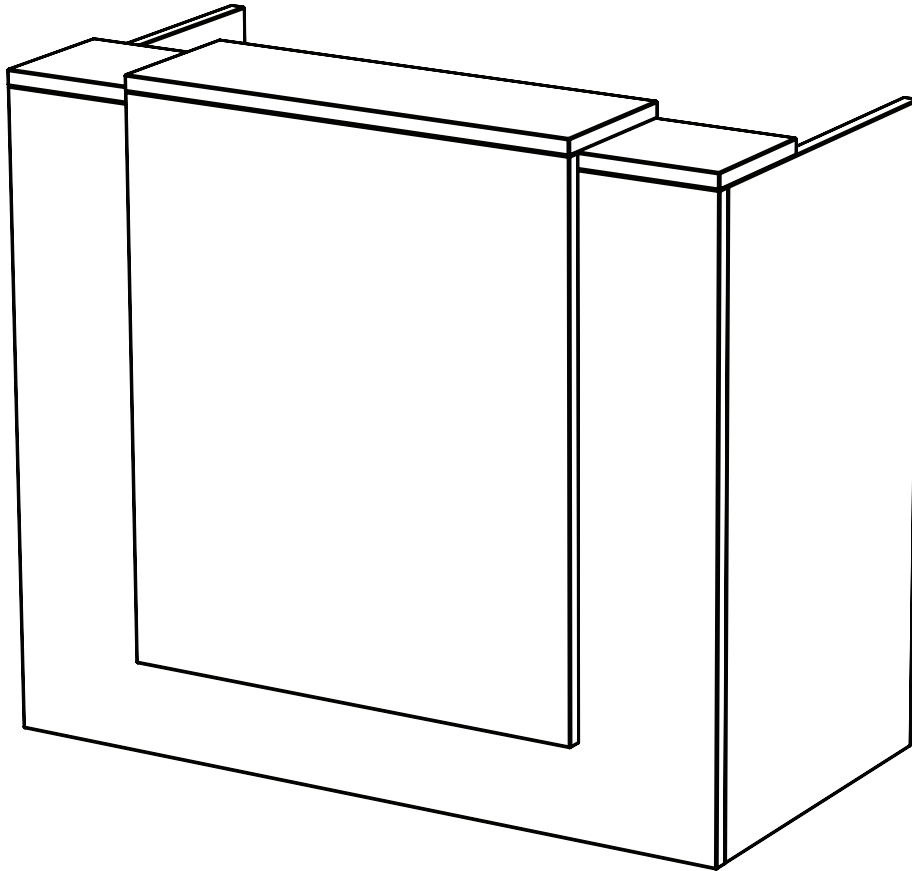
About this product

- Straight worksurface with metal o-legs and stiffener bar
- Storage cabinet and combo storage with shared top, plus wallmount hutch storage

Welcome Centres

Welcome Centres

► W-01S
Straight



About this package

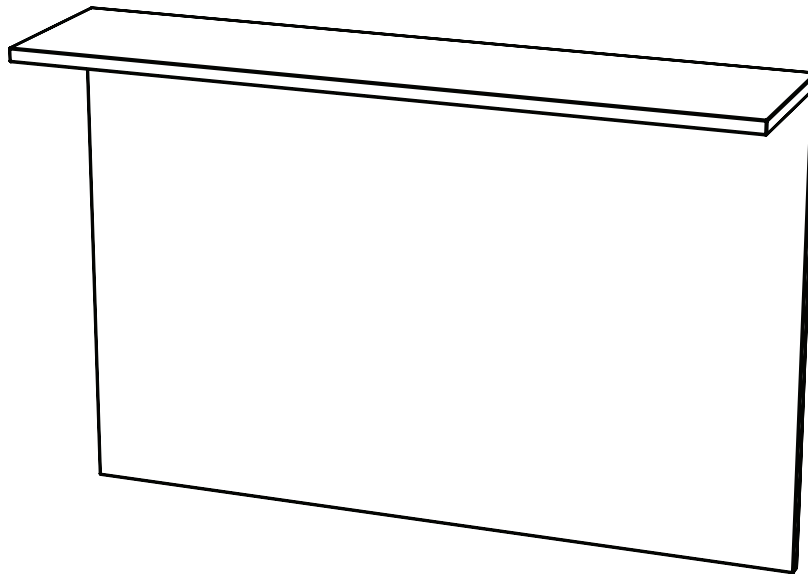
- The desk surface sits at a standard 29" high, while the raised back with waterfall finishes at 42" high
- 24" deep units come with one centered grommet
- 30" deep units come with two grommets; one in each corner
- Designed to show as few seams as possible and maintain an easy assembly, all seams are along the sides for a clean approach
- All units ship ready to assemble

of pieces to order to produce a complete package: **2**

Next two pages consist of a desk and a waterfall to complete the unit

Welcome Centres

▶ W-01S Waterfalls



Product Code	Use With	Dimensions			List Price
		D	W	H	
W-01W1030	24" Desk	10	30	36	\$ 300
W-01W1042	24" Desk	10	42	36	\$ 434
W-01W1054	24" Desk	10	54	36	\$ 549
W-01W1342	30" Desk	13	42	36	\$ 461
W-01W1348	30" Desk	13	48	36	\$ 521
W-01W1354	30" Desk	13	54	36	\$ 552
W-01W1372	30" Desk	13	72	36	\$ 764

About this product

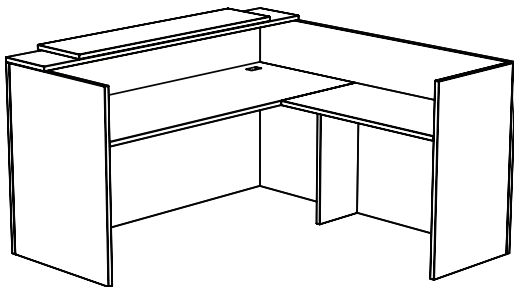
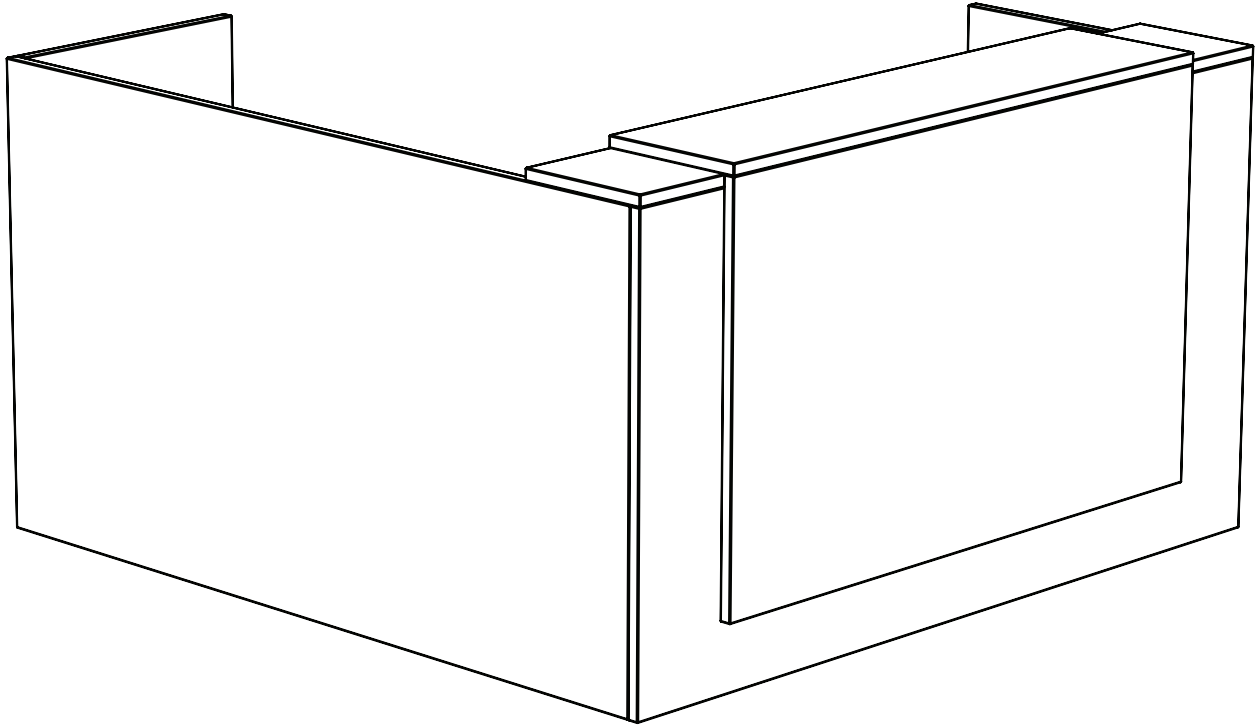
- Shipped ready to assembly
- Please note the depth of desk ordered to match the correct waterfall depth

Code Matrix

Identification	Package Design	Category	Dimensions
Welcome Centre	Number	Waterfall	Depth x Width
W	01	W	10 x 30
┌──────────────────┴──────────────────┬──────────────────┴──────────────────┐			
W-01W1030			

Welcome Centres

► W-01
L-Shape



About this package

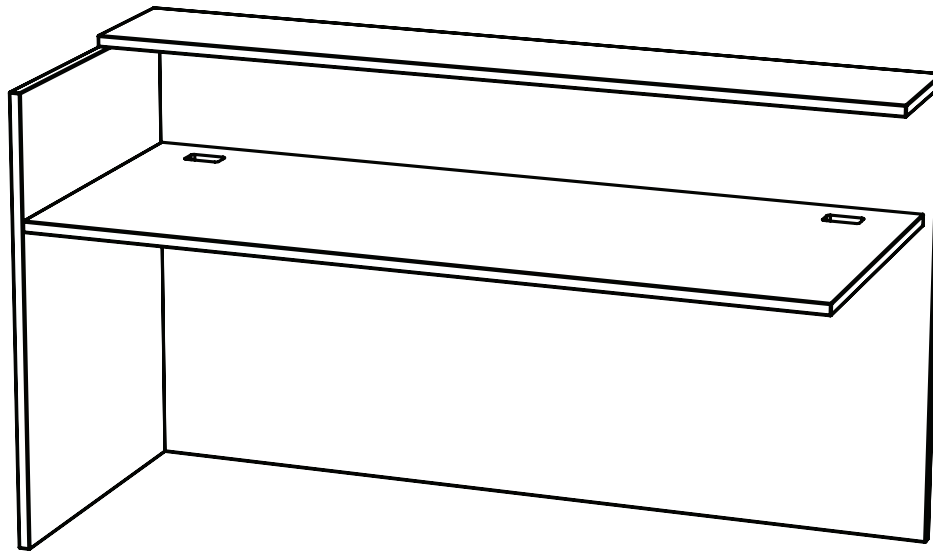
- The desk surface sits at a standard 29" high, while the raised back with waterfall finishes at 42" high
- 30" deep units come with two grommets; one in each corner
- Designed to show as few seams as possible and maintain an easy assembly, all seams are along the sides for a clean approach
- All units ship ready to assemble

of pieces to order to produce a complete package: **3**

Next three pages consist of a desk, return and a waterfall to complete the unit

Welcome Centres

► W-01 L-Shape Desks



Product Code	Dimensions			List Price
	D	W	H	
W-01D3060_	30	60	29/41	\$ 1351
W-01D3066_	30	66	29/41	\$ 1451
W-01D3072_	30	72	29/41	\$ 1476
W-01D3084_	30	84	29/41	\$ 1880
W-01D3096_	30	96	29/41	\$ 2076

* Specify "L" or "R" for left or right in the space of the code above when placing your order
image above is a left hand unit ("L")

About this product

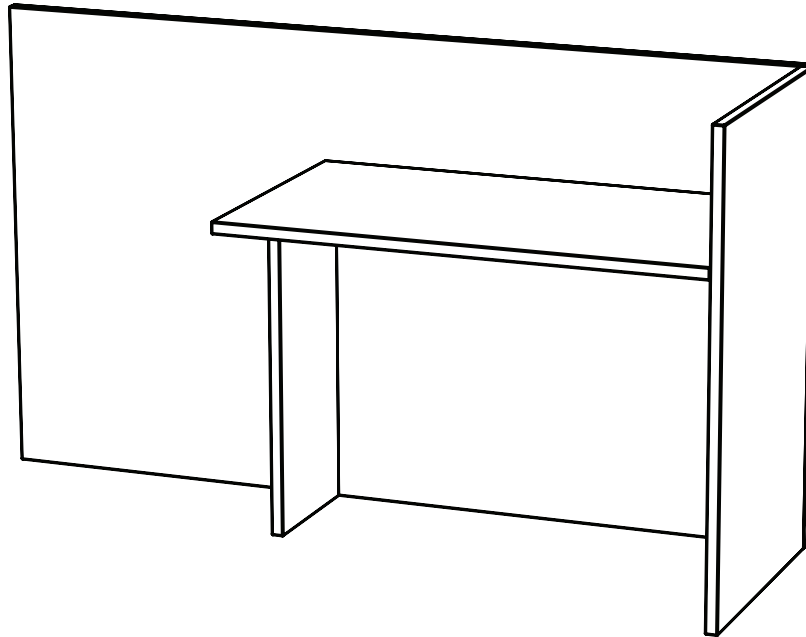
- Shipped ready to assembly
- 84" and 96" desks will have a center half gable support under both the desk and upper ledge
- Two grommets; one in each corner
- Ledge is 12" deep
- Desk must be ordered with the matching return

Code Matrix

Identification	Package Design	Category	Dimensions	Which Hand
Welcome Centre	Number	Desk	Depth x Width	Left / Right
W	01	D	30 x 60	L / R
┌──────────────────┴──────────────────┬──────────────────┴──────────────────┬──────────────────┴──────────────────┬──────────────────┴──────────────────┬──────────────────┴──────────────────┐				
W-01D3060L				

Welcome Centres

► W-01 L-Shape Returns



Product Code	Dimensions			List Price
	D	W	H	
W-01R2430_59	24	30	29/40	\$ 1033
W-01R2436_65	24	36	29/40	\$ 1115
W-01R2442_71	24	42	29/40	\$ 1115
W-01R2448_77	24	48	29/40	\$ 1267

* Specify "L" or "R" for left or right in the space of the code above when placing your order
image above is a right hand unit ("R")

About this product

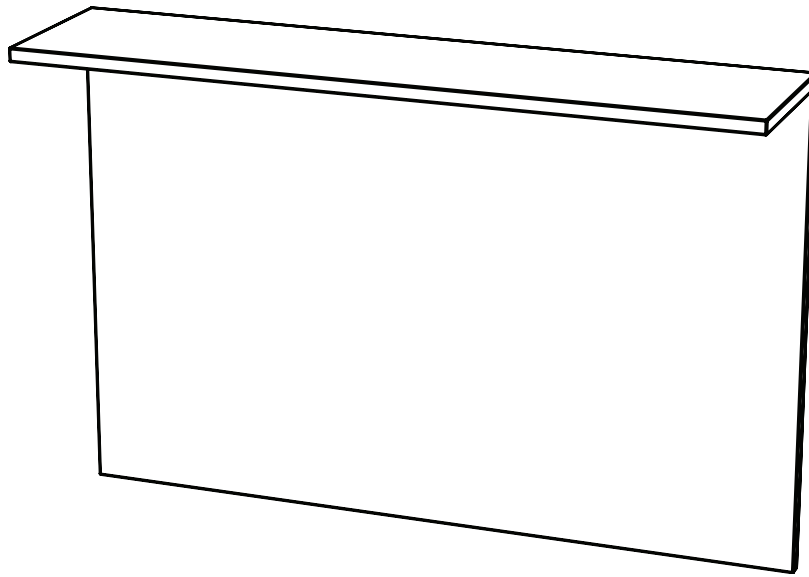
- Shipped ready to assembly
- No grommets
- Back extends to connect with the desk
- Order the opposite hand of the desk (ie left hand return to match a right hand desk)

Code Matrix

Identification	Package Design	Category	Dimensions	Which Hand	Back Extension
Welcome Centre	Number	Return	Depth x Width	Left / Right	Length
W	01	R	24 x 30	L / R	59
┌──────────┴──────────┬──────────┴──────────┬──────────┴──────────┬──────────┴──────────┬──────────┴──────────┬──────────┴──────────┐					
W-01R2430L59					

Welcome Centres

► W-01 L-Shape Waterfalls



Product Code	Use With	Dimensions			List Price
		D	W	H	
W-01W1342	30" Desk	13	42	36	\$ 461
W-01W1348	30" Desk	13	48	36	\$ 521
W-01W1354	30" Desk	13	54	36	\$ 552
W-01W1372	30" Desk	13	72	36	\$ 764

About this product

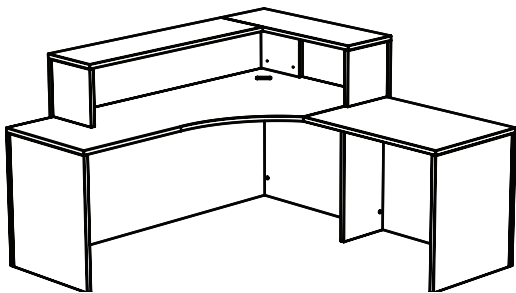
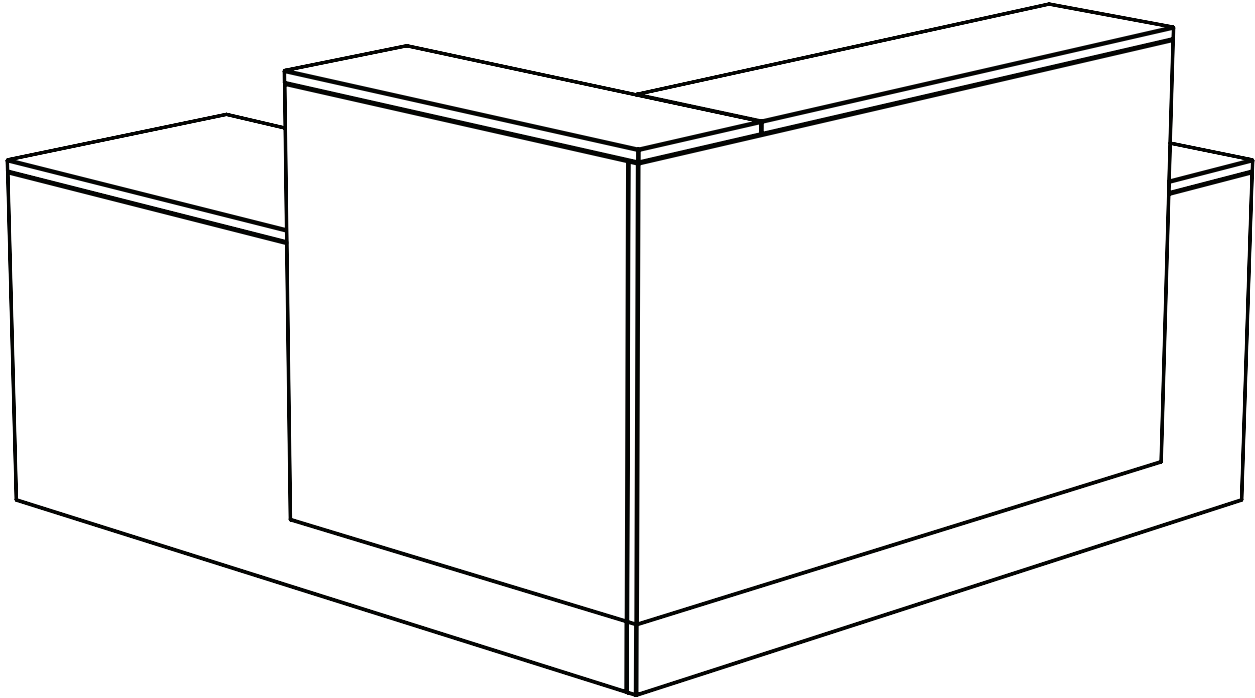
- Shipped ready to assembly
- Please note the depth of desk ordered to match the correct waterfall depth

Code Matrix

Identification	Package Design	Category	Dimensions
Welcome Centre	Number	Waterfall	Depth x Width
W	01	W	13x 42
┌───────────────────┴───────────────────┬───────────────────┴───────────────────┐			
W-01W1342			

Welcome Centres

► W-02
L-Shape



About this package

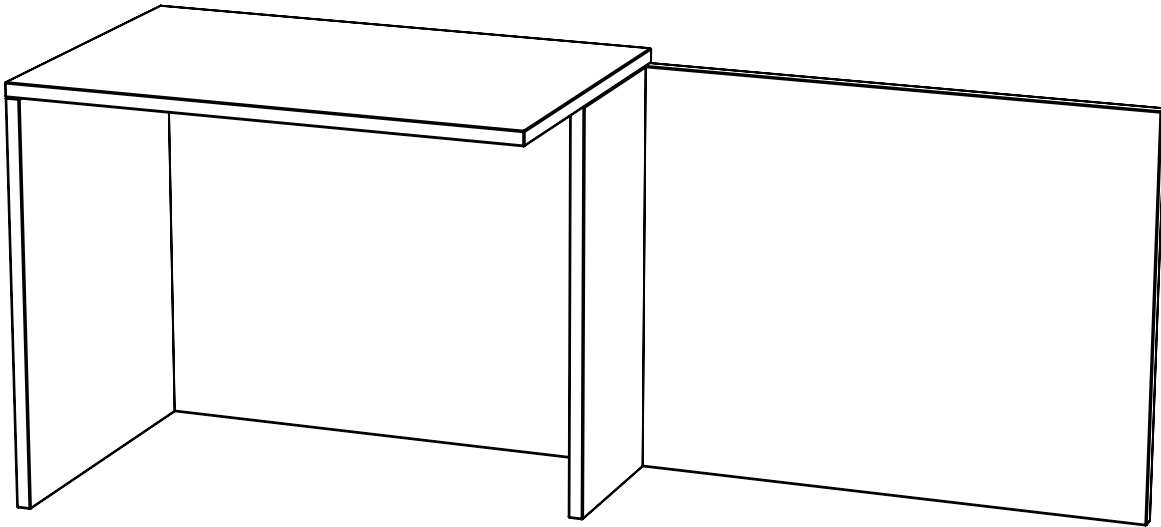
- The desk surface sits at a standard 29" high, while the waterfall finishes at 42" high
- The extended corner desk of this package comes with one grommet in the corner
- Designed to show as few seams as possible and maintain an easy assembly, all seams are along the sides for a clean approach
- All units ship ready to assemble

of pieces to order to produce a complete package: **3**

Next three pages consist of a desk, return and a waterfall to complete the unit

Welcome Centres

► W-02 L-Shape Returns



Product Code	Dimensions			List Price
	D	W	H	
W-02R2430_65	24	30	29	\$ 860
W-02R2436_71	24	36	29	\$ 860
W-02R2442_77	24	42	29	\$ 1003
W-02R2448_83	24	48	29	\$ 1069

* Specify "L" or "R" for left or right in the space of the code above when placing your order
 image above is a left hand unit ("L")

About this product

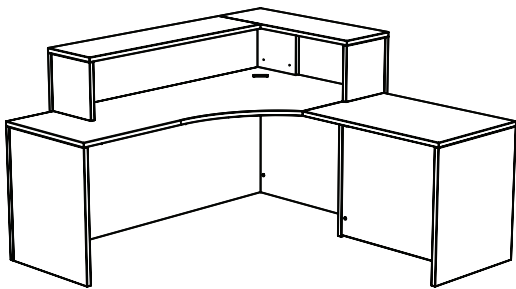
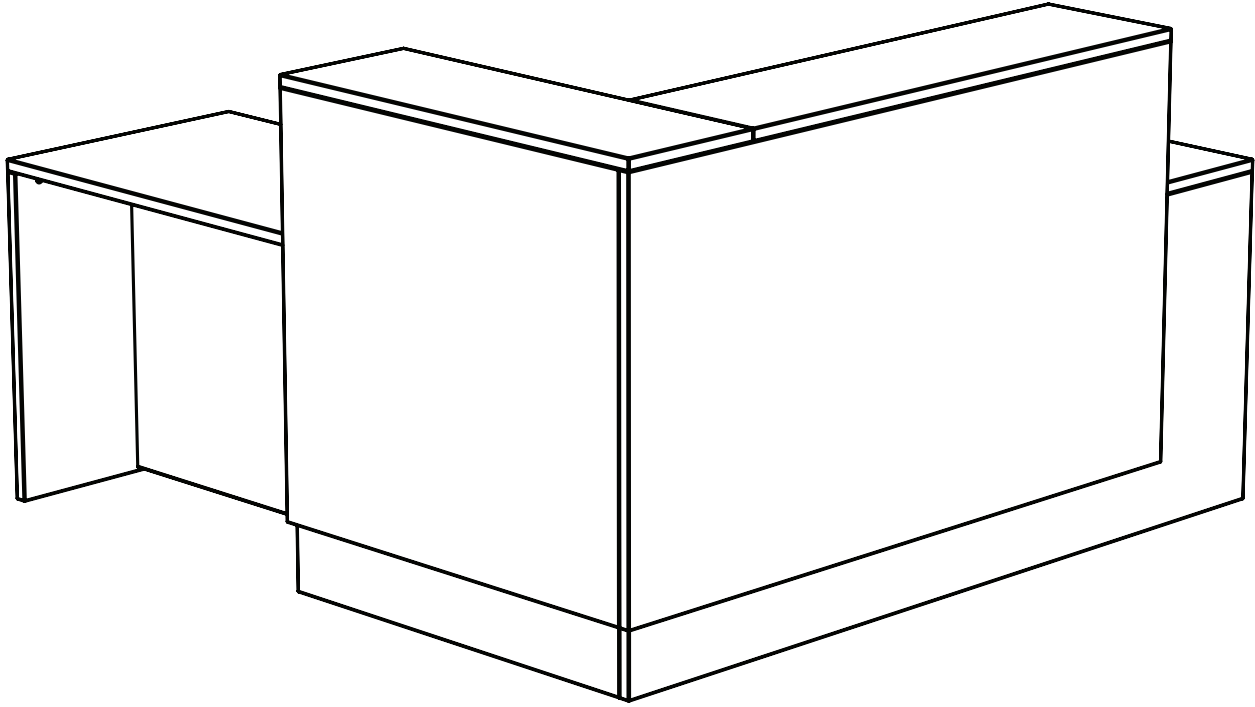
- Shipped ready to assembly
- No grommets
- Back extends to connect with the desk
- Order the opposite hand of the desk (ie. left hand return to match a right hand desk)

Code Matrix

Identification	Package Design	Category	Dimensions	Which Hand	Back Extension
Welcome Centre	Number	Return	Depth x Width	Left / Right	Length
W	02	R	24 x 30	L / R	65
└──────────┬──────────┬──────────┬──────────┬──────────┬──────────┘					
W-02R2430L65					

Welcome Centres

► W-02A
Accessible L-Shape



About this package

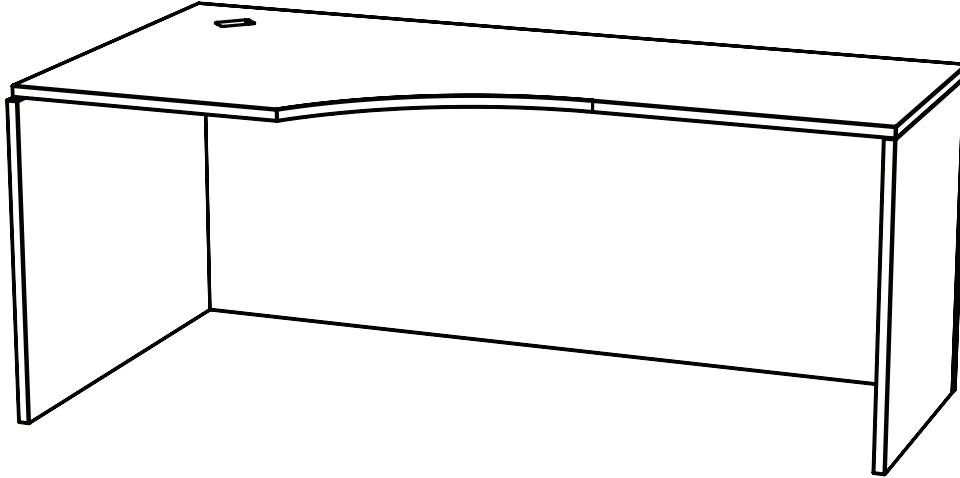
- The desk surface sits at a standard 29" high, while the waterfall finishes at 42" high
- The extended corner desk of this package comes with one grommet in the corner
- The return has an inset modesty so that it is accessible for wheelchairs
- Designed to show as few seams as possible and maintain an easy assembly, all seams are along the sides for a clean approach
- All units ship ready to assemble

of pieces to order to produce a complete package: **3**

Next three pages consist of a desk, return and a waterfall to complete the unit

Welcome Centres

► W-02A Accessible L-Shape Desks



Product Code	Dimensions			List Price
	D	W	H	
W-02ADE3660_	24/36	60	29	\$ 984
W-02ADE3666_	24/36	66	29	\$ 1064
W-02ADE3672_	24/36	72	29	\$ 1090
W-02ADE3684_	24/36	84	29	\$ 1382
W-02ADE3696_	24/36	96	29	\$ 1537

* Specify "L" or "R" for left or right in the space of the code above when placing your order
 image above is a right hand unit ("R")

About this product

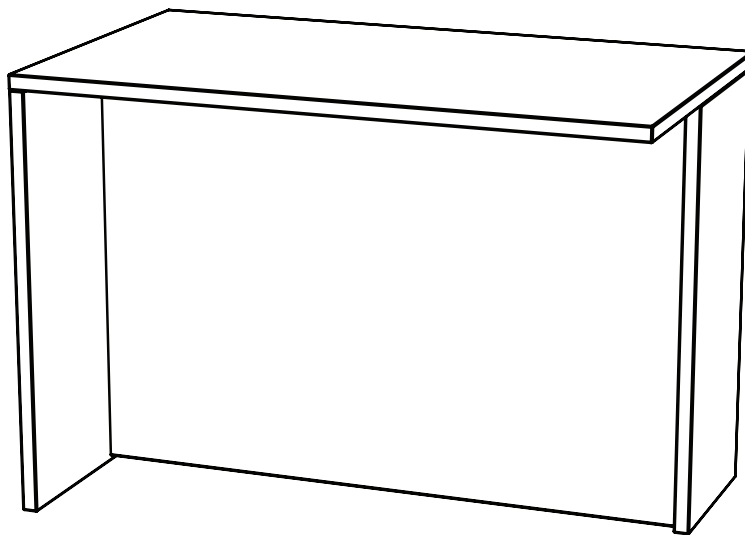
- Shipped ready to assembly
- 84" and 96" desks will have a center half gable support under the desk
- One grommet in the corner
- Desk must be ordered with the matching return

Code Matrix

Identification	Package Design	Category	Dimensions	Which Hand
Welcome Centre	Number	Desk	Depth x Width	Left / Right
W	02A	D	36 x 60	L / R
┌──────────┴──────────┬──────────┬──────────┬──────────┴──────────┐ W-02AD3660R				

Welcome Centres

► W-02A Accessible L-Shape Returns



Product Code	Dimensions			List Price
	D	W	H	
W-02AR2436_	24	36	29	\$ 860
W-02AR2442_	24	42	29	\$ 1003
W-02AR2448_	24	48	29	\$ 1069

* Specify "L" or "R" for left or right in the space of the code above when placing your order
image above is a left hand unit ("L")

About this product

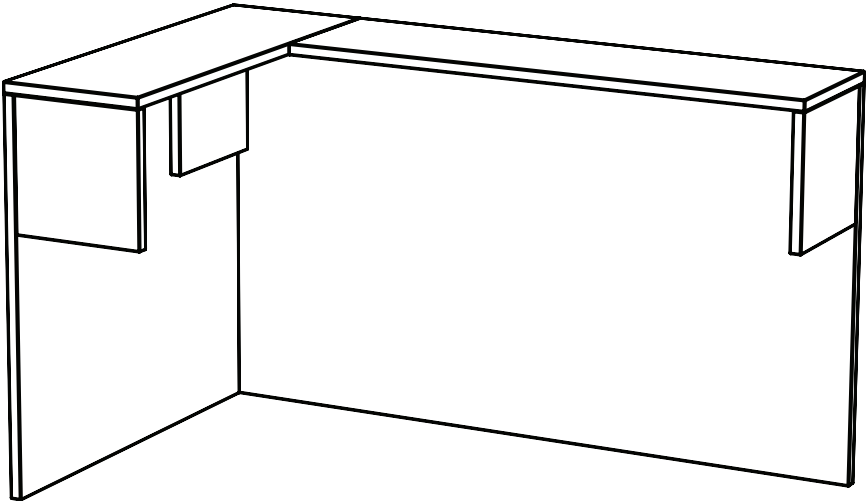
- Shipped ready to assembly
- No grommets
- Back is inset in the center for wheelchair accessibility
- Order the opposite hand of the desk (ie left hand return to match a right hand desk)

Code Matrix

Identification	Package Design	Category	Dimensions	Which Hand
Welcome Centre	Number	Return	Depth x Width	Left / Right
W	02A	R	24 x 36	L / R
┌──────────────────────────────────┴──────────────────────────────────┐				
└──────────────────────────────────┬──────────────────────────────────┘				
W-02AR2436L				

Welcome Centres

▶ W-02A Accessible L-Shape Waterfalls



Product Code	Dimensions			List Price
	D	W	H	
W-02W3849_	13	38/49	36	\$ 1045
W-02W3861_	13	38/61	36	\$ 1085
W-02W3873_	13	38/73	36	\$ 1288

* Specify "L" or "R" for left or right in the space of the code above when placing your order image above is a right hand unit ("R")

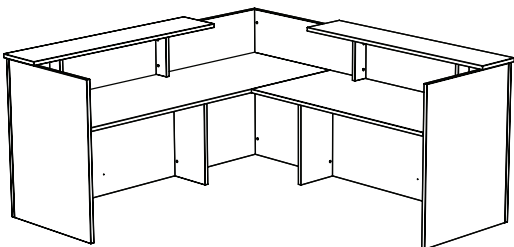
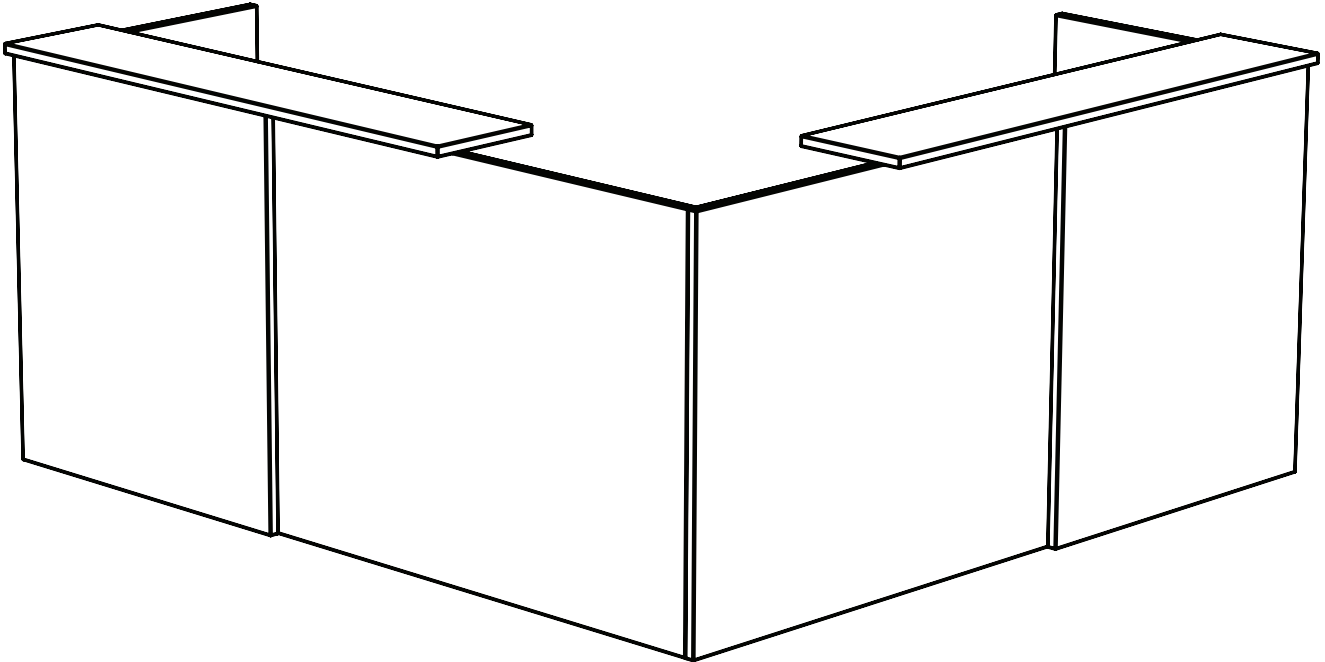
About this product

- Shipped ready to assembly
- Order a left hand waterfall with a left hand desk, and a right waterfall with a right desk
- The longer side extends down the length of the desk

Code Matrix				
Identification	Package Design	Category	Dimensions	Which Hand
Welcome Centre	Number	Waterfall	Width x Width	Left / Right
W	02	W	38 x 49	L / R
W-02W3849R				

Welcome Centres

► W-03
L-Shape



About this package

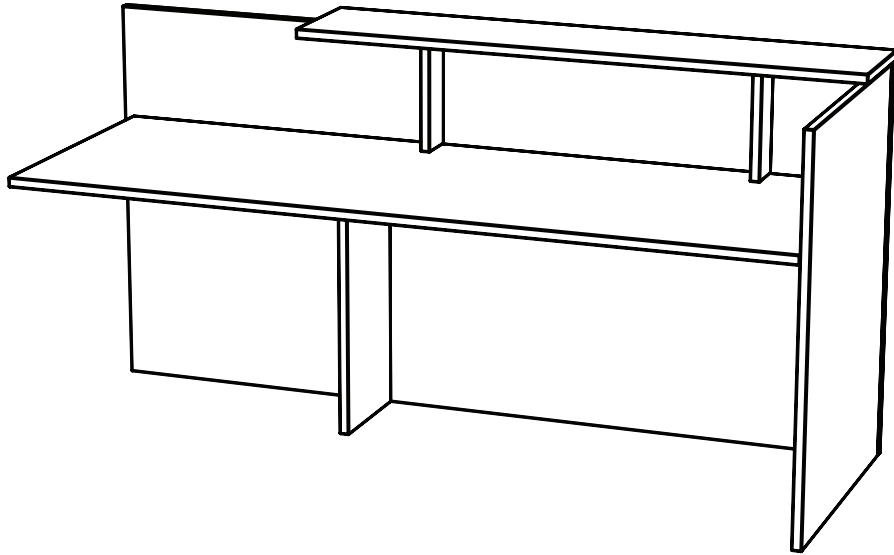
- The desk surface sits at a standard 29" high, while the transaction top finishes at 42" high
- This package does not include grommets
- Designed to show as few seams as possible and maintain an easy assembly, all seams are along the sides for a clean approach
- All units ship ready to assemble

of pieces to order to produce a complete package: **2**

Next two pages consist of a desk and a return to complete the unit

Welcome Centres

► W-03 L-Shape Desks



Product Code	Dimensions			List Price
	D	W	H	
W-03D3084_	30	84	29/42	\$ 1903

* Specify "L" or "R" for left or right in the space of the code above when placing your order
 image above is a right hand unit ("R")

About this product

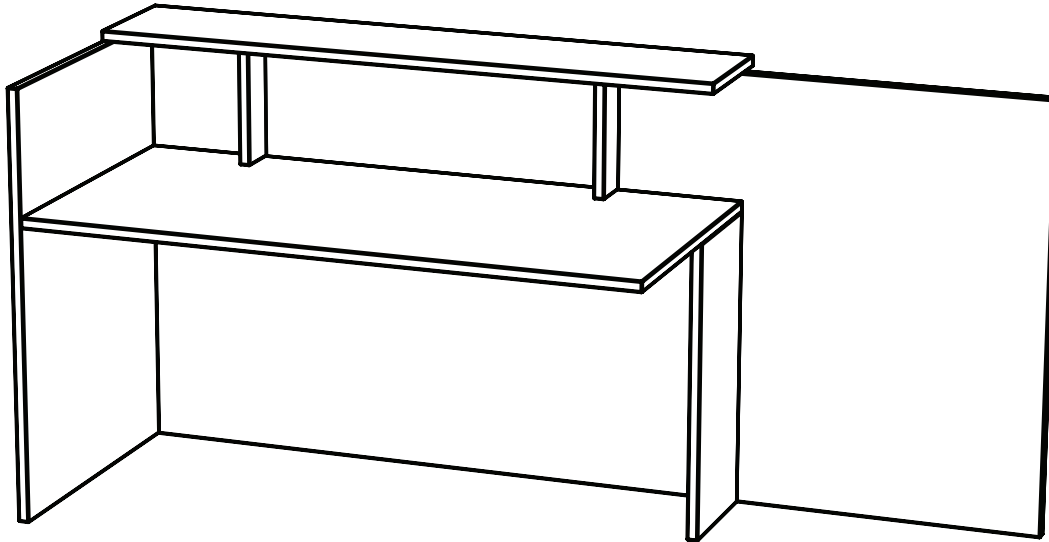
- Shipped ready to assembly
- No grommets
- Desk must be ordered with the matching return

Code Matrix

Identification	Package Design	Category	Dimensions	Which Hand
Welcome Centre	Number	Desk	Depth x Width	Left / Right
W	03	D	30 x 84	L / R
┌──────────────────┴──────────────────┬──────────────────┴──────────────────┬──────────────────┴──────────────────┬──────────────────┴──────────────────┬──────────────────┴──────────────────┐				
W-03D3084R				

Welcome Centres

► W-03 L-Shape Returns



Product Code	Dimensions			List Price
	D	W	H	
W-03R3060_89	30	60/89	29/42	\$ 1950

* Specify "L" or "R" for left or right in the space of the code above when placing your order
 image above is a left hand unit ("L")

About this product

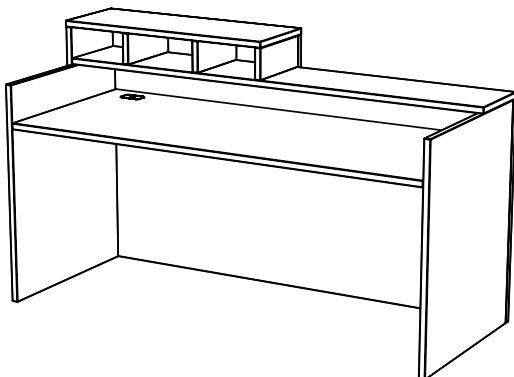
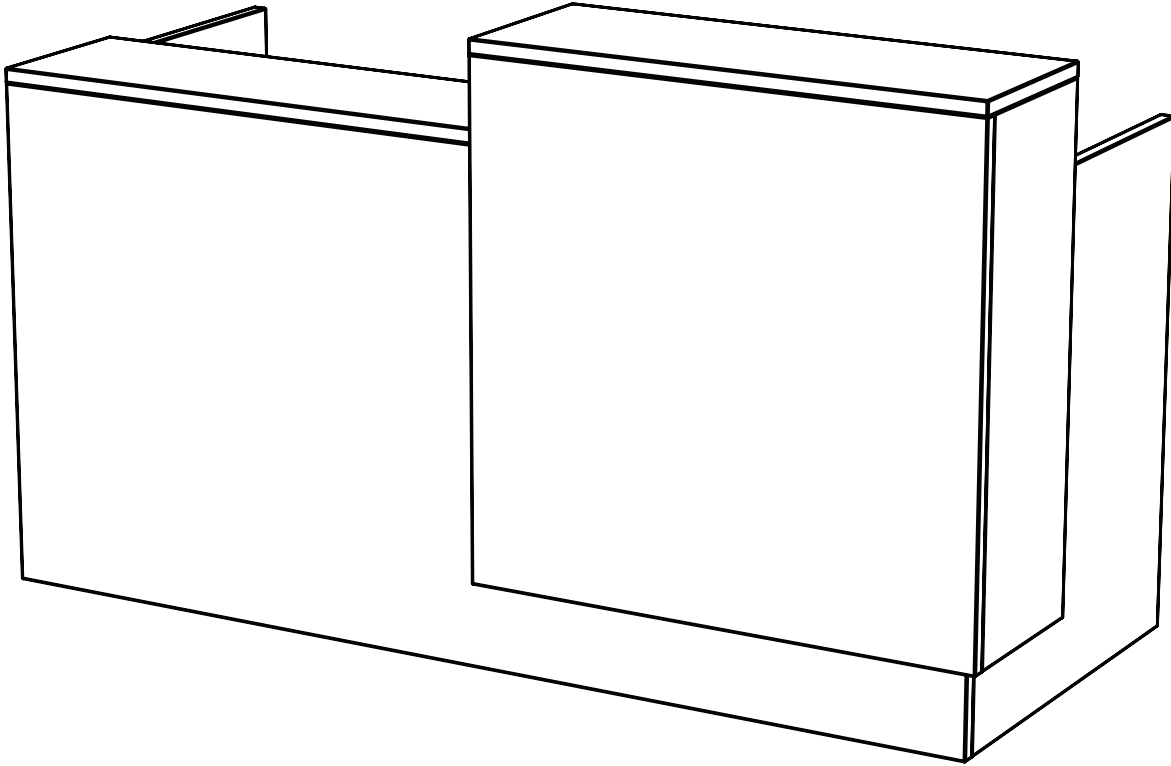
- Shipped ready to assembly
- No grommets
- Return must be ordered with the matching return

Code Matrix

Identification	Package Design	Category	Dimensions	Which Hand	Back Extension
Welcome Centre	Number	Return	Depth x Width	Left / Right	Length
W	03	R	30 x 60	L / R	89
----- ----- ----- ----- ----- -----					
W-03R3060L89					

Welcome Centres

► W-04S
Straight



About this package

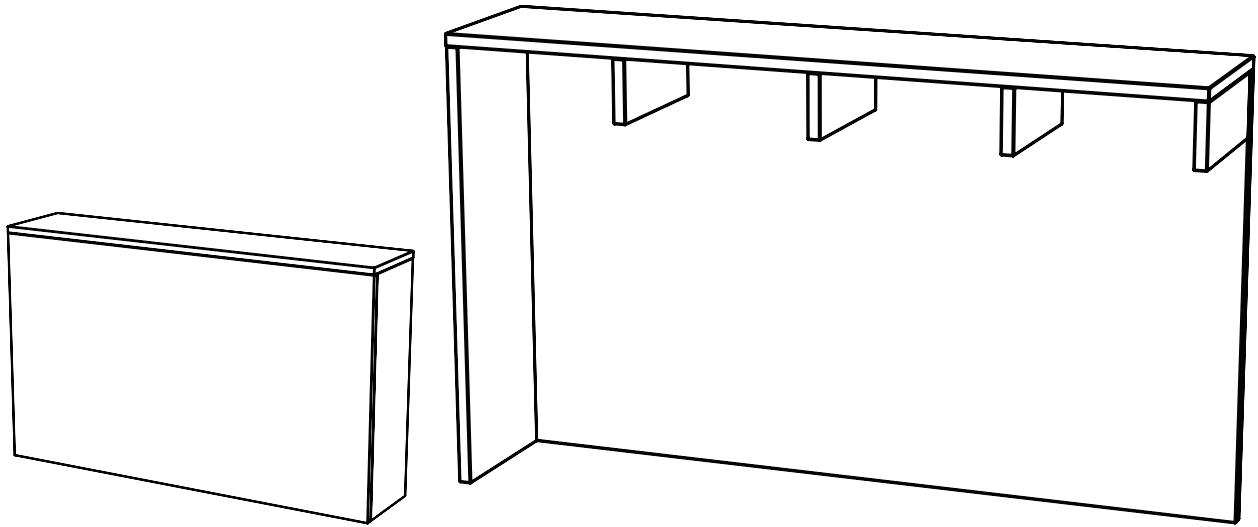
- The desk surface sits at a standard 29" high, while the raised back with waterfall finishes at 36" and 42" high
- Designed to show as few seams as possible and maintain an easy assembly, all seams are along the sides for a clean approach
- All units ship ready to assemble

of pieces to order to produce a complete package: **2**

Next three pages consist of a desk, and two waterfall options to complete the unit

Welcome Centres

► W-04S End Waterfalls



Product Code	Dimensions			List Price
	D	W	H	
W-04W1336	13	36	36	\$ 580
W-04W1343	13	43	36	\$ 623
W-04W1354	13	54	36	\$ 822
W-04W1360	13	60	36	\$ 882
W-04W1372	13	72	36	\$ 1036

About this product

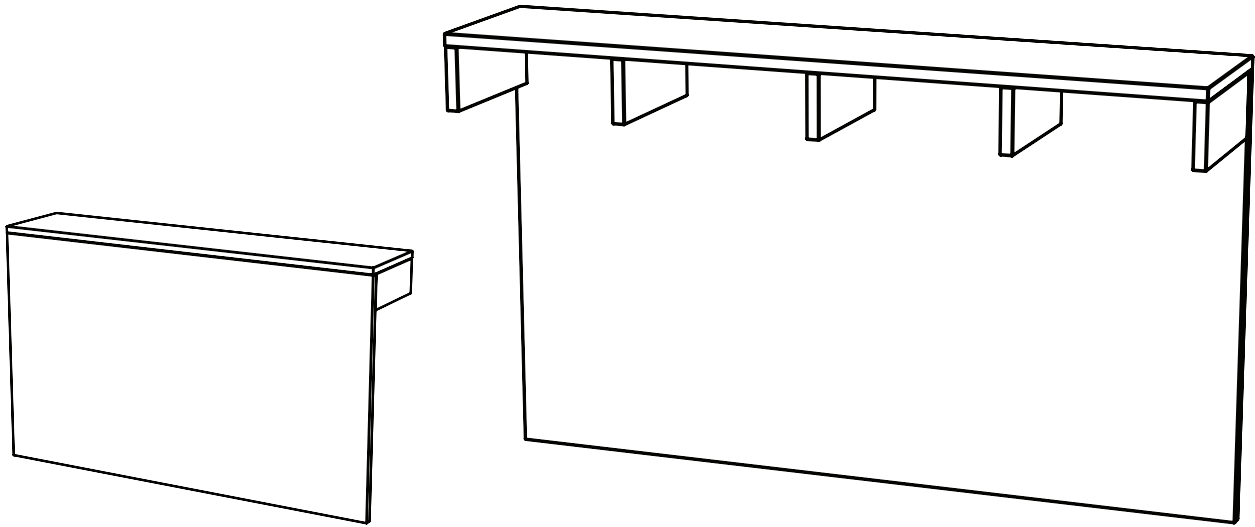
- Shipped ready to assembly
- Universal right/left, can be installed on either side of the desk

Code Matrix

Identification	Package Design	Category	Dimensions
Welcome Centre	Number	Waterfall	Depth x Width
W	04	W	13x 36
┌───────────────────┴───────────────────┐ W-04W1336			

Welcome Centres

► W-04S Center Waterfalls



Product Code	Dimensions			List Price
	D	W	H	
W-04W1336C	13	36	36	\$ 527
W-04W1343C	13	43	36	\$ 598
W-04W1354C	13	54	36	\$ 745
W-04W1360C	13	60	36	\$ 807
W-04W1372C	13	72	36	\$ 953

About this product

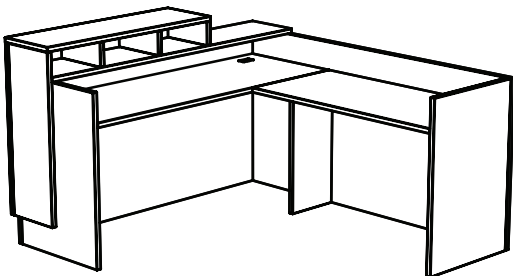
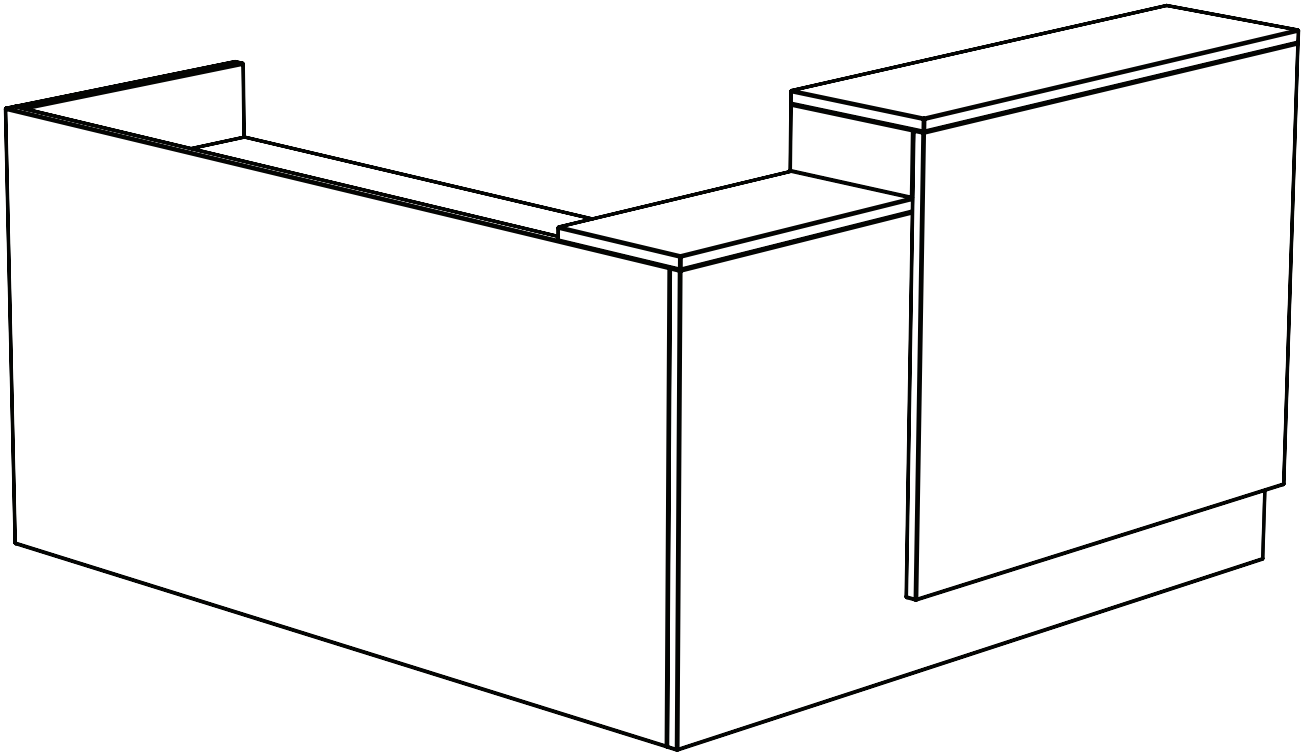
- Shipped ready to assembly
- Sits centered on a desk, no overhang on either end

Code Matrix

Identification	Package Design	Category	Dimensions	Position
Welcome Centre	Number	Waterfall	Depth x Width	Centered
W	04	W	13 x 36	C
┌──────────────────┴──────────────────┬──────────────────┴──────────────────┐				
W-04W1336C				

Welcome Centres

► W-04
L-Shape



About this package

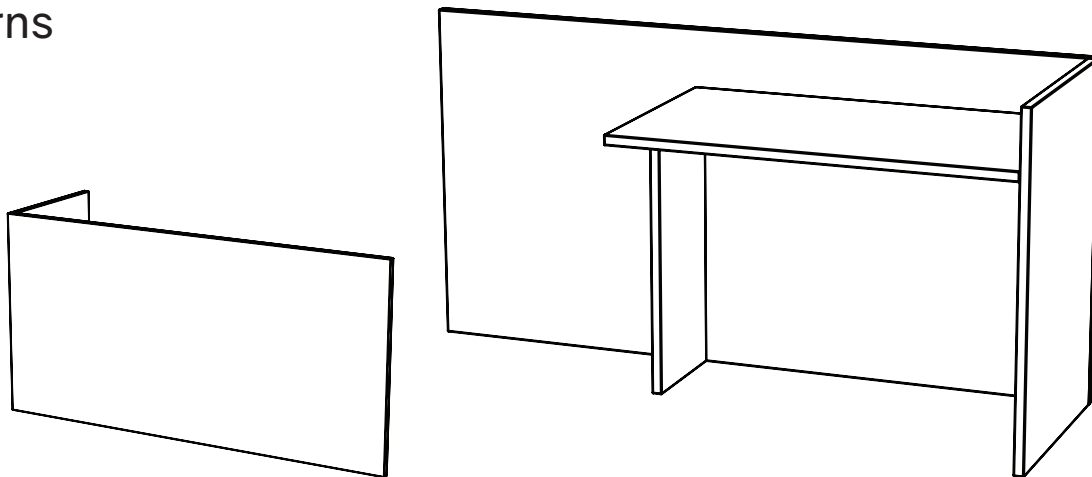
- The desk surface sits at a standard 29" high, while the raised back with waterfall finishes at 36" and 42" high
- Designed to show as few seams as possible and maintain an easy assembly, all seams are along the sides for a clean approach
- All units ship ready to assemble

of pieces to order to produce a complete package: **3**

Next four pages consist of a desk, return, and two waterfall options to complete the unit

Welcome Centres

► W-04 L-Shape Returns



Product Code	Use With	Dimensions			List Price
		D	W	H	
W-04R2424_47	24" Desk	24	24	29/35	\$ 833
W-04R2430_53	24" Desk	24	30	29/35	\$ 903
W-04R2436_59	24" Desk	24	36	29/35	\$ 974
W-04R2442_65	24" Desk	24	42	29/35	\$ 999
W-04R2448_71	24" Desk	24	48	29/35	\$ 999
W-04R2424_53	30" Desk	24	24	29/35	\$ 880
W-04R2430_59	30" Desk	24	30	29/35	\$ 944
W-04R2436_65	30" Desk	24	36	29/35	\$ 1014
W-04R2442_71	30" Desk	24	42	29/35	\$ 1085
W-04R2448_77	30" Desk	24	48	29/35	\$ 1155

* Specify "L" or "R" for left or right in the space of the code above when placing your order
image above is a right hand unit ("R")

About this product

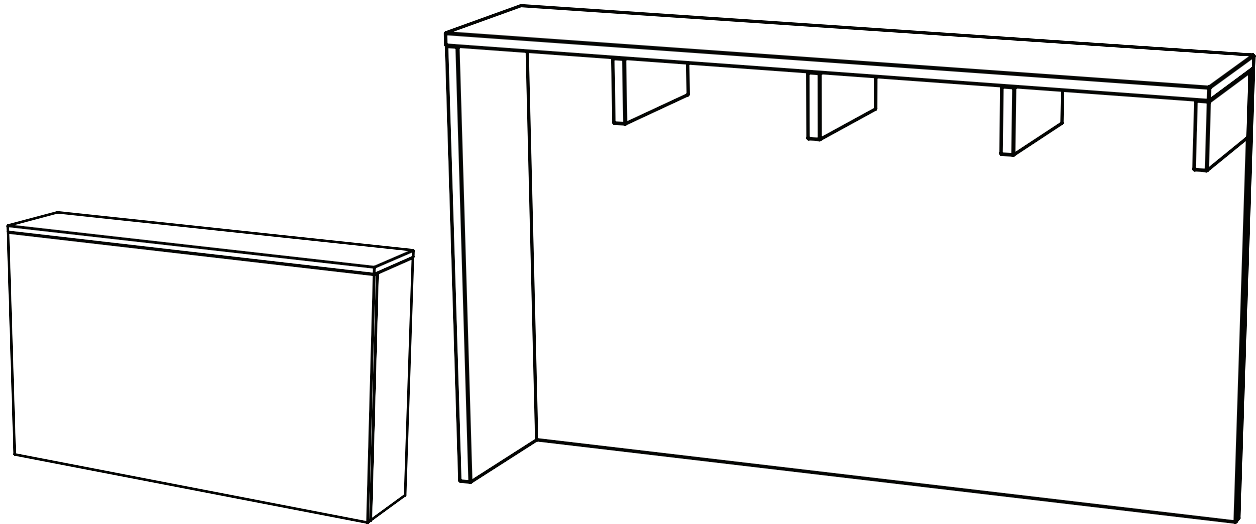
- Shipped ready to assembly
- Please note the depth of desk ordered to match the correct return
- Return must be ordered with the matching desk
- Order the opposite hand of the desk (ie left hand return to match a right hand desk)

Code Matrix

Identification	Package Design	Category	Dimensions	Which Hand	Back Extension
Welcome Centre	Number	Return	Depth x Width	Left / Right	Length
W	04	R	24 x 24	L / R	47
----- ----- ----- ----- ----- -----					
W-04R2424R47					

Welcome Centres

► W-04S End Waterfalls



Product Code	Dimensions			List Price
	D	W	H	
W-04W1336	13	36	36	\$ 580
W-04W1343	13	43	36	\$ 623
W-04W1354	13	54	36	\$ 822
W-04W1360	13	60	36	\$ 882
W-04W1372	13	72	36	\$ 1036

About this product

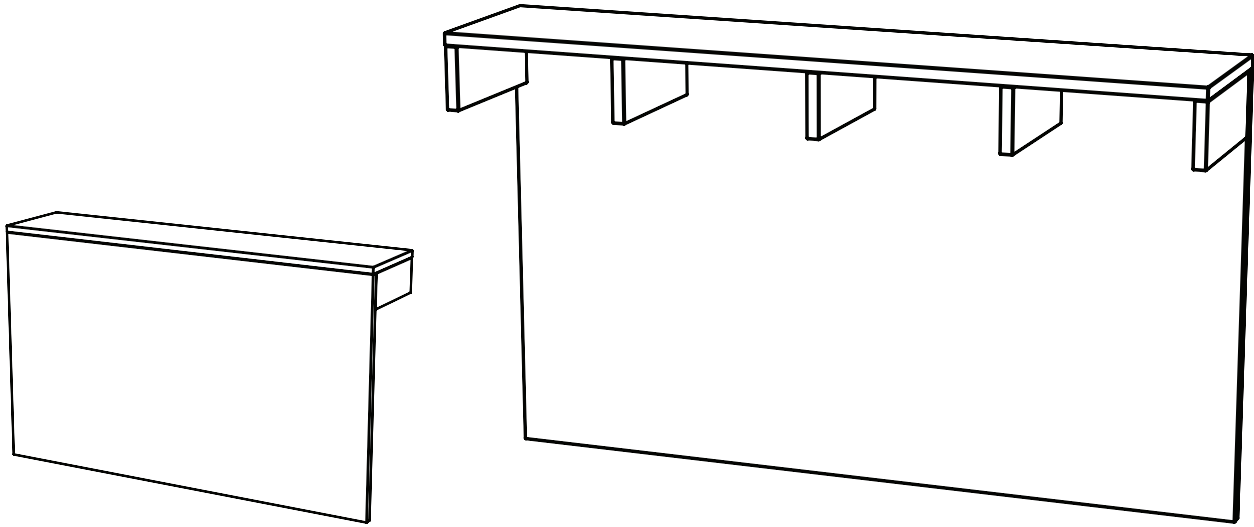
- Shipped ready to assembly
- Universal right/left, can be installed on either side of the desk

Code Matrix

Identification	Package Design	Category	Dimensions
Welcome Centre	Number	Waterfall	Depth x Width
W	04	W	13x 36
┌──────────────────┴──────────────────┬──────────────────┴──────────────────┐			
W-04W1336			

Welcome Centres

► W-04S Center Waterfalls



Product Code	Dimensions			List Price
	D	W	H	
W-04W1336C	13	36	36	\$ 527
W-04W1343C	13	43	36	\$ 598
W-04W1354C	13	54	36	\$ 745
W-04W1360C	13	60	36	\$ 807
W-04W1372C	13	72	36	\$ 953

About this product

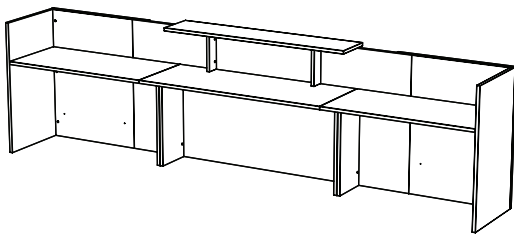
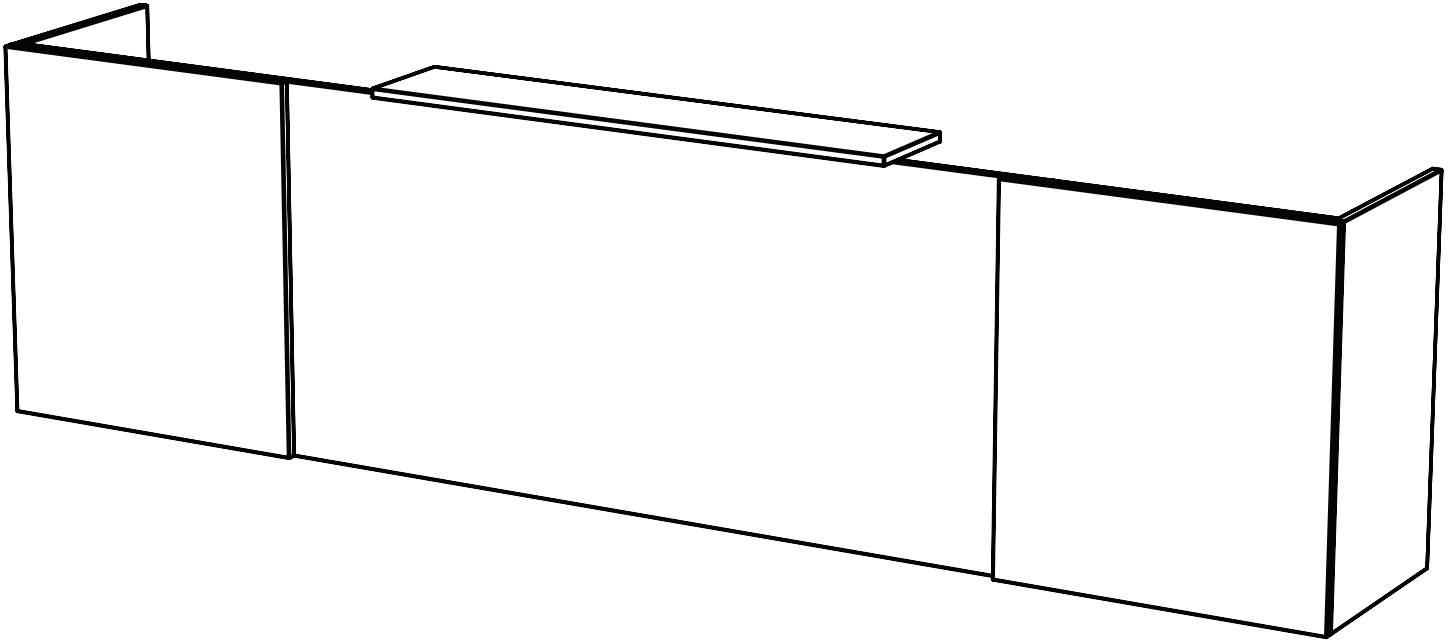
- Shipped ready to assembly
- Sits centered on a desk, no overhang on either end

Code Matrix

Identification	Package Design	Category	Dimensions	Position
Welcome Centre	Number	Waterfall	Depth x Width	Centered
W	04	W	13 x 36	C
┌──────────┴──────────┬──────────┴──────────┬──────────┴──────────┬──────────┴──────────┬──────────┴──────────┐				
W-04W1336C				

Welcome Centres

▶ W-05 Straight Desk



About this package

- The desk surface sits at a standard 29" high, while the raised back and transaction topper finishes at 41" and 42" high
- Designed to show as few seams as possible and maintain an easy assembly, all seams are along the sides for a clean approach
- All units ship ready to assemble

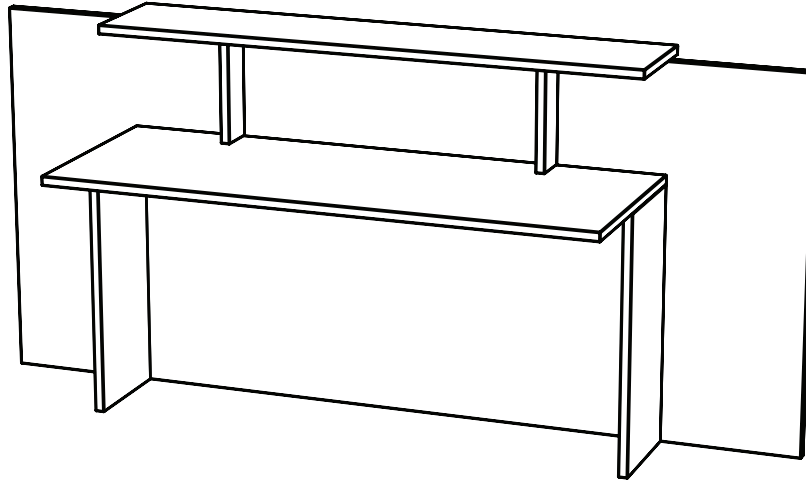
of pieces to order to produce a complete package: **3**

Next three pages consist of a desk and two return ends (left and right side) to complete the unit

Desks with a footprint of 24x96 and 30x96 are also available as one part number after the next three pages which are for larger sized finished units

Welcome Centres

► W-05 Middle Desks



Product Code	Dimensions			List Price
	D	W	H	
W-05D2448M78	24	48/78	29/42	\$ 1332
W-05D2460M90	24	60/90	29/42	\$ 1468
W-05D3048M78	30	48/78	29/42	\$ 1392
W-05D3060M90	30	60/90	29/42	\$ 1594

About this product

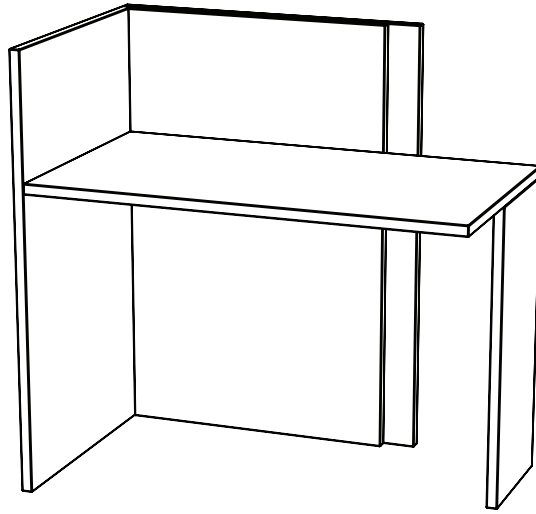
- Shipped ready to assembly
- No grommets
- Desk must be ordered with a left and right hand return to complete the package
- Ledge is 12" deep

Code Matrix

Identification	Package Design	Category	Dimensions	Placement	Back Extension
Welcome Centre	Number	Desk	Depth x Width	Middle	Length
W	05	D	24 x 48	M	78
┌──────────────────┴──────────────────┬──────────────────┴──────────────────┬──────────────────┴──────────────────┬──────────────────┴──────────────────┬──────────────────┴──────────────────┬──────────────────┴──────────────────┐					
W-05D2448M78					

Welcome Centres

► W-05 Left Returns



Product Code	Dimensions			List Price
	D	W	H	
W-05R2436L	24	36	29/41	\$ 971
W-05R2442L	24	42	29/41	\$ 1083
W-05R2448L	24	48	29/41	\$ 1124
W-05R3036L	30	36	29/41	\$ 1069
W-05R3042L	30	42	29/41	\$ 1186
W-05R3048L	30	48	29/41	\$ 1275

About this product

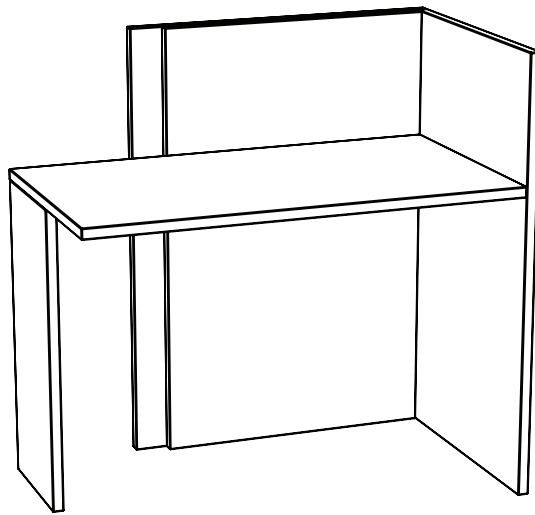
- Shipped ready to assembly
- No grommets
- Must be ordered with a desk and right hand return to complete the package

Code Matrix

Identification	Package Design	Category	Dimensions	Which Hand
Welcome Centre	Number	Return	Depth x Width	Left/Right
W	05	R	24 x 36	L
----- ----- ----- ----- -----				
W-05R2436L				

Welcome Centres

► W-05 Right Returns



Product Code	Dimensions			List Price
	D	W	H	
W-05R2436R	24	36	29/41	\$ 971
W-05R2442R	24	42	29/41	\$ 1083
W-05R2448R	24	48	29/41	\$ 1124
W-05R3036R	30	36	29/41	\$ 1069
W-05R3042R	30	42	29/41	\$ 1186
W-05R3048R	30	48	29/41	\$ 1275

About this product

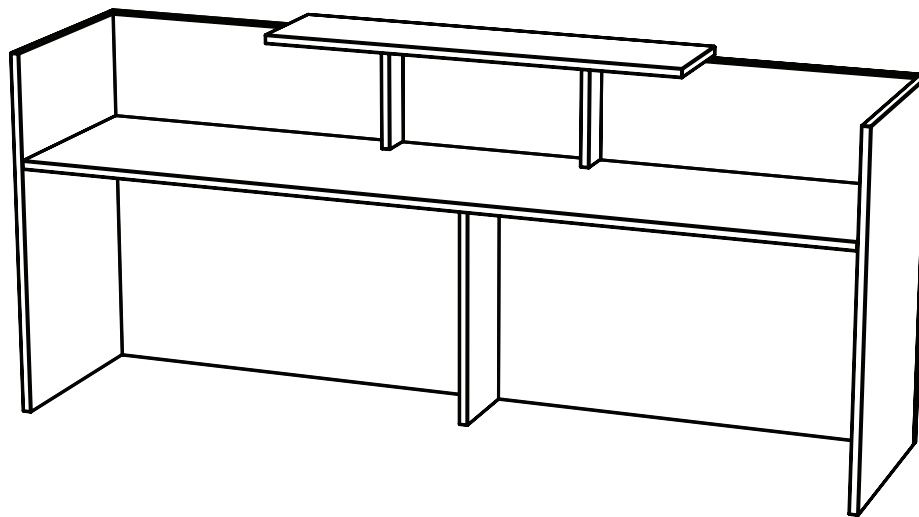
- Shipped ready to assembly
- No grommets
- Must be ordered with a desk and left hand return to complete the package

Code Matrix

Identification	Package Design	Category	Dimensions	Which Hand
Welcome Centre	Number	Return	Depth x Width	Left/Right
W	05	R	24 x 36	R
┌──────────────────┴──────────────────┬──────────────────┴──────────────────┬──────────────────┴──────────────────┬──────────────────┴──────────────────┬──────────────────┴──────────────────┐				
W-05R2436R				

Welcome Centres

► W-05 Straight 96" Desks



Product Code	Dimensions			List Price
	D	W	H	
W-05D2496S	24	96	29/42	\$ 2412
W-05D3096S	30	96	29/42	\$ 2620

About this product

- Shipped ready to assembly
- No grommets
- No additional pieces required to complete this size unit

Code Matrix

Identification	Package Design	Category	Dimensions	Package
Welcome Centre	Number	Desk	Depth x Width	Straight
W	05	D	24 x 96	S
┌──────────────────┴──────────────────┬──────────────────┴──────────────────┬──────────────────┴──────────────────┬──────────────────┴──────────────────┬──────────────────┴──────────────────┐				
W-05D2496S				

Refresh

Order Specifications

Due to varying layouts, drawings must be submitted with every order for us to check and ensure proper dimensions are used.

Handles: Brushed Satin Nickel square handles come standard on all products. Special order handles are available and can be quoted per request.

Hardware: Drawer slides are self close and hinges are soft close on all Refresh products. Special levelers come standard on all lower cabinets (excluding the fridge units) to ensure ease of installation.

Hanging: All upper cabinets attached to the wall using cleats. Specific screw types are the responsibility of the installation team to provide due to different wall types requiring specific hardware for secure attachment.

Fillers: A 2" filler will be sent with every order no charge. Installers are responsible for scoring along the wall for a proper fit.

Tops: When designing a layout, ensure to accommodate for appropriate overhangs. 1" on the front, and 1/4" on each side.

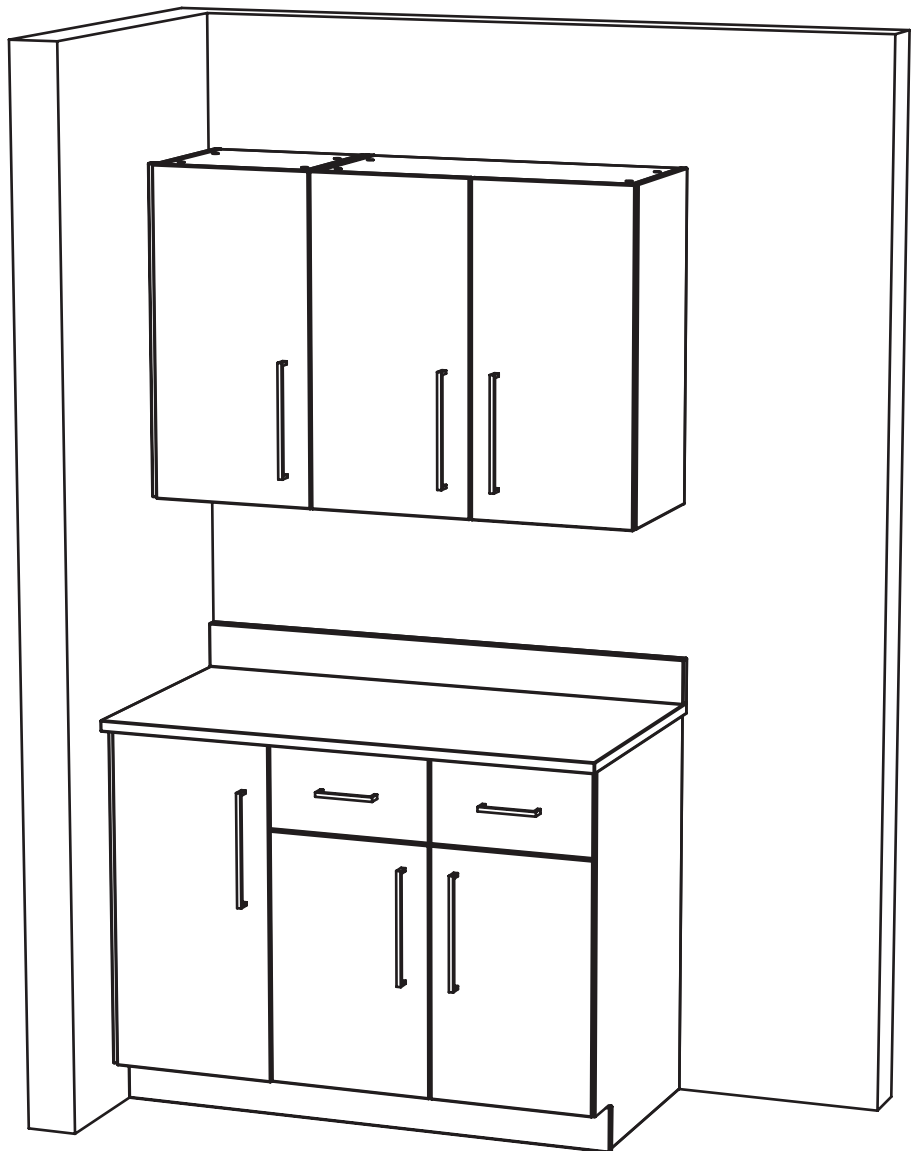
Tops are priced per foot up to a maximum of 84" (see page 224). Please allow for the additional 1/2" overhang in your floorplan.

If flush to the wall is required, please identify on drawings. Make sure to measure the front and the back of the wall as not all walls are built straight. Show these dimensions on your drawing.

Backsplashes: Are included in the price of the top and will be cut to match those dimensions

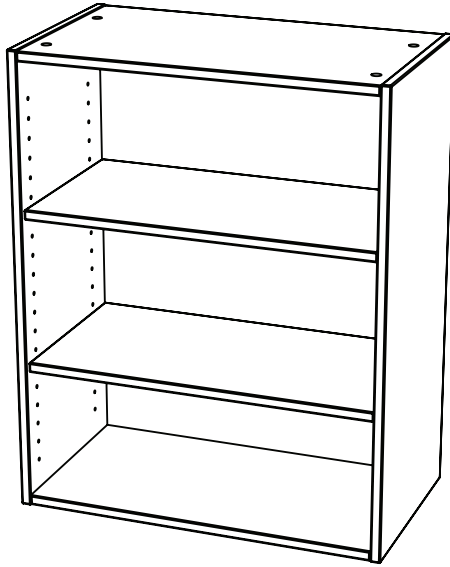
Kickpanels: Are sold per foot up to 84" (see page 225).

Sinks: Holes for sinks will be cut onsite only and will not be programmed by Belair. Only install top mount sinks on high pressure laminate. If your client requests undermount sinks, we suggest sourcing a different material for the top.



Refresh

▶ Upper Cabinets Open



Product Code	Dimensions			List Price
	D	W	H	
RU15	13	15	30	\$ 403
RU18	13	18	30	\$ 443
RU24	13	24	30	\$ 555
RU30	13	30	30	\$ 653
RU36	13	36	30	\$ 737

About this product

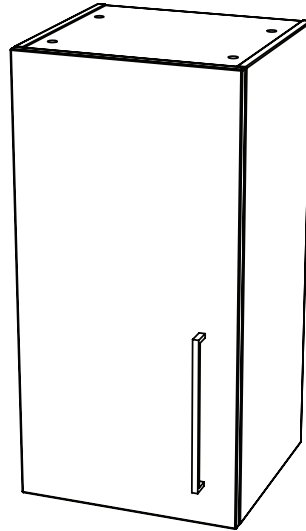
- Two adjustable shelves
- Shipped assembled

Code Matrix

Identification	Category	Dimensions
Refresh	Upper Cabinet	Width
R	U	15
└──────────────────────────┬──────────────────────────┘		
	RU15	

Refresh

▶ Upper Cabinets With Door



Product Code	Dimensions			List Price
	D	W	H	
RU15D_	14	15	30	\$ 581
RU18D_	14	18	30	\$ 641

* Specify "L" or "R" for left or right in the space of the code above when placing your order
 image above is a left hand unit ("L")

About this product

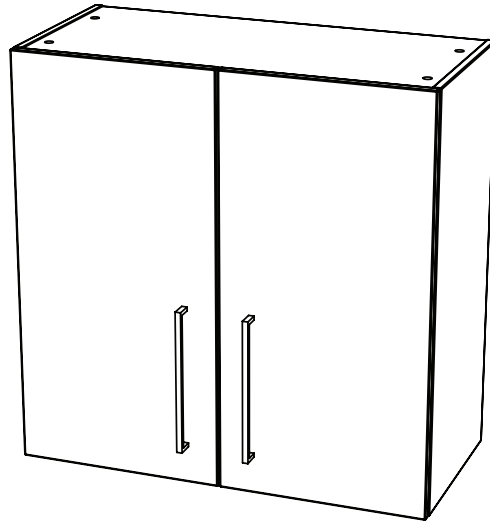
- Two adjustable shelves
- Door swings left or right, identified in the suffix of the product code
- Shipped assembled

Code Matrix

Identification	Category	Dimensions	Suffix
Refresh	Upper Cabinet	Width	Left / Right
R	U	15	DL / DR
<div style="display: flex; justify-content: space-between; width: 100%; border-top: 1px solid black; border-bottom: 1px solid black;"> RU15DL </div>			

Refresh

▶ Upper Cabinets With Doors



Product Code	Dimensions			List Price
	D	W	H	
RU24DD	14	24	30	\$ 863
RU30DD	14	30	30	\$ 974
RU36DD	14	36	30	\$ 1072

About this product

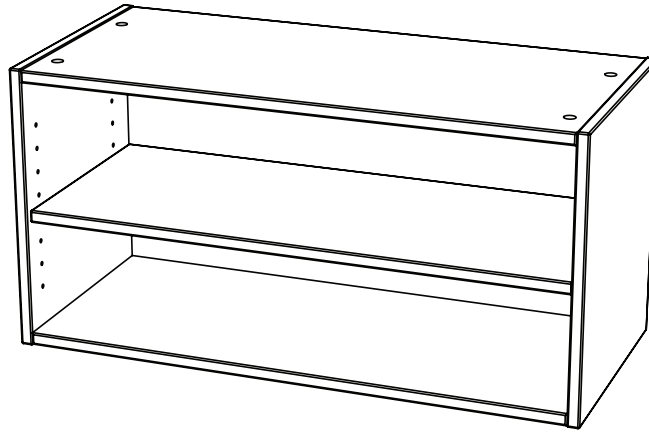
- Two adjustable shelves
- Shipped assembled

Code Matrix

Identification	Category	Dimensions	Suffix
Refresh	Upper Cabinet	Width	Double Doors
R	U	24	DD
<div style="display: flex; justify-content: space-between; align-items: center;"> RU24DD </div>			

Refresh

▶ Upper Cabinets Short Open



Product Code	Dimensions			List Price
	D	W	H	
RUS24	13	24	15	\$ 364
RUS30	13	30	15	\$ 420
RUS36	13	36	15	\$ 473

About this product

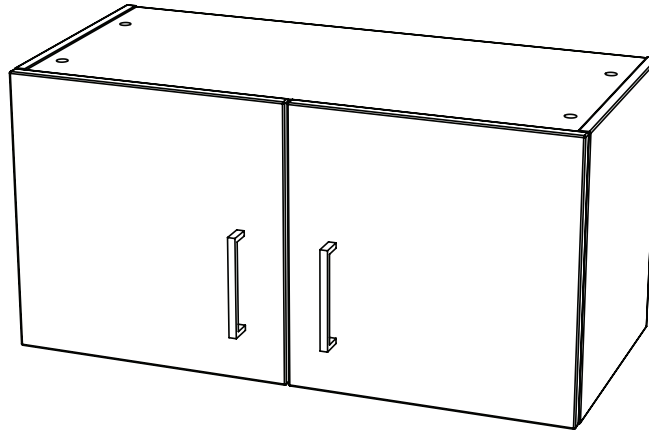
- Short height to leave clearance for sink below
- One adjustable shelf
- Shipped assembled

Code Matrix

Identification	Category	Item Description	Dimensions
Refresh	Upper Cabinet	Short	Width
R	U	S	24
└──────────┘		RUS24	└──────────┘

Refresh

▶ Upper Cabinets Short with Doors



Product Code	Dimensions			List Price
	D	W	H	
RUS24DD	14	24	15	\$ 612
RUS30DD	14	30	15	\$ 693
RUS36DD	14	36	15	\$ 756

About this product

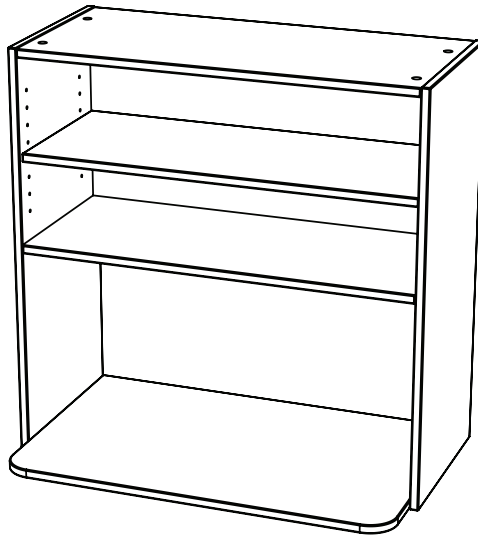
- Short height to leave clearance for sink below
- One adjustable shelf
- Shipped assembled

Code Matrix

Identification	Category	Item Description	Dimensions	Suffix
Refresh	Upper Cabinet	Sink	Width	Double Doors
R	U	S	24	DD
┌──────────────────┴──────────────────┐				
RUS24DD				

Refresh

▶ Upper Cabinets Microwave Open



Product Code	Dimensions			List Price
	D	W	H	
RUM24	13/18	24	30	\$ 512
RUM30	13/18	30	30	\$ 575

About this product

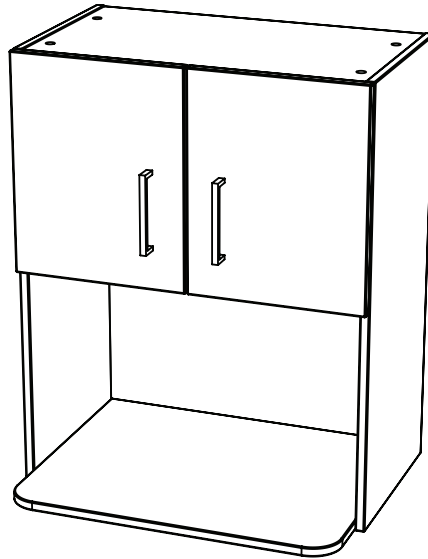
- One adjustable shelf
- Open back for easy power access
- Shipped assembled

Code Matrix

Identification	Category	Item Description	Dimensions
Refresh	Upper Cabinet	Microwave	Width
R	U	M	24
┌──────────────────┴──────────────────┬──────────────────┴──────────────────┐			
RUM24			

Refresh

▶ Upper Cabinets Microwave with Doors



Product Code	Dimensions			List Price
	D	W	H	
RUM24DD	14/18	24	30	\$ 763
RUM30DD	14/18	30	30	\$ 843

About this product

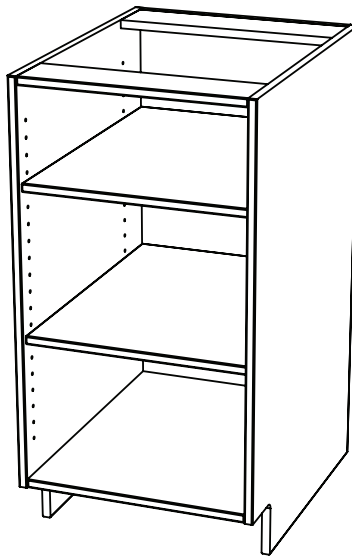
- One adjustable shelf
- Open back for easy power access
- Shipped assembled

Code Matrix

Identification	Category	Item Description	Dimensions	Suffix
Refresh	Upper Cabinet	Microwave	Width	Double Doors
R	U	M	24	DD
┌──────────────────┴──────────────────┐				
RUM24DD				

Refresh

▶ Lower Cabinets Open



Product Code	Dimensions			List Price
	D	W	H	
RL15	23	15	35	\$ 817
RL18	23	18	35	\$ 871
RL24	23	24	35	\$ 971
RL30	23	30	35	\$ 1082
RL36	23	36	35	\$ 1177

About this product

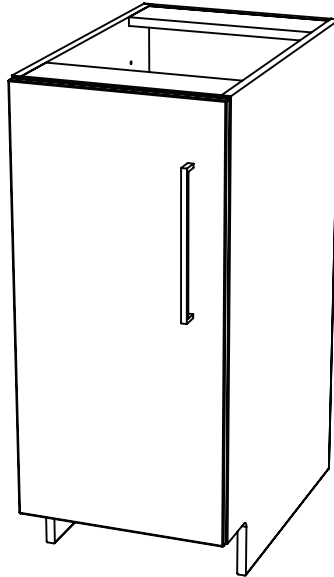
- Two adjustable shelves
- Shipped assembled

Code Matrix

Identification	Category	Dimensions
Refresh	Lower Cabinet	Width
R	L	15
└──────────────────────────────────┘		└──────────────────────────────────┘
	RL15	

Refresh

▶ Lower Cabinets With Door



Product Code	Dimensions			List Price
	D	W	H	
RL15D_	24	15	35	\$ 1010
RL18D_	24	18	35	\$ 1075

* specify "L" or "R" for left or right in the space of the code above when placing your order
 image above is a left hand unit ("L")

About this product

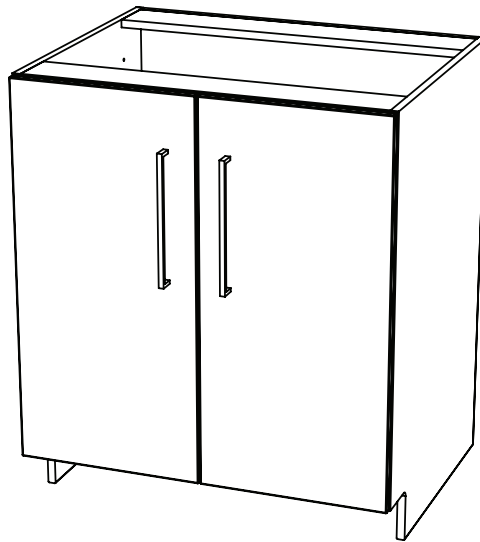
- Two adjustable shelves
- Single door swings left or right, identified in suffix of product code
- Shipped assembled

Code Matrix

Identification	Category	Dimensions	Suffix
Refresh	Lower Cabinet	Width	Door Left / Right
R	L	24	DL / DR
└──────────────────┬──────────────────┬──────────────────┘			
RL24DL			

Refresh

▶ Lower Cabinets With Doors



Product Code	Dimensions			List Price
	D	W	H	
RL24DD	24	24	35	\$ 1310
RL30DD	24	30	35	\$ 1448
RL36DD	24	36	35	\$ 1582

About this product

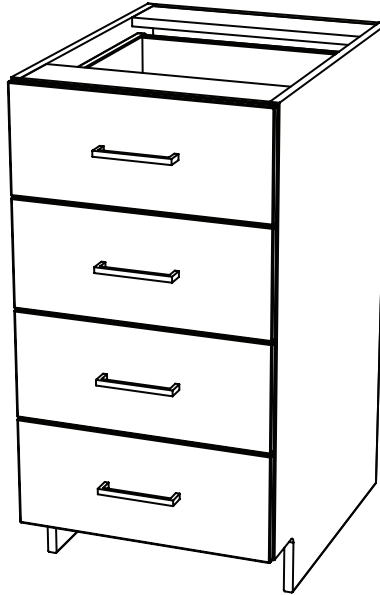
- Two adjustable shelves
- Shipped assembled

Code Matrix

Identification	Category	Dimensions	Suffix
Refresh	Lower Cabinet	Width	Double Doors
R	L	24	DD
┌──────────────────┴──────────────────┘ RL24DD ┌──────────────────┴──────────────────┘			

Refresh

▶ Lower Cabinets 4 Drawers



Product Code	Dimensions			List Price
	D	W	H	
RL15B4	24	15	35	\$ 1888
RL18B4	24	18	35	\$ 1998

About this product

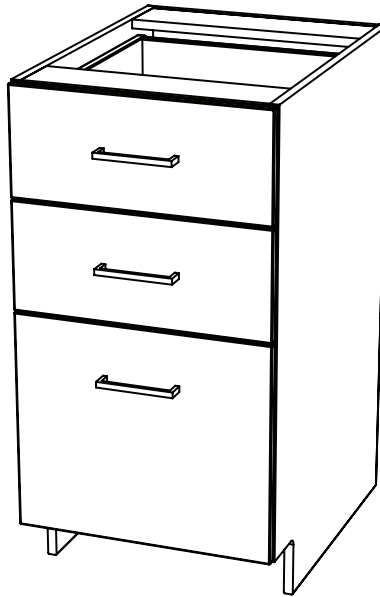
- Four white laminate drawers with soft close undermount slides
- Shipped assembled

Code Matrix

Identification	Category	Dimensions	Suffix
Refresh	Lower Cabinet	Width	Drawer Quantity
R	L	15	B4
┌──────────────────┴──────────────────┘ RL15B4 ┌──────────────────┴──────────────────┘			

Refresh

▶ Lower Cabinets 3 Drawers



Product Code	Dimensions			List Price
	D	W	H	
RL15B3	24	15	35	\$ 1687
RL18B3	24	18	35	\$ 1794

About this product

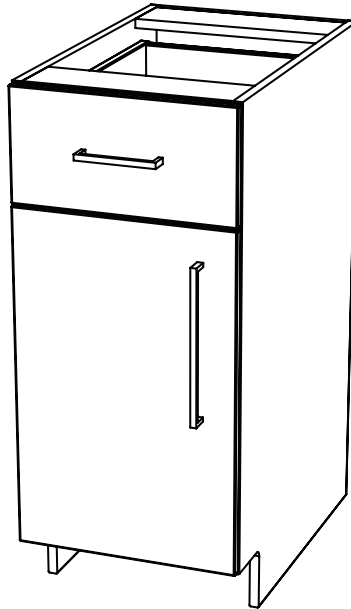
- Three white laminate drawers with soft close undermount slides
- Shipped assembled

Code Matrix

Identification	Category	Dimensions	Suffix
Refresh	Lower Cabinet	Width	Drawer Quantity
R	L	15	B3
┌──────────────────┴──────────────────┬──────────────────┴──────────────────┐			
RL15B3			

Refresh

▶ Lower Cabinets Combo



Product Code	Dimensions			List Price
	D	W	H	
RL15B1D_	24	15	35	\$ 1224
RL18B1D_	24	18	35	\$ 1300

* specify "L" or "R" for left or right in the space of the code above when placing your order
image above is a left hand unit ("L")

About this product

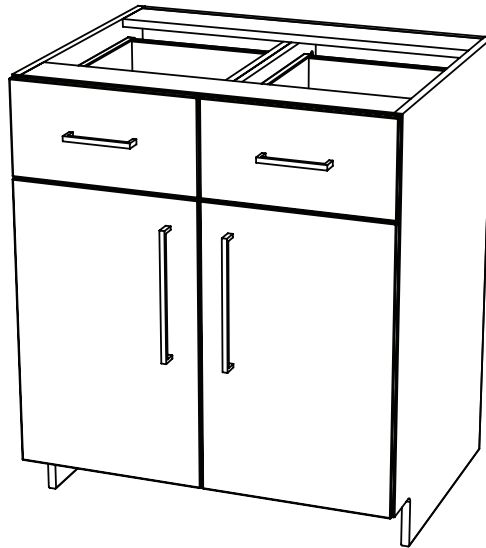
- One white laminate drawer with soft close undermount slides
- Single door swings left or right, identified in suffix of product code
- One adjustable shelf
- Shipped assembled

Code Matrix

Identification	Category	Dimensions	Item Description	Suffix
Refresh	Lower Cabinet	Width	Drawer Quantity	Door Left / Right
R	L	15	B1	DL / DR
┌──────────────────┴──────────────────┬──────────────────┴──────────────────┐				
RL15B1DL				

Refresh

▶ Lower Cabinets Combo



Product Code	Dimensions			List Price
	D	W	H	
RL30B2DD	24	30	35	\$ 1973
RL36B2DD	24	36	35	\$ 2120

About this product

- Two white laminate drawers with soft close undermount slides
- One adjustable shelf
- Shipped assembled

Code Matrix

Identification	Category	Dimensions	Item Description	Suffix
Refresh	Lower Cabinet	Width	Drawer Quantity	Double Doors
R	L	30	B2	DD
└──────────────────┬──────────────────┬──────────────────┬──────────────────┬──────────────────┘				
RL30B2DD				

Refresh

▶ Lower Cabinets Sink



Product Code	Dimensions			List Price
	D	W	H	
RLS24DD	24	24	35	\$ 1243
RLS30DD	24	30	35	\$ 1345
RLS36DD	24	36	35	\$ 1442

About this product

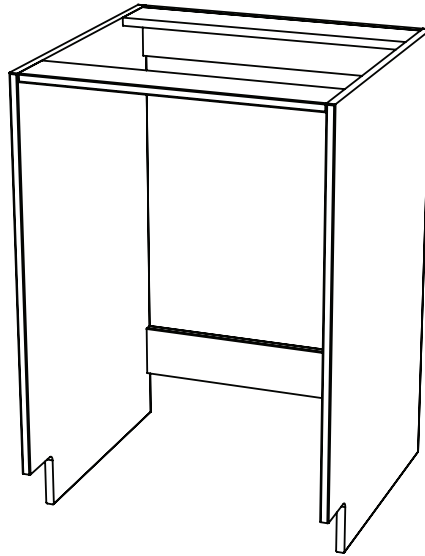
- Open back to accommodate sink and plumbing fixtures
- One adjustable shelf
- Shipped assembled

Code Matrix

Identification	Category	Item Description	Dimensions	Suffix
Refresh	Lower Cabinet	Sink	Width	Double Doors
R	L	S	24	DD
┌──────────────────┴──────────────────┬──────────────────┴──────────────────┐				
		RLS24DD		

Refresh

▶ Lower Cabinets
Fridge - Notched Both Sides



Product Code	Dimensions			List Price
	D	W	H	
RLF24	23	24	35	\$ 404

About this product

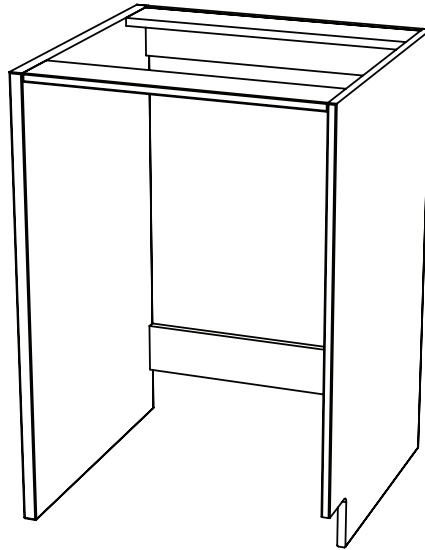
- Notched on both sides to accommodate kick panel
- This items is to be used when sandwiched between two other units
- Interior clearance is 22-3/4"wide
- Shipped assembled

Code Matrix

Identification	Category	Item Description	Dimensions
Refresh	Lower Cabinet	Refrigerator	Width
R	L	F	24
┌──────────────────┴──────────────────┬──────────────────┴──────────────────┐			
RLF24			

Refresh

▶ Lower Cabinets Fridge - Finished End



Product Code	Dimensions			List Price
	D	W	H	
RLF24_	23	24-1/4	35	\$ 404

* specify "L" or "R" for left or right in the space of the code above when placing your order
 image above is a left hand unit ("L")

About this product

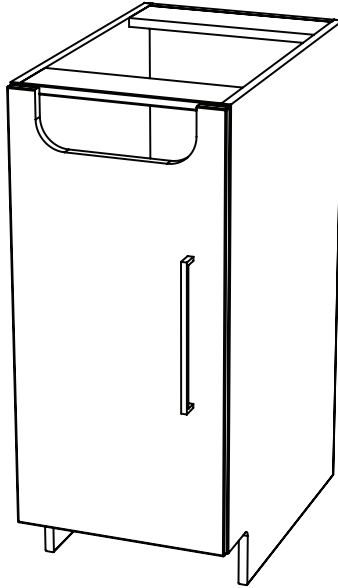
- Notched on one side to accommodate kick panel, and finished end panel on the other side
- This item is to be used when placed as an end unit
- Interior clearance is 22-3/4" wide
- Shipped assembled

Code Matrix

Identification	Category	Item Description	Dimensions	Suffix
Refresh	Lower Cabinet	Refrigerator	Width	Finished End
R	L	F	24	L / R
<div style="display: flex; justify-content: space-between; width: 100%; border-top: 1px solid black; margin-top: 5px;"> RLF24L </div>				

Refresh

▶ Lower Cabinets Recycle



Product Code	Dimensions			List Price
	D	W	H	
RLR15D_	24	15	35	\$ 886
RLR18D_	24	18	35	\$ 935

* specify "L" or "R" for left or right in the space of the code above when placing your order
image above is a left hand unit ("L")

About this product

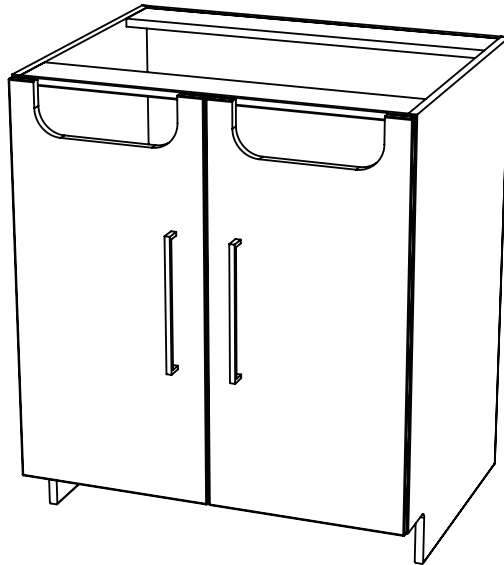
- Cut out door to allow easy access to garbage and/or recycling bin stored inside the cabinet
- Single door swings left or right, identified in suffix of product code
- Shipped assembled

Code Matrix

Identification	Category	Item Description	Dimensions	Suffix
Refresh	Lower Cabinet	Recycle	Width	Door Left / Right
R	L	R	15	DL / DR
<div style="display: flex; justify-content: space-between; width: 100%;"> </div>				

Refresh

▶ Lower Cabinets Recycle



Product Code	Dimensions			List Price
	D	W	H	
RLR24DD	24	24	35	\$ 1120
RLR30DD	24	30	35	\$ 1212
RLR36DD	24	36	35	\$ 1304

About this product

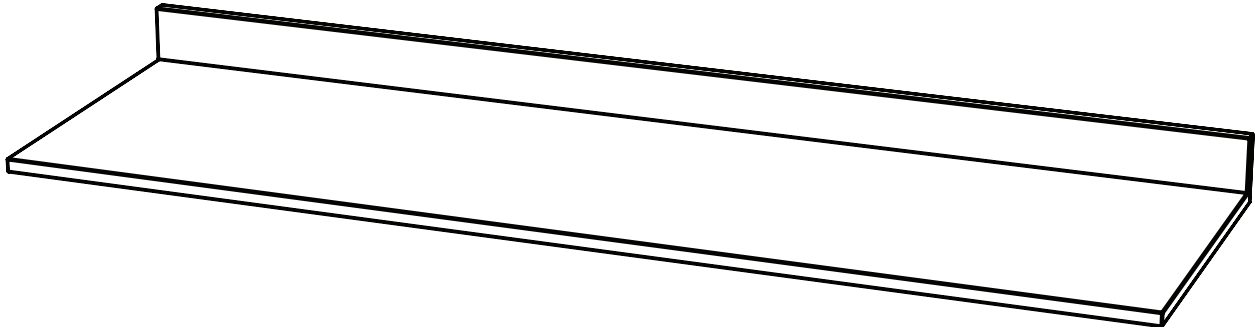
- Cut out doors to allow easy access to garbage and/or recycling bin stored inside the cabinet
- Shipped assembled

Code Matrix

Identification	Category	Item Description	Dimensions	Suffix
Refresh	Lower Cabinet	Recycle	Width	Double Doors
R	L	R	24	DD
┌──────────┴──────────┬──────────┴──────────┬──────────┴──────────┬──────────┴──────────┬──────────┴──────────┐				
RLR24DD				

Refresh

▶ Countertops



Product Code	Dimensions			List Price
	D	W	H	
RT24	25	24	1	\$ 193
RT36	25	36	1	\$ 276
RT48	25	48	1	\$ 359
RT60	25	60	1	\$ 434
RT72	25	72	1	\$ 514
RT84	25	84	1	\$ 600

About this product

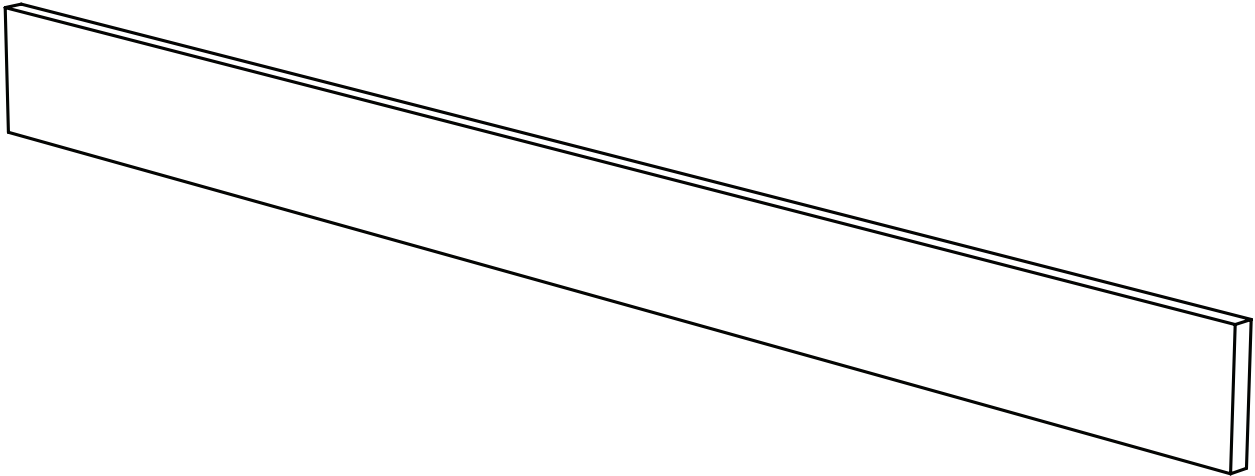
- Order specific dimensions to match to your needs by altering the part number to match your required length, and price match to the next size up. Example: a 33" top would be "RT33", and the price would match the RT36
- Drawings must be submitted with every order for our design team to ensure proper dimensions. If flush to the wall is required, please identify this on your drawings.
- Make sure to measure the front and the back for the top width as not all walls are built square. Show these dimensions on your drawings

Code Matrix

Identification	Category	Dimensions
Refresh	Top	Width
R	T	24
└──────────────────────────────────┘		RT24

Refresh

► Kick Panels



Product Code	Dimensions			List Price
	D	W	H	
RK24	5/8	24	4	\$ 35
RK36	5/8	36	4	\$ 47
RK48	5/8	48	4	\$ 64
RK60	5/8	60	4	\$ 76
RK72	5/8	72	4	\$ 87
RK84	5/8	84	4	\$ 101

About this product

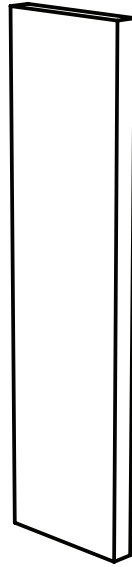
- Order specific dimensions to match your needs by altering the part number to match your required length, and price match the next size up. Example: a 54" kick panel would be "RK54", and the price would match the RK60
- Drawings must be submitted with every order for our design team to ensure proper dimensions

Code Matrix

Identification	Category	Dimensions
Refresh	Kickpanel	Width
R	K	24
_____		_____
		RK24

Refresh

► Fillers



Product Code		List Price
RLFILL	Lower cabinet filler	\$ 0
RUFILL	Upper cabinet filler	\$ 0
RUSFILL	Upper short cabinet filler	\$ 0

About this product

- Fillers to be ordered when cabinets are up against a wall

Code Matrix

Identification	Category	Dimensions
Refresh	Upper / Lower	Filler
R	L	FILL
└──────────────────────────────────┘		RLFILL



2026

Bravo Catalogue

All of Belair's products are made of commercial grade melamine with finish on both sides of all panels. Tops and ends are one inch thick with 2mm PVC edgebanding that can be colour matched to any of our colours. All box and file drawers feature smooth-running full suspension tracks. Units include adjustable leveling glides. The materials used in our manufacturing process are durable and affordable and have been the leading standard in the office furniture industry for many years.