

A modern office interior featuring a wooden desk with a curved edge, a teal office chair, and a computer monitor. The room has large windows and a teal accent wall on the right side. The floor is covered in a patterned carpet.

BELAIR

PHOENIX

March 2026

Table of Contents

Accessories	4
Keyboards and Data Port5	Hutch Accessories7
Task Lighting / Tower Drives6	Speakers Podium.....8
Storage	9
Literature Organizers10	Heavy Duty Storage Bookcases15
Standard Bookcases12	Heavy Duty Specialty Bookcases16
Heavy Duty Bookcases13	Mobile Stands17
Tables	18
Conference & Waiting Room Tables19	Table Tops.....20
Desks	22
Straight Desks.....24	Extended Corner With Inset Modesty.....34
Straight Returns26	Extended Corner Desks Notched39
Extended Corner Desks27	
Service Counters	43
Standard Counters44	Options46
Bow Front Counters.....45	
Discontinued Items	47



“Belair is more than just office furniture, it is a family of skilled individuals giving their best.”

Scott, Plant Manager

Warranty

Ten Years from Date of Shipment

Belair Office Products Inc. warrants the original purchaser against any form of failure or defect in construction or component. Warranty covers standard items, not custom products. Defect shall be defined as any malfunction which inhibits the performance of the furniture as specified. Failure shall be defined as any component which becomes inoperative during normal and reasonable use, as specified. Clear signs of abuse, such as impact damage, prolonged and direct exposure or submersion to fluids or flame will void this warranty entirely. Belair Office Products Inc. accepts responsibility which extends only to the replacement of the furniture component. It is the purchasers responsibility to pay for transportation and/or installation costs.

Terms and Conditions

Product Pricing

Prices are F.O.B. at our point of distribution in Canada and are subject to change without notice. All merchandise will be invoiced at prices prevailing at the time of order. Applicable taxes are extra. Prices shown in our catalogue are suggested list prices only and are subject to change without notice. Belair Office Products Inc. will, however, attempt to keep dealers/purchasers up-to-date on all developments including price changes.

Credit Terms

C.O.D. unless credit has been established. All merchandise will be invoiced at the time of shipment and payment is due 10 days following the date of the invoice.

Order Specifications

All purchases must be confirmed in writing. Specify model numbers and finishes. Belair Office Products Inc. will not be responsible for errors unless orders are supported by a written confirmation. Belair Office Products Inc. reserves the right to make improvements and changes in design, material and packaging without notice.

Special Orders

A detailed purchase order MUST accompany all special orders. It MUST include a clear sketch of all sizes and finishes for each unit, with a customer signature of approval.

Returning Product

No returns will be accepted without prior written authorization. There are no refunds on special orders.

Cancellations

Cancellations will not be accepted on orders with material already cut in production. No cancellations will be accepted on special orders.

Damaged Product

Belair Office Products Inc. must be notified within 24 hours of receiving damaged product in order for damage claims to be valid. Belair Office Products Inc. will not be responsible for damages which occur during storage or transit. All shipments should be carefully examined before being accepted from the carrier. Our liability ends when the carrier signs our delivery slip from our shipping dock acknowledging that the merchandise has been received in good condition. Claims for damages should be filed with the carrier within 5 days of receiving the merchandise.

Product Sizes

At the time of printing all sizes as specified in this catalogue are accurate. Belair Office Products Inc. reserves the right to make changes to any dimension without notice.

Laminate Finishes

Asian Night (AN)	Black (BK)	Bora Bora (BB)	Coastal Pear (CP)	Dalia (DA)	Driftwood (DW)
Force of Nature (FN)	Grey (GR)	Megantic (ME)	Prestige Maple (PM)	Sable Island (SA)	Sheer Beauty (SH)
Slate (SL)	Southwester (SW)	Summer Flame (SF)	Tea for Two (TT)	Truffle (TR)	Tuxedo (TX)
Urban Vibe (UV)	White (WH)	White Chocolate (WC)			

Accessories

Access the full potential of your environment

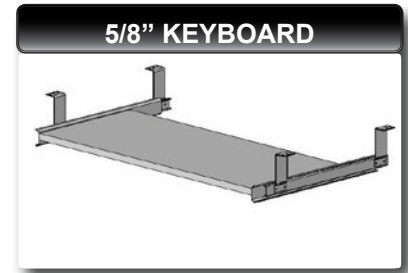


"At Belair, we are a business, but also a family. Customer satisfaction is our priority, and we happen to be very good at it."

Lynne, Customer Service

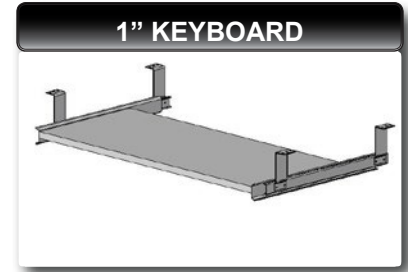
Keyboards and Data Port

DEEP WIDE HIGH			PRICE	PROD. #
12	22	5/8"	145	3019-1222
12	26	5/8"	145	3019-1226
12	28	5/8"	145	3019-1228



- SLIDING KEYBOARD TRAY
- AVAILABLE IN 3 SIZES
- 2MM EDGING

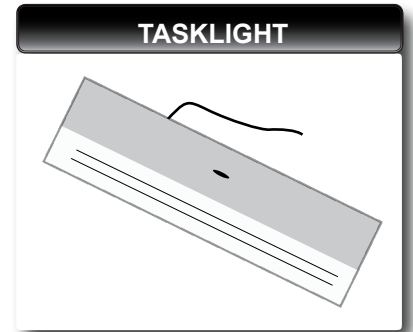
12	22	1"	145	3020-1222
12	26	1"	145	3020-1226
12	28	1"	145	3020-1228



- SLIDING KEYBOARD TRAY
- AVAILABLE IN 3 SIZES
- 2MM EDGING

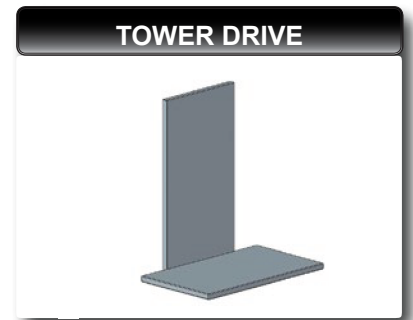
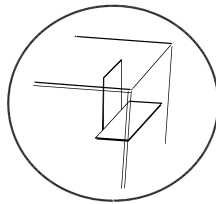
Task Lighting / Tower Drives

DEEP	WIDE	HIGH	PRICE	PROD. #
10	24	N/A	282	TSKLIT24
10	36	N/A	324	TSKLIT36
10	48	N/A	387	TSKLIT48



■ TASK LIGHTING FOR UNDER HUTCHES

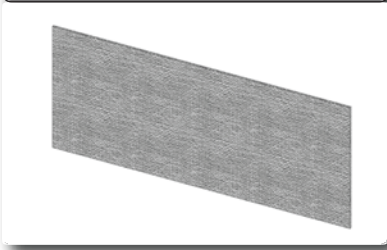
17.25	11	20	139	026-1000
17.25	11	26	207	026-1020



■ REVERSIBLE TOWER DRIVE SHELF
 ■ FOR "ON SITE" INSTALLATION
 ■ UNIVERSAL DEPTH

Hutch Accessories

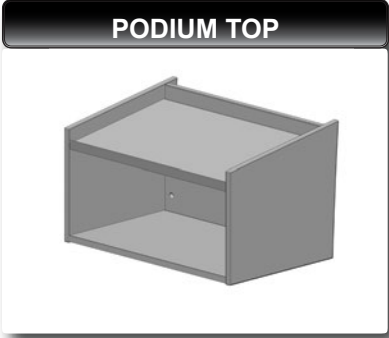
TACKBOARDS



- THE LAST FOUR DIGITS INDICATE THE SIZE OF THE HUTCH THAT EACH TACKBOARD IS DESIGNED TO FIT
- FABRIC IS AVAILABLE IN STANDARD GRADE 2,3,4 KP FABRIC COLOURS
- WHEN ORDERING PLEASE INDICATE YOUR COLOUR CHOICE AND GRADE OF FABRIC

PROD. #	PRICE	DEEP	WIDE	HIGH	LOCK
390-3748	319	3/4	44	16	N/A
390-3754	345	3/4	50	16	N/A
390-3760	345	3/4	56	16	N/A
390-3766	363	3/4	62	16	N/A
390-3770	387	3/4	66	16	N/A
390-3772	387	3/4	66	16	N/A
390-3778	455	3/4	72	16	N/A

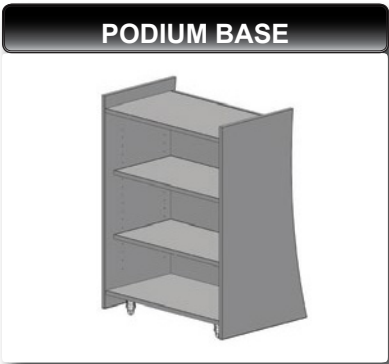
Speakers Podium



PODIUM TOP

- SLOPED TOP WITH LIP
- INTERIOR STORAGE AREA

PROD. #	PRICE	DEEP	WIDE	HIGH	LOCK
3070-2610	565	15	24	14	



PODIUM BASE

- 1 ADJUSTABLE SHELF

3070-2620	610	18	25	33	
-----------	-----	----	----	----	--



COMPLETE PODIUM

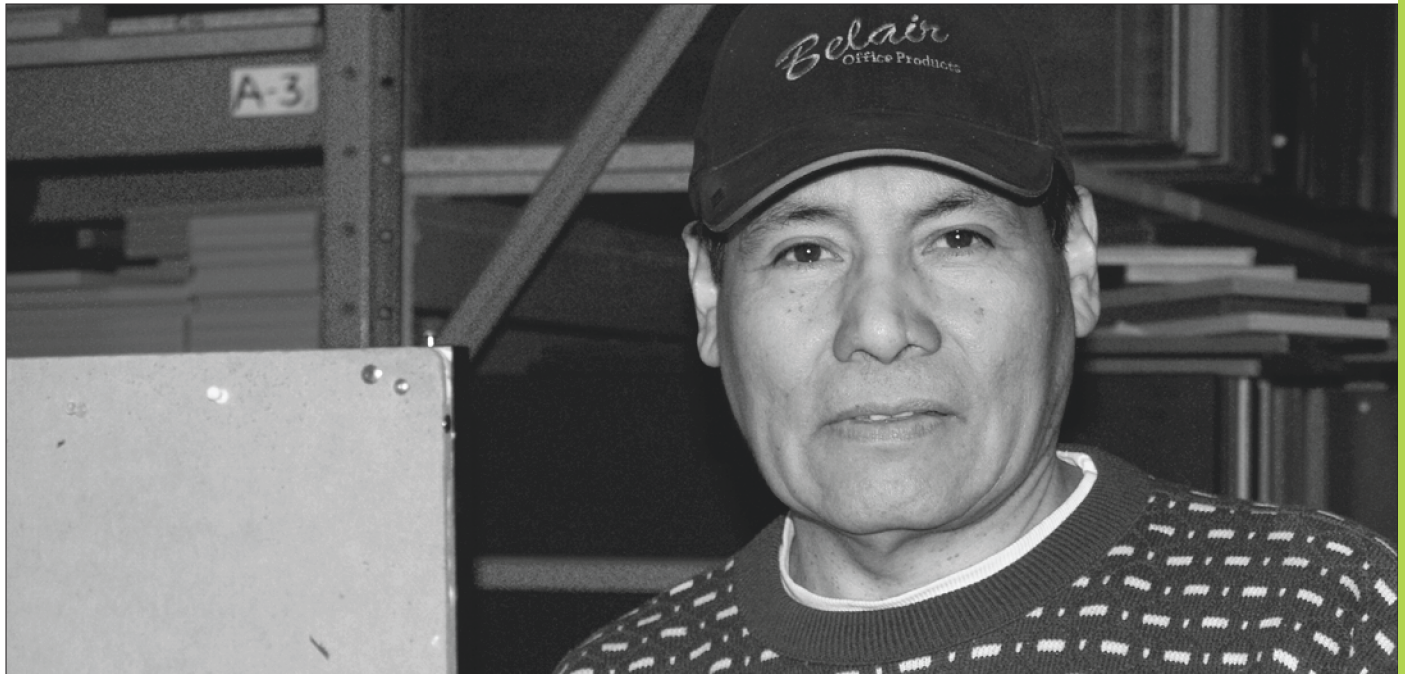
- SLOPED TOP WITH LIP
- INTERIOR STORAGE AREA
- 1 ADJUSTABLE SHELF IN BOTTOM

3071-2546	1052	18	25	46	
-----------	------	----	----	----	--

EXTRA SHELVES / CASTERS	PROD. #	PRICE	DEEP	WIDE	HIGH
SHELF FOR PODIUM BASE	3070-1000	77	14	24	5/8"

Storage

In an age of high demand, dependability is a priceless asset

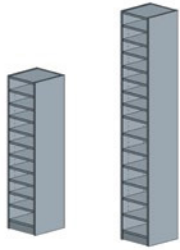


"Teamwork makes everything better."

Pablo, Assembly Team

Literature Organizers

TOWER STYLE



- ADJUSTABLE SHELVES
- AVAILABLE IN LETTER OR LEGAL SIZE

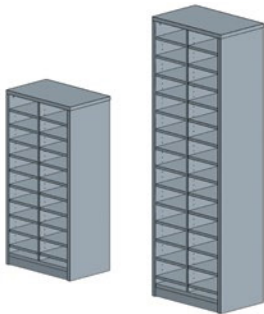
PROD.

PRICE

DEEP WIDE HIGH SHLV'S

3038-1248	491	13	12	48	10
3039-1248	767	15	12	48	10
3038-1272	621	13	12	72	14
3039-1272	861	15	12	72	14

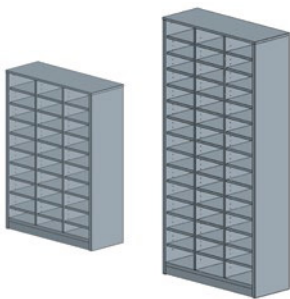
TWO TIER



- ADJUSTABLE SHELVES
- AVAILABLE IN LETTER OR LEGAL SIZE

3038-2448	931	13	24	48	18
3039-2448	1263	15	24	48	18
3038-2472	1164	13	24	72	28
3039-2472	1659	15	24	72	28

THREE TIER



- ADJUSTABLE SHELVES
- AVAILABLE IN LETTER OR LEGAL SIZE

3038-3648	1430	13	36	48	27
3039-3648	1682	15	36	48	27
3038-3672	1735	13	36	72	42
3039-3672	2111	15	36	72	42

EXTRA LETTER SIZE SHELVES
EXTRA LEGAL SIZE SHELVES

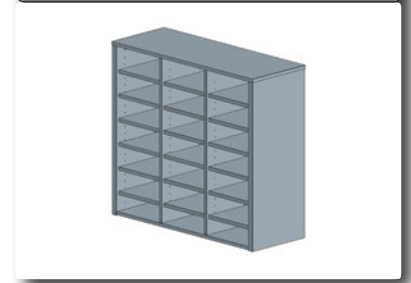
3038-0021	43	12	11	5/8"
3039-0022	47	14	11	5/8"

Literature Organizers

DEEP	WIDE	HIGH	SHLV'S	PRICE	PROD. #
------	------	------	--------	-------	---------

13	36	32	18	996	3038-3632
15	36	32	18	1304	3039-3632

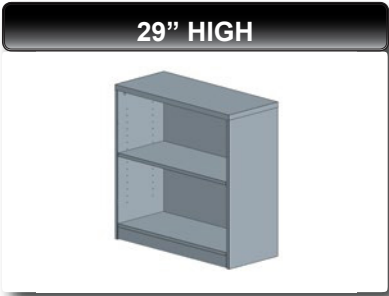
TOPPER STYLE



- DESIGNED AS A TOPPER
- FOR 3062-3602, 3065 OR 3066
- AVAILABLE IN LEGAL OR LETTER SIZE

EXTRA LETTER SIZE SHELVES	3038-0021	43	12	11	5/8"
EXTRA LEGAL SIZE SHELVES	3039-0022	47	14	11	5/8"

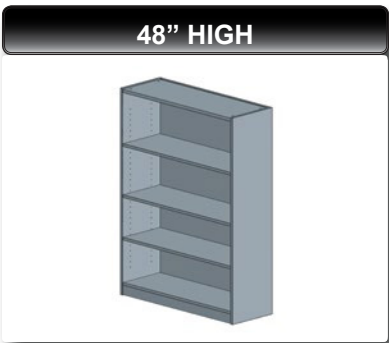
Standard Bookcases



29" HIGH

- 2MM EDGING
- 1" TOP
- 5/8" BOTTOM, SHELF, BACK AND ENDS

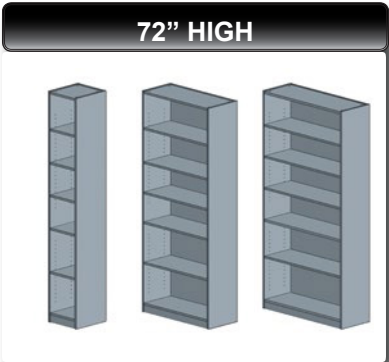
PROD. #	PRICE	DEEP	WIDE	HIGH	SHLV'S
3045-3029	332	12	30	29	1
3045-3629	332	12	36	29	1



48" HIGH

- 2MM EDGING
- CONSTRUCTED OF 5/8" MATERIAL

3045-3048	425	12	30	48	3
3045-3648	425	12	36	48	3



72" HIGH

- 2MM EDGING
- CONSTRUCTED OF 5/8" MATERIAL
- 1 FIXED SHELF, 4 ADJUSTABLE SHELVES

3045-1272	401	12	12	72	4
3045-2472	481	12	24	72	4
3045-3072	495	12	30	72	4
3045-3672	533	12	36	72	4

EXTRA SHELVES

3045-12" WIDE	3045-1012	43	11.5	10	5/8"
3045-24" WIDE	3045-1024	47	11.5	22	5/8"
3045-30" WIDE	3045-1030	51	11.5	28	5/8"
3045-36" WIDE	3045-1036	62	11.5	34	5/8"

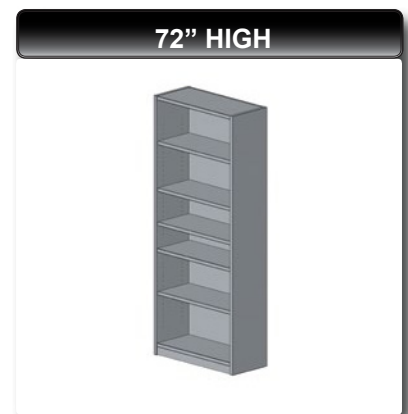
Heavy Duty Bookcases

DEEP	WIDE	HIGH	SHLV'S	PRICE	PROD. #
13	30	48	3	728	3050-3048
15	30	48	3	873	3053-3048
13	36	48	3	746	3050-3648
15	36	48	3	896	3053-3648



- 1" THICK MATERIAL
- 2MM EDGING
- 3 ADJUSTABLE SHELVES

13	30	72	5	909	3050-3072
15	30	72	5	1093	3053-3072
13	36	72	5	931	3050-3672
15	36	72	5	1116	3053-3672



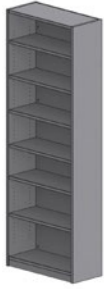
- 1" THICK MATERIAL
- 2MM EDGING
- 1 FIXED AND 4 ADJUSTABLE SHELVES

EXTRA SHELVES

3050-30" WIDE	3050-1030	58	11	28	1
3050-36" WIDE	3050-1036	62	11	34	1
3053-30" WIDE	3053-1030	59	13	28	1
3053-36" WIDE	3053-1036	66	13	34	1

Heavy Duty Bookcases

84" HIGH



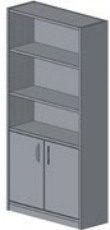
- 1" THICK MATERIAL
- 2MM EDGING
- 1 FIXED AND 5 ADJUSTABLE SHELVES

PROD. #	PRICE	DEEP	WIDE	HIGH	SHLV'S
3050-3084	1172	13	30	84	6
3053-3084	1406	15	30	84	6
3050-3684	1191	13	36	84	6
3053-3684	1429	15	36	84	6

EXTRA SHELVES

3050-30" WIDE	3050-1030	58	11	28	1
3050-36" WIDE	3050-1036	62	11	34	1
3053-30" WIDE	3053-1030	59	13	28	1
3053-36" WIDE	3053-1036	66	13	34	1

COMBO BOOKCASE



- 1" THICK MATERIAL
- 2MM EDGING
- ADJUSTABLE SHELVES 2 UPPER AND 1 LOWER

3051-3672	1037	13	36	72	3
3054-3672	1383	15	36	72	3
Optional Lock	75				

EXTRA SHELVES

3051-36" WIDE - UPPER	3051-1136	62	12	34	1
3051-36" WIDE - LOWER	3051-1036	62	11	34	1
3054-36" WIDE - UPPER	3054-1136	66	14	34	1
3054-36" WIDE - LOWER	3054-1036	66	13	34	1

Heavy Duty Storage Bookcases

DEEP	WIDE	HIGH	SHLV'S	PRICE	PROD. #
13	36	48	3	1206	3052-3648
				75	Optional Lock



- 1" THICK MATERIAL
- 2MM EDGING
- 3 ADJUSTABLE SHELVES
- FULL-LENGTH HINGED DOORS

13	30	72	4	1301	3052-3072
15	30	72	4	1491	3055-3072
13	36	72	4	1556	3052-3672
15	36	72	4	1797	3055-3672
				75	Optional Lock



- 1" THICK MATERIAL
- 2MM EDGING
- 4 ADJUSTABLE SHELVES
- FULL-LENGTH HINGED DOORS

15	36	84	5	2097	3055-3684
				75	Optional Lock



- 1" THICK MATERIAL
- 2MM EDGING
- 5 ADJUSTABLE SHELVES
- FULL-LENGTH HINGED DOORS

EXTRA SHELVES

3052-30" WIDE	3052-1030	58	11	28	1
3052-36" WIDE	3052-1036	62	11	34	1
3055-30" WIDE	3055-1030	59	13	28	1
3055-36" WIDE	3055-1036	71	13	34	1

Heavy Duty Specialty Bookcases



- 1" THICK MATERIAL
- 2MM EDGING
- 5 ADJUSTABLE SHELVES

PROD. #	PRICE	DEEP	WIDE	HIGH	SHLV'S
3058-3648	900	13	36	48	3
3058-3672	1110	13	36	72	5

EXTRA SHELVES

3058-36" WIDE	3058-1000	111	12	34	1
---------------	-----------	-----	----	----	---

Mobile Stands

OPEN MOBILE STAND



- 1 ADJUSTABLE SHELF
- REAR PRINTER SLOT
- CASTERS (FRONT CASTERS LOCK)
- 2MM EDGING

PROD. #

PRICE

DEEP WIDE HIGH CASTERS

3741-0922	431	18	20	29	4
-----------	-----	----	----	----	---

MOBILE STAND WITH DOOR



- REAR PRINTER SLOT
- CASTERS (FRONT CASTERS LOCK)
- LOWER STORAGE WITH DOOR
- 2MM EDGING

3741-0923	542	18	20	29	4
-----------	-----	----	----	----	---

Tables

Versatility, and flexibility in our staff is what gives us our depth



Conference & Waiting Room Tables

DEEP	WIDE	HIGH	PRICE	PROD. #
------	------	------	-------	---------

36" round		29	753	715-0036
42" round		29	782	715-0042
48" round		29	817	715-0048
60" round		29	996	715-0060



- 1" 2MM EDGED TOP
- SCULPTED CROSS BASE
- ADJUSTABLE FLOOR GLIDES

24	24	20	412	717-2424
----	----	----	-----	----------

30" round		20	494	717-3000
-----------	--	----	-----	----------



- 5/8" THICK RADIUSED TOP

24	48	16	610	717-2448
----	----	----	-----	----------



- 5/8" THICK RADIUSED TOP

Table Tops

DEEP	WIDE	HIGH	PRICE	PROD. #
------	------	------	-------	---------

Round Tops

24" round		5/8	174	3734-0024
30" round		5/8	218	3734-0030
36" round		5/8	283	3734-0036
42" round		5/8	374	3734-0042
48" round		5/8	444	3734-0048
60" round		5/8	539	3734-0060

Square Tops

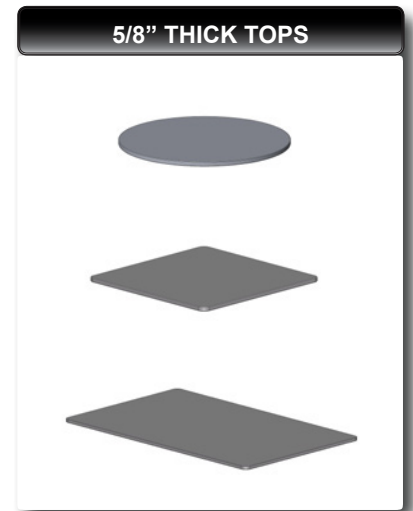
24	24	5/8	174	3734-2424
30	30	5/8	218	3734-3030
36	36	5/8	283	3734-3636
42	42	5/8	374	3734-4242
48	48	5/8	444	3734-4848

Rectangular Tops

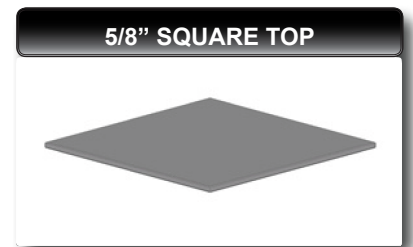
30	48	5/8	219	3734-3048
30	60	5/8	253	3734-3060
30	72	5/8	276	3734-3072
30	96	5/8	317	3734-3096
36	72	5/8	362	3734-3672

Square Tops

24	24	5/8	174	3736-2424
30	30	5/8	218	3736-3030
36	36	5/8	283	3736-3636
42	42	5/8	335	3736-4242
48	48	5/8	404	3736-4848



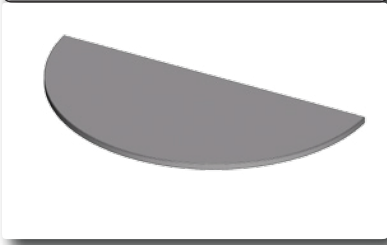
- MATCHING 2MM EDGING
- RADIUSED CORNERS



- 5/8" 2MM EDGED TOP

Table Tops

HALF ROUND TABLE TOP



■ MATCHING 2MM EDGING

PROD.

PRICE

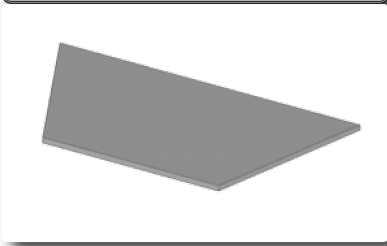
DEEP

WIDE

HIGH

3735H-2448	455	24	48	1
3735H-3060	431	30	60	1
3735H-3672	542	36	72	1

TOP ONLY



■ MATCHING 2MM EDGING

3750TZ-2448	410	24	48	1
3750TZ-3060	534	30	60	1
3750TZ-3672	634	36	72	1
3750TZ-4896	723	48	96	1

Desks

Design flexibility is not just a concept



"We're always looking for new ideas."

Sinoun, Production Design Team

Specifications



- Melamine surface finish on both sides of all panels.
- 1" thick tops
- 1" thick end panels
- All box and file drawers feature smooth-running full suspension tracks
- All end panels feature adjustable leveling glides
- 2MM edging

Straight Desks

DEEP WIDE HIGH LOCK

PRICE

PROD. #

3/4 Modesty

30/36	66	29	1	1480	3311BF-0111
30/36	72	29	1	1541	3312BF-0111

36/42	72	29	1	1574	3309BF-0111
-------	----	----	---	------	-------------

Full Modesty

30/36	66	29	1	1609	3311BF-F0111
30/36	72	29	1	1668	3312BF-F0111

36/42	72	29	1	1703	3309BF-F0111
-------	----	----	---	------	--------------

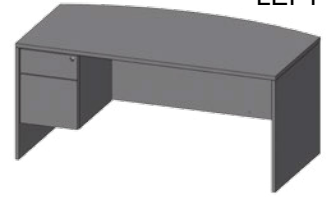
*Add suffix "L" or "R" for left or right

RIGHT



SINGLE PED BOW FRONT

LEFT



- 1 LOCKING BOX AND FILE DRAWER
- AVAILABLE IN 3/4 AND FULL MODESTY PANEL

Full Modesty

30/36	66	29	1	1704	3311BF-F0211
30/36	72	29	1	1764	3312BF-F0211

36/42	72	29	1	1798	3309BF-F0211
-------	----	----	---	------	--------------

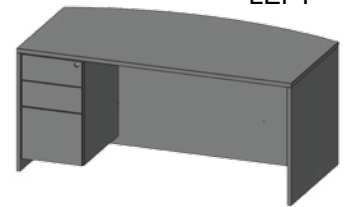
*Add suffix "L" or "R" for left or right

RIGHT



SINGLE PED BOW FRONT

LEFT



- 1 LOCKING BOX/BOX/FILE DRAWER
- FULL MODESTY PANEL

Straight Desks

DEEP	WIDE	HIGH	LOCK	PRICE	PROD. #
20	60	29	1	1030	3317-0111
20	66	29	1	1109	3318-0111
20	72	29	1	1155	3319-0111
24	48	29	1	789	3301-0111
24	60	29	1	985	3313-0111
24	66	29	1	1109	3314-0111
24	72	29	1	1155	3315-0111
30	48	29	1	926	3303-0111
30	60	29	1	1017	3307-0111
30	66	29	1	1161	3311-0111
30	72	29	1	1223	3312-0111
36	72	29	1	1255	3309-0111

*Add suffix "L" or "R" for left or right

20	60	29	1	1240	3317-F0211
20	66	29	1	1366	3318-F0211
20	72	29	1	1409	3319-F0211
24	60	29	1	1240	3313-F0211
24	66	29	1	1366	3314-F0211
24	72	29	1	1409	3315-F0211
30	60	29	1	1240	3307-F0211
30	66	29	1	1384	3311-F0211
30	72	29	1	1448	3312-F0211
36	72	29	1	1480	3309-F0211

*Add suffix "L" or "R" for left or right

20	60	29	1	1111	3317-F0111
20	66	29	1	1236	3318-F0111
20	72	29	1	1284	3319-F0111
24	48	29	1	913	3301-F0111
24	60	29	1	1111	3313-F0111
24	66	29	1	1236	3314-F0111
24	72	29	1	1284	3315-F0111
30	48	29	1	1053	3303-F0111
30	60	29	1	1145	3307-F0111
30	66	29	1	1289	3311-F0111
30	72	29	1	1352	3312-F0111
36	72	29	1	1383	3309-F0111

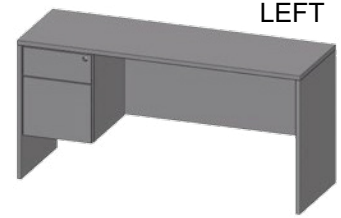
*Add suffix "L" or "R" for left or right

RIGHT



SINGLE PED 3/4 MODESTY

LEFT



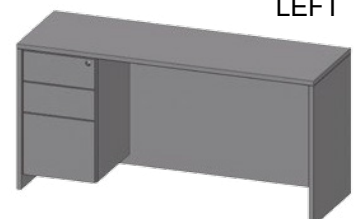
- 1 LOCKING BOX AND FILE DRAWER
- 3/4 MODESTY PANEL

RIGHT



SINGLE PED FULL MODESTY

LEFT



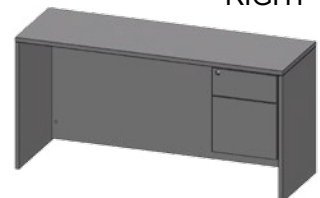
- 1 LOCKING BOX/BOX/FILE DRAWER
- FULL MODESTY PANEL

LEFT



SINGLE PED FULL MODESTY

RIGHT



- 1 LOCKING BOX AND FILE DRAWER
- FULL MODESTY PANEL

Straight Returns



RIGHT



PROD. #	PRICE	DEEP	WIDE	HIGH	LOCK
3324-0111	846	20	40	29	1
3325-0111	874	20	48	29	1
3321-0111	853	24	32	29	1
3326-0111	884	24	36	29	1
3327-0111	925	24	42	29	1
3328-0111	884	24	40	29	1
3329-0111	925	24	48	29	1

- 1 LOCKING BOX AND FILE DRAWER
- CENTRE GROMMET

*Add suffix "L" or "R" for left or right



RIGHT



3324-0211	1096	20	40	29	1
3325-0211	1133	20	48	29	1
3321-0211	1110	24	32	29	1
3326-0211	1137	24	36	29	1
3327-0211	1173	24	42	29	1
3328-0211	1137	24	40	29	1
3329-0211	1173	24	48	29	1

- 1 LOCKING BOX/BOX/FILE DRAWER
- CENTRE GROMMET

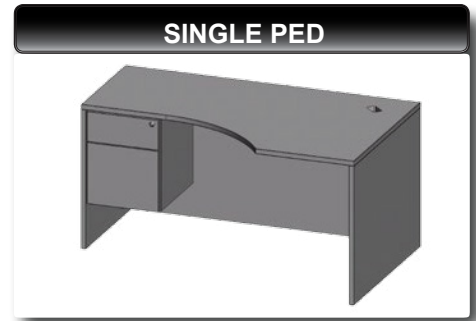
*Add suffix "L" or "R" for left or right

Extended Corner Desks

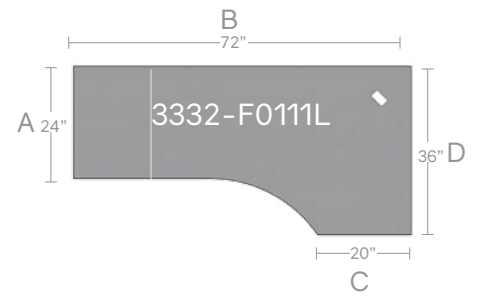
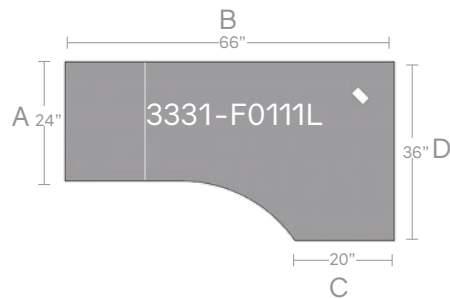
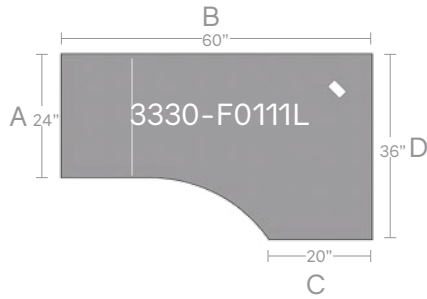
PROD. #	PRICE	A	B	C	D	HIGH	LOCKS
3330-F0111L	1461	24	60	20	36	29	1
3331-F0111L	1503	24	66	20	36	29	1
3332-F0111L	1547	24	72	20	36	29	1
3333-F0111L	1461	24	60	24	36	29	1
3334-F0111L	1503	24	66	24	36	29	1
3335-F0111L	1547	24	72	24	36	29	1

3336-F0111L	1692	24	72	24	42	29	1
-------------	------	----	----	----	----	----	---

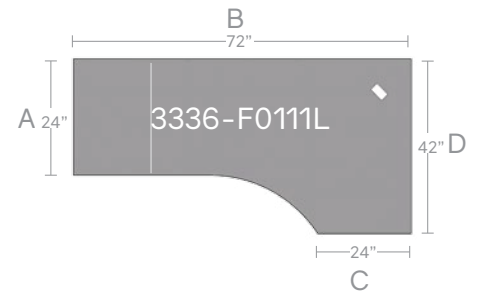
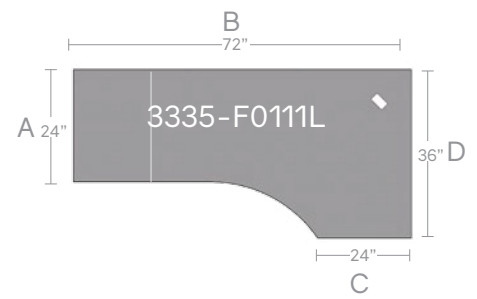
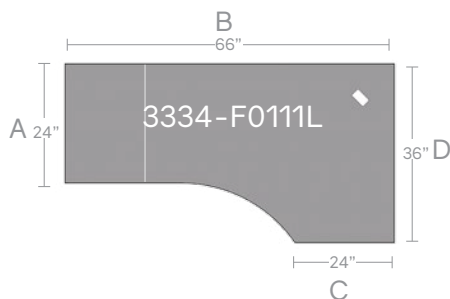
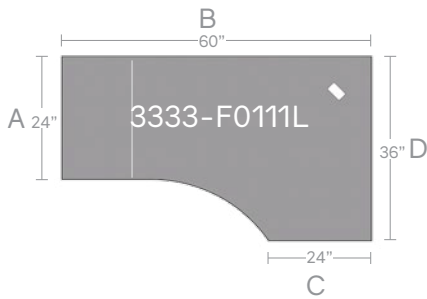
*3/4 modesty available at same price, remove "F" in the code when ordering



- 1 LOCKING BOX AND FILE DRAWER LEFT
- 1 CORD GROMMET
- FULL MODESTY PANEL
- SEE OVERHEAD DRAWINGS FOR SIZE SPECIFICATIONS

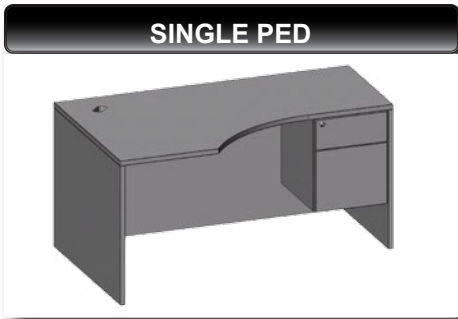


*Optional Returns: 3322, 3323, 3324 & 3325 series returns



*Optional Returns: 3321, 3326, 3327, 3328 & 3329 series returns

Extended Corner Desks



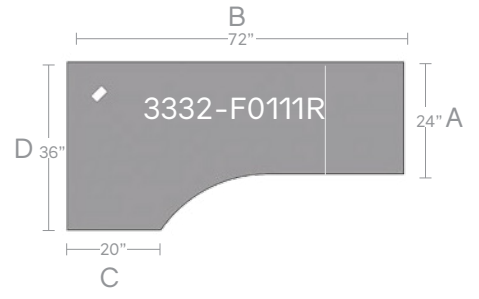
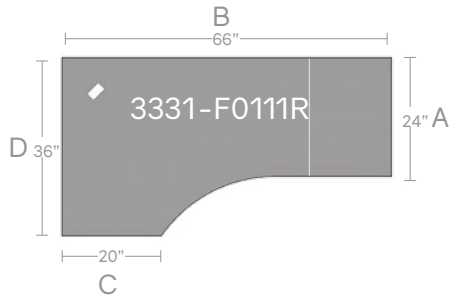
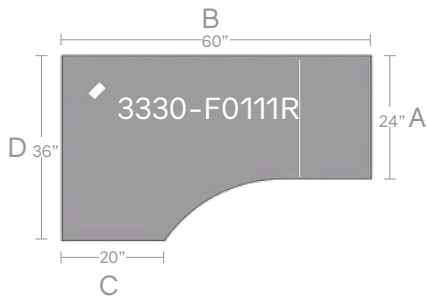
SINGLE PED

A	B	C	D	HIGH	LOCK	PRICE	PROD. #
24	60	20	36	29	1	1461	3330-F0111R
24	66	20	36	29	1	1503	3331-F0111R
24	72	20	36	29	1	1547	3332-F0111R
24	60	24	36	29	1	1461	3333-F0111R
24	66	24	36	29	1	1503	3334-F0111R
24	72	24	36	29	1	1547	3335-F0111R

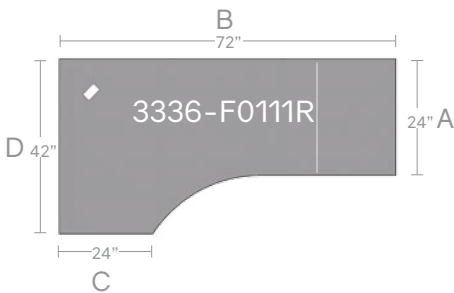
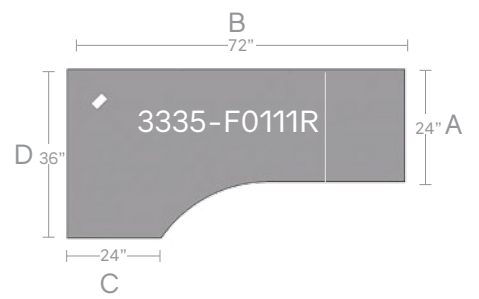
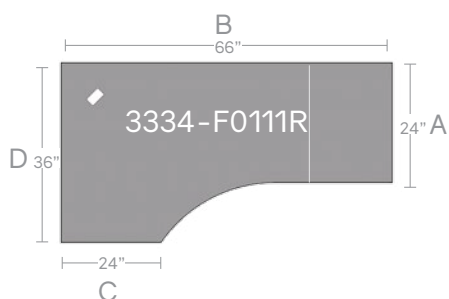
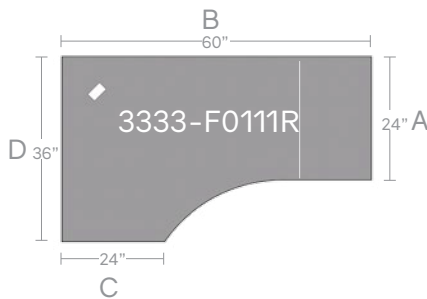
- 1 LOCKING BOX AND FILE DRAWER RIGHT
- 1 CORD GROMMET
- FULL MODESTY PANEL
- SEE OVERHEAD DRAWINGS FOR SIZE SPECIFICATIONS

24	72	24	42	29	1	1692	3336-F0111R
----	----	----	----	----	---	------	-------------

*3/4 modesty available at same price, remove "F" in the code when ordering



*Optional Returns: 3322, 3323, 3324 & 3325 series returns



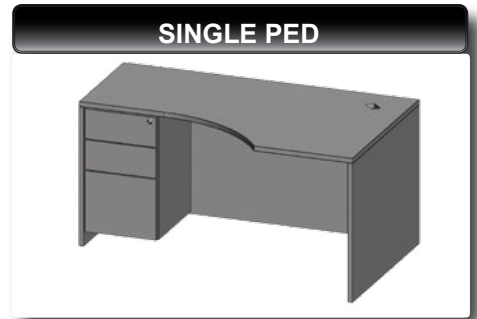
*Optional Returns: 3321, 3326, 3327, 3328 & 3329 series returns

Extended Corner Desks

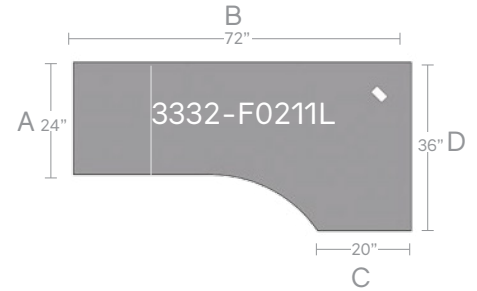
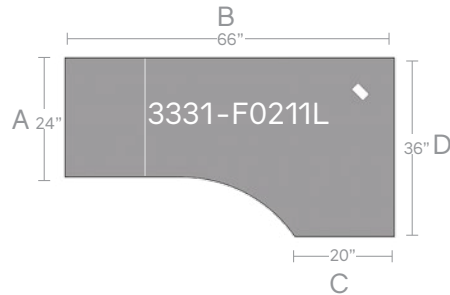
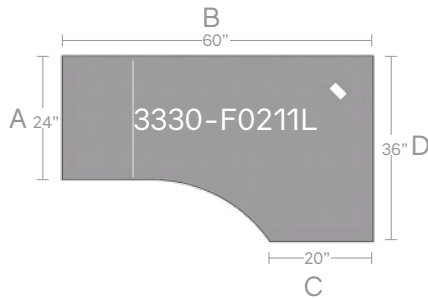
PROD. #	PRICE	A	B	C	D	HIGH	LOCKS
3330-F0211L	1556	24	60	20	36	29	1
3331-F0211L	1599	24	66	20	36	29	1
3332-F0211L	1640	24	72	20	36	29	1
3333-F0211L	1556	24	60	24	36	29	1
3334-F0211L	1599	24	66	24	36	29	1
3335-F0211L	1640	24	72	24	36	29	1

3336-F0211L	1790	24	72	24	42	29	1
-------------	------	----	----	----	----	----	---

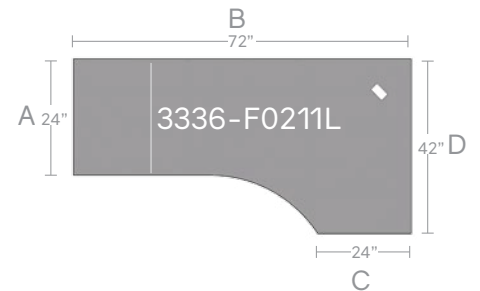
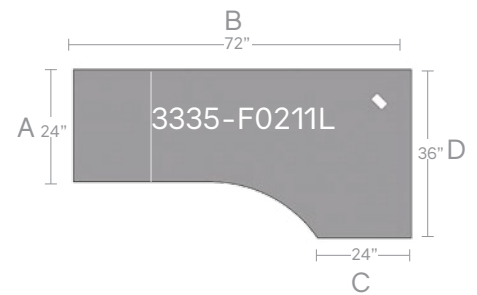
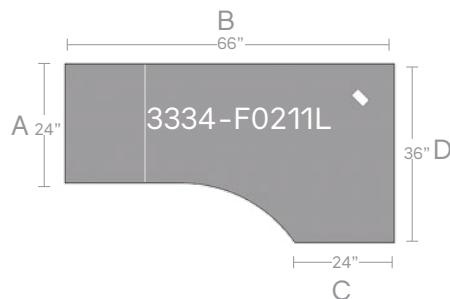
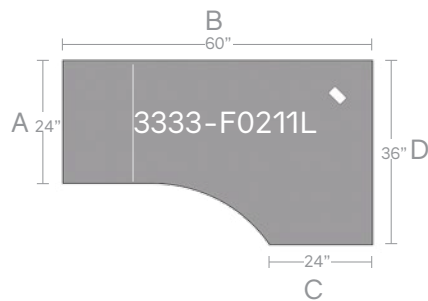
*3/4 modesty available at same price, remove "F" in the code when ordering



- 1 LOCKING BOX /BOX/ FILE DRAWER LEFT
- 1 CORD GROMMET
- FULL MODESTY PANEL
- SEE OVERHEAD DRAWINGS FOR SIZE SPECIFICATIONS

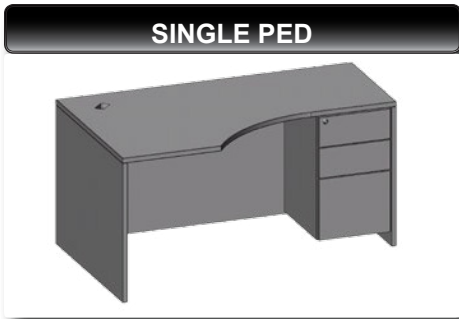


*Optional Returns: 3322, 3323, 3324 & 3325 series returns



*Optional Returns: 3321, 3326, 3327, 3328 & 3329 series returns

Extended Corner Desks



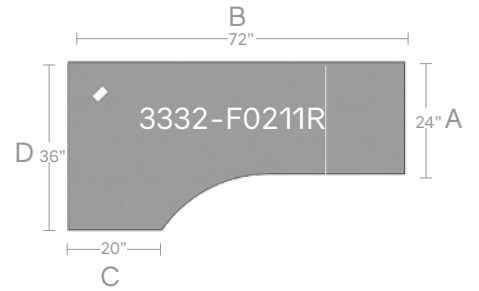
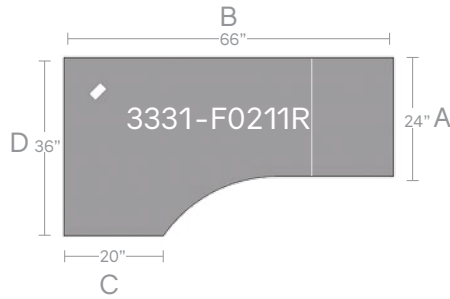
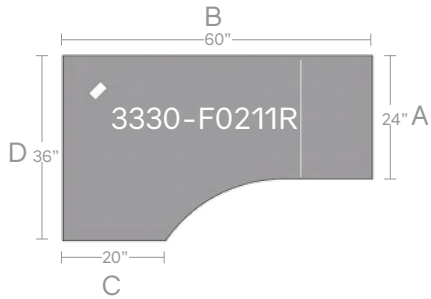
SINGLE PED

A	B	C	D	HIGH	LOCKS	PRICE	PROD. #
24	60	20	36	29	1	1556	3330-F0211R
24	66	20	36	29	1	1599	3331-F0211R
24	72	20	36	29	1	1640	3332-F0211R
24	60	24	36	29	1	1556	3333-F0211R
24	66	24	36	29	1	1599	3334-F0211R
24	72	24	36	29	1	1640	3335-F0211R

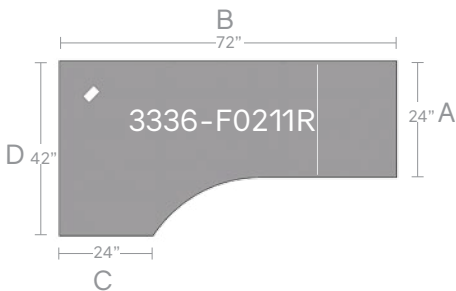
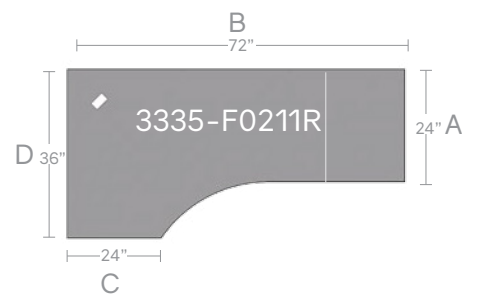
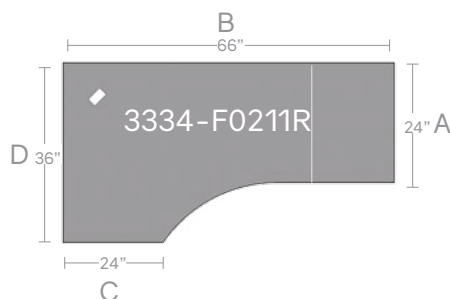
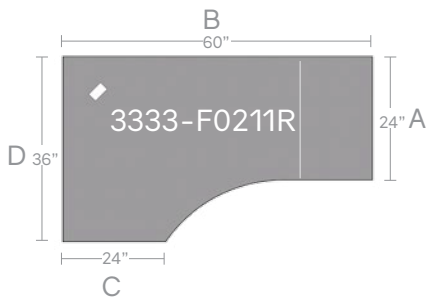
- 1 LOCKING BOX /BOX/ FILE DRAWER RIGHT
- 1 CORD GROMMET
- FULL MODESTY PANEL
- SEE OVERHEAD DRAWINGS FOR SIZE SPECIFICATIONS

24	72	24	42	29	1	1790	3336-F0211R
----	----	----	----	----	---	------	-------------

*3/4 modesty available at same price, remove "F" in the code when ordering



*Optional Returns: 3322,3323, 3324 & 3325 series returns



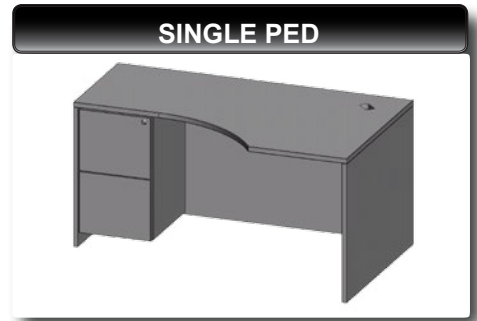
*Optional Returns: 3321, 3326, 3327, 3328 & 3329 series returns

Extended Corner Desks

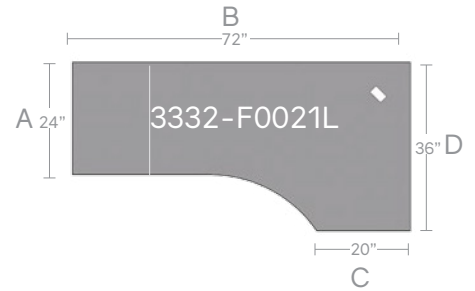
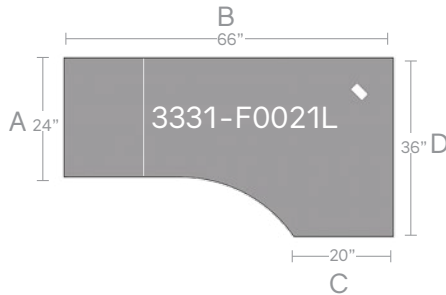
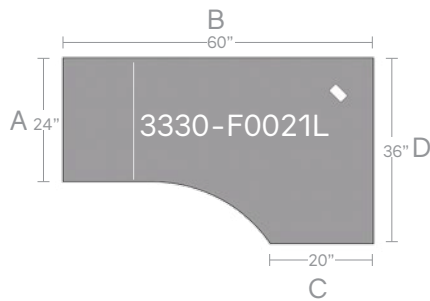
PROD. #	PRICE	A	B	C	D	HIGH	LOCKS
3330-F0021L	1556	24	60	20	36	29	1
3331-F0021L	1599	24	66	20	36	29	1
3332-F0021L	1640	24	72	20	36	29	1
3333-F0021L	1556	24	60	24	36	29	1
3334-F0021L	1599	24	66	24	36	29	1
3335-F0021L	1640	24	72	24	36	29	1

3336-F0021L	1790	24	72	24	42	29	1
-------------	------	----	----	----	----	----	---

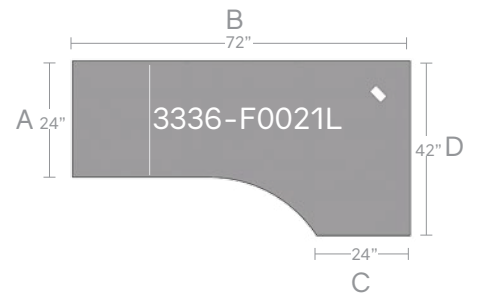
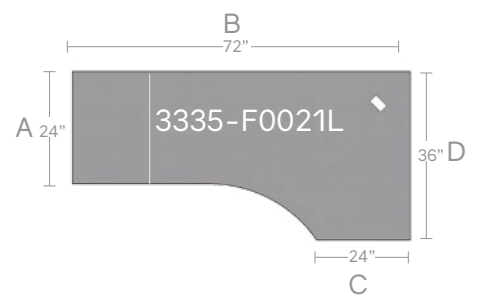
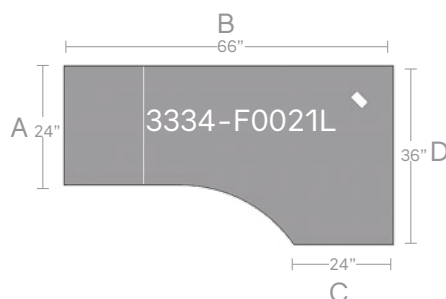
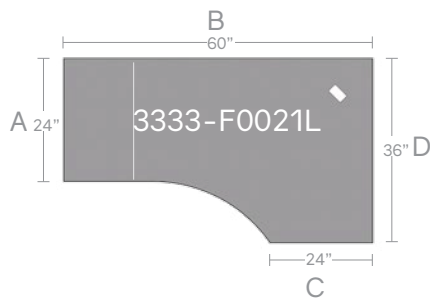
*3/4 modesty available at same price, remove "F" in the code when ordering



- 1 LOCKING FILE/ FILE DRAWER LEFT
- 1 CORD GROMMET
- FULL MODESTY PANEL
- SEE OVERHEAD DRAWINGS FOR SIZE SPECIFICATIONS



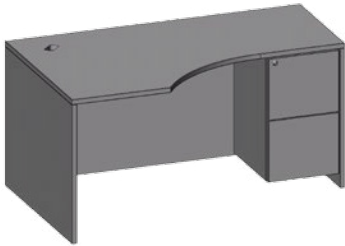
*Optional Returns: 3322,3323, 3324 & 3325 series returns



*Optional Returns: 3321, 3326, 3327, 3328 & 3329 series returns

Extended Corner Desks

SINGLE PED

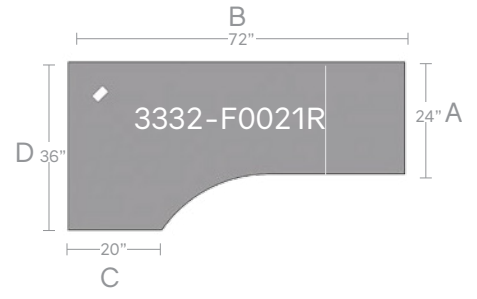
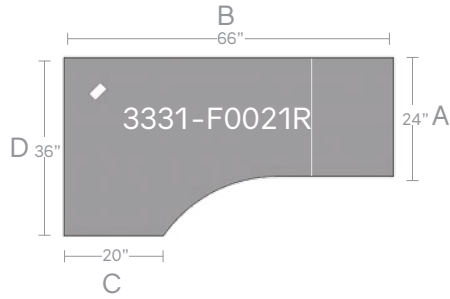
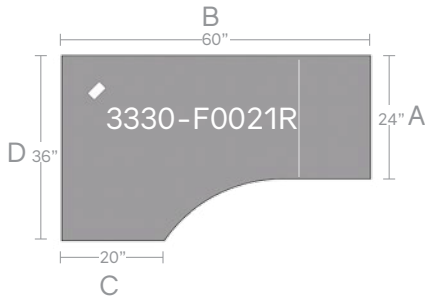


- 1 LOCKING FILE/ FILE DRAWER RIGHT
- 1 CORD GROMMET
- FULL MODESTY PANEL
- SEE OVERHEAD DRAWINGS FOR SIZE SPECIFICATIONS

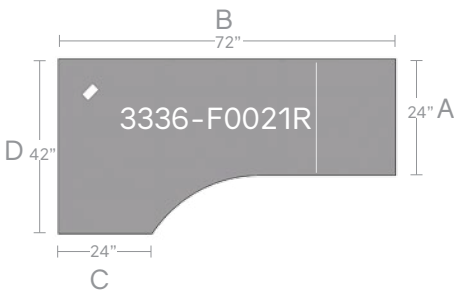
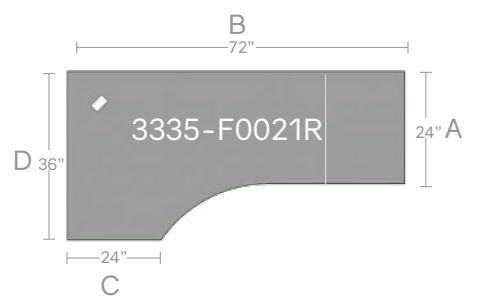
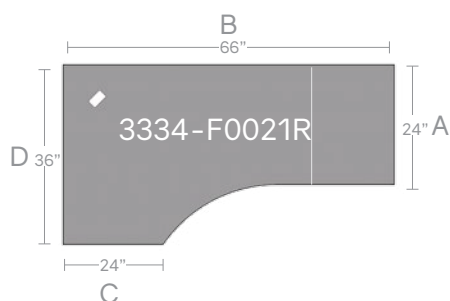
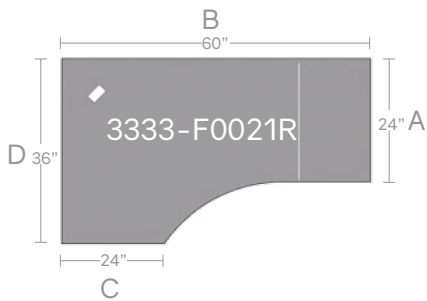
A	B	C	D	HIGH	LOCKS	PRICE	PROD. #
24	60	20	36	29	1	1556	3330-F0021R
24	66	20	36	29	1	1599	3331-F0021R
24	72	20	36	29	1	1640	3332-F0021R
24	60	24	36	29	1	1556	3333-F0021R
24	66	24	36	29	1	1599	3334-F0021R
24	72	24	36	29	1	1640	3335-F0021R

24	72	24	42	29	1	1790	3336-F0021R
----	----	----	----	----	---	------	-------------

*3/4 modesty available at same price, remove "F" in the code when ordering



*Optional Returns: 3322, 3323, 3324 & 3325 series returns

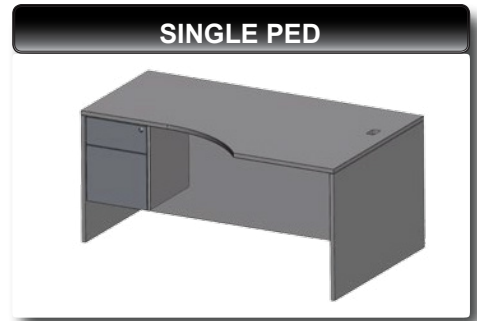


*Optional Returns: 3321, 3326, 3327, 3328 & 3329 series returns

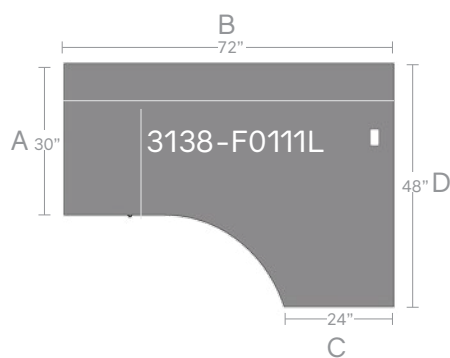
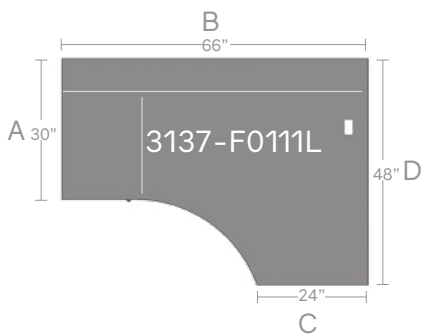
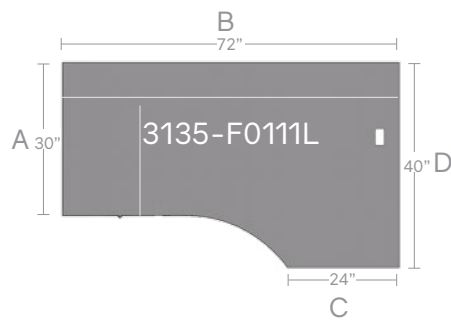
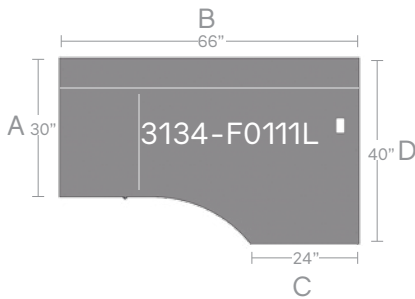
Extended Corner Desks

PROD. #	PRICE	A	B	C	D	HIGH	LOCKS
3134-F0111L	1503	30	66	24	40	29	1
3135-F0111L	1572	30	72	24	40	29	1
3137-F0111L	1572	30	66	24	48	29	1
3138-F0111L	1637	30	72	24	48	29	1

*3/4 modesty available at same price, remove "F" in the code when ordering

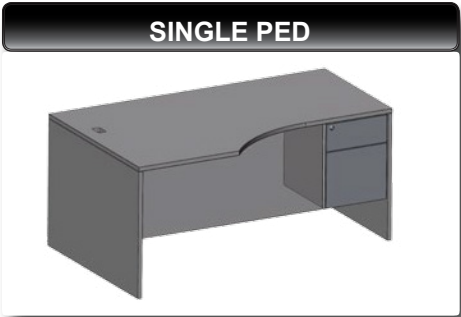


- FULL INSET MODESTY PANEL
- 1 LOCKING BOX AND FILE DRAWER LEFT
- 1 CORD GROMMET
- SEE OVERHEAD DRAWINGS FOR SIZE SPECIFICATIONS



*Optional Returns: 3321, 3326, 3327, 3328 & 3329 series returns

Extended Corner With Inset Modesty

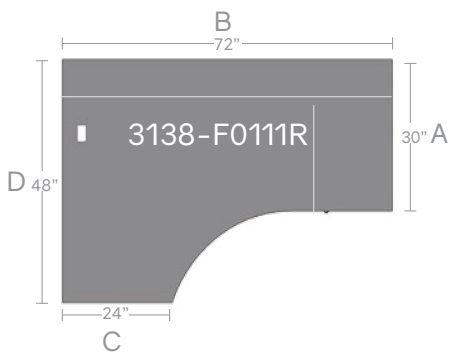
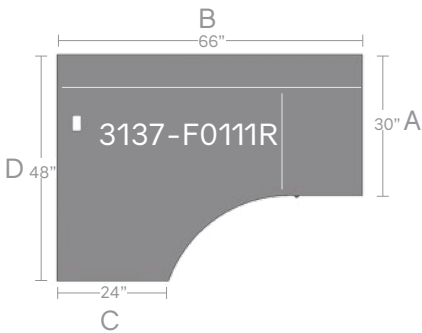
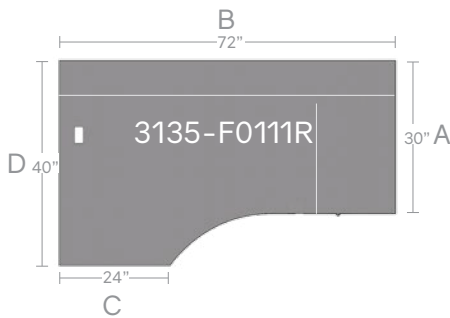
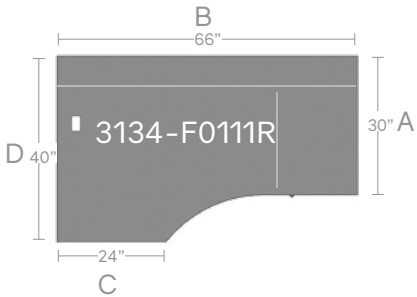


SINGLE PED

A	B	C	D	HIGH	LOCKS	PRICE	PROD. #
30	66	24	40	29	1	1503	3134-F0111R
30	72	24	40	29	1	1572	3135-F0111R
30	66	24	48	29	1	1572	3137-F0111R
30	72	24	48	29	1	1637	3138-F0111R

* 3/4 modesty available at same price, remove "F" in the code when ordering

- FULL INSET MODESTY PANEL
- 1 LOCKING BOX AND FILE DRAWER RIGHT
- 1 CORD GROMMET
- SEE OVERHEAD DRAWINGS FOR SIZE SPECIFICATIONS



*Optional Returns: 3321, 3326, 3327, 3328 & 3329 series returns

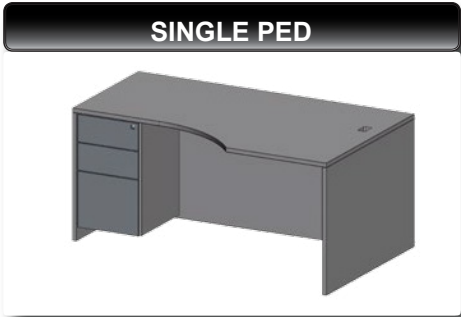
Extended Corner With Inset Modesty

PROD. #	PRICE	A	B	C	D	HIGH	LOCKS
---------	-------	---	---	---	---	------	-------

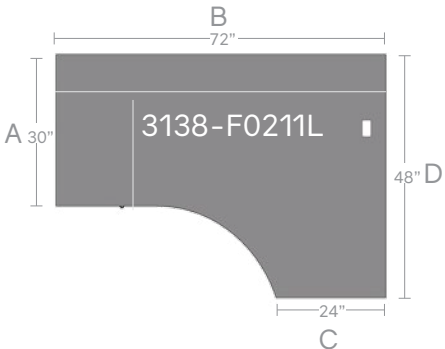
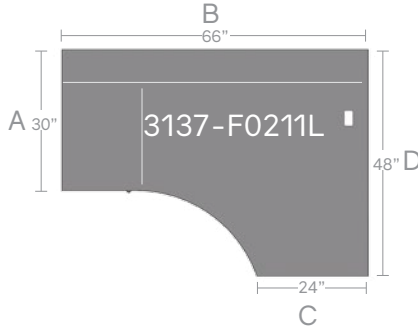
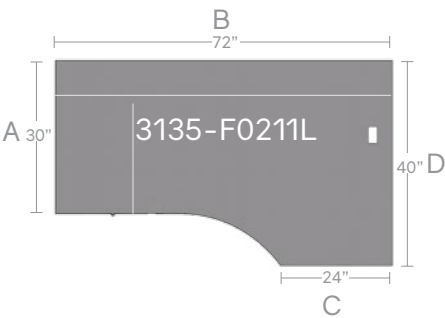
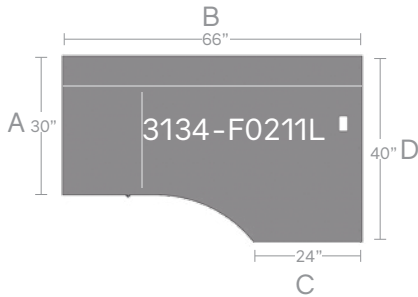
3134-F0211L	1599	30	66	24	40	29	1
3135-F0211L	1667	30	72	24	40	29	1

3137-F0211L	1667	30	66	24	48	29	1
3138-F0211L	1734	30	72	24	48	29	1

*3/4 modesty available at same price, remove "F" in the code when ordering

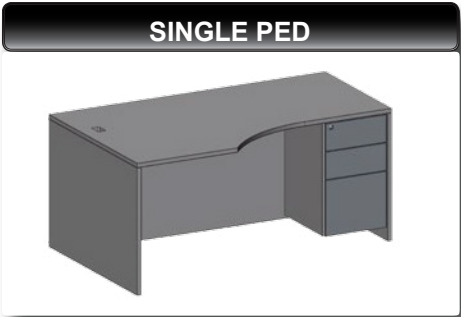


- FULL INSET MODESTY PANEL
- 1 LOCKING BOX / BOX / FILE DRAWER LEFT
- 1 CORD GROMMET
- SEE OVERHEAD DRAWINGS FOR SIZE SPECIFICATIONS



*Optional Returns: 3321, 3326, 3327, 3328 & 3329 series returns

Extended Corner With Inset Modesty

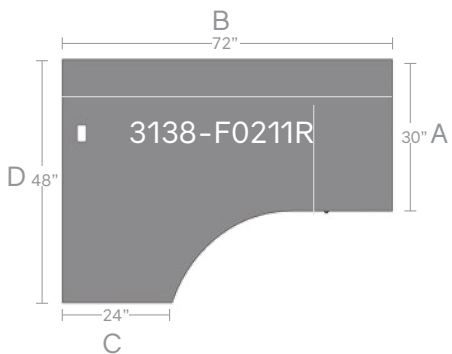
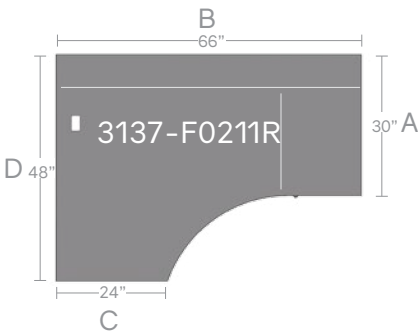
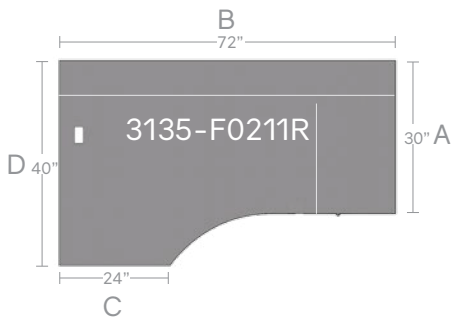
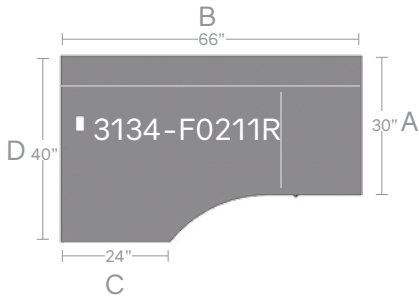


SINGLE PED

A	B	C	D	HIGH	LOCKS	PRICE	PROD. #
30	66	24	40	29	1	1599	3134-F0211R
30	72	24	40	29	1	1667	3135-F0211R
30	66	24	48	29	1	1667	3137-F0211R
30	72	24	48	29	1	1734	3138-F0211R

* 3/4 modesty available at same price, remove "F" in the code when ordering

- FULL INSET MODESTY PANEL
- 1 LOCKING BOX /BOX/ FILE DRAWER RIGHT
- 1 CORD GROMMET
- SEE OVERHEAD DRAWINGS FOR SIZE SPECIFICATIONS



*Optional Returns: 3321, 3326, 3327, 3328 & 3329 series returns

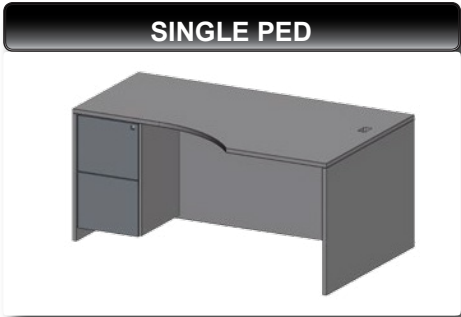
Extended Corner With Inset Modesty

PROD. #	PRICE	A	B	C	D	HIGH	LOCKS
---------	-------	---	---	---	---	------	-------

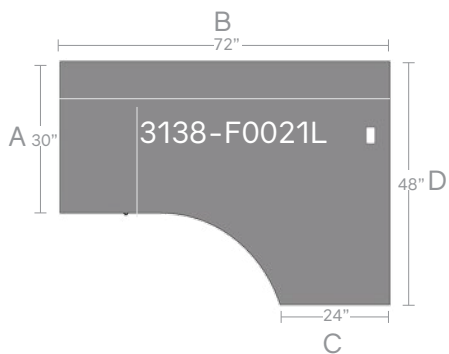
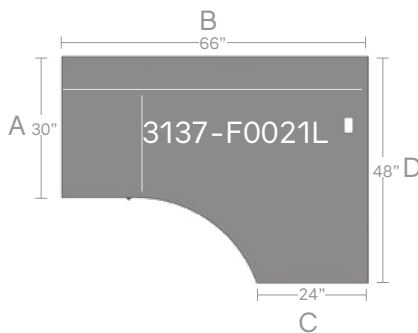
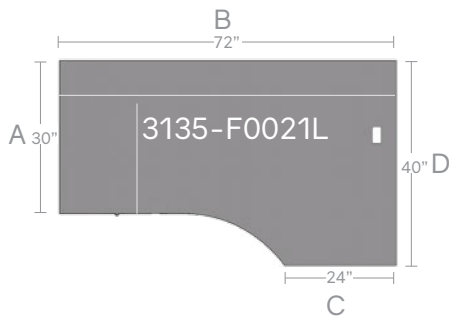
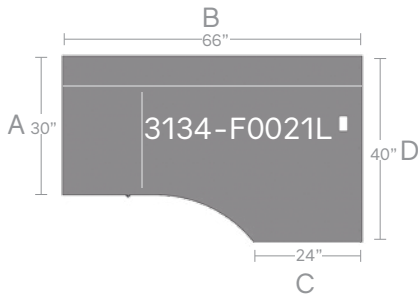
3134-F0021L	1599	30	66	24	40	29	1
3135-F0021L	1667	30	72	24	40	29	1

3137-F0021L	1667	30	66	24	48	29	1
3138-F0021L	1734	30	72	24	48	29	1

*3/4 modesty available at same price, remove "F" in the code when ordering

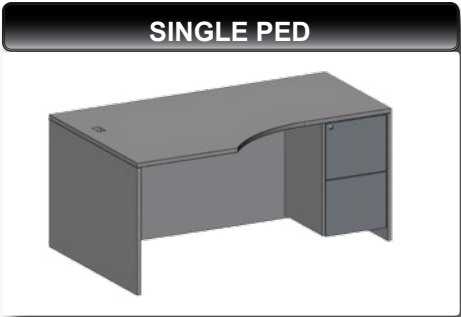


- FULL INSET MODESTY PANEL
- 1 LOCKING FILE/ FILE DRAWER LEFT
- 1 CORD GROMMET
- SEE OVERHEAD DRAWINGS FOR SIZE SPECIFICATIONS



*Optional Returns: 3321, 3326, 3327, 3328 & 3329 series returns

Extended Corner With Inset Modesty

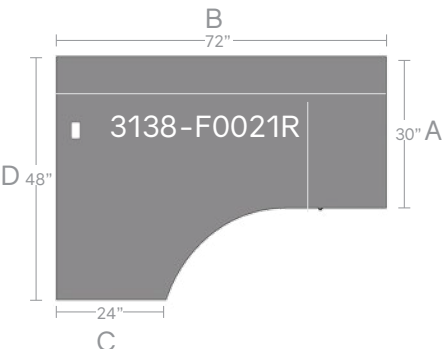
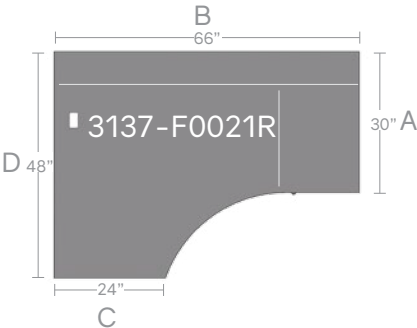
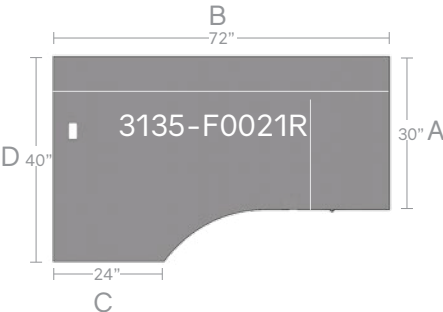
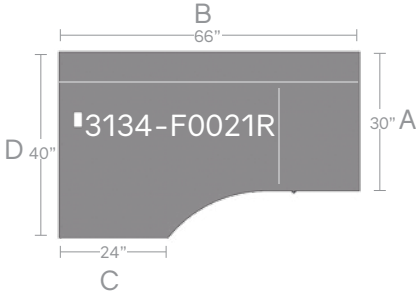


SINGLE PED

A	B	C	D	HIGH	LOCKS	PRICE	PROD. #
30	66	24	40	29	1	1599	3134-F0021R
30	72	24	40	29	1	1667	3135-F0021R
30	66	24	48	29	1	1667	3137-F0021R
30	72	24	48	29	1	1734	3138-F0021R

*3/4 modesty available at same price, remove "F" in the code when ordering

- FULL INSET MODESTY PANEL
- 1 LOCKING FILE/ FILE DRAWER RIGHT
- 1 CORD GROMMET
- SEE OVERHEAD DRAWINGS FOR SIZE SPECIFICATIONS

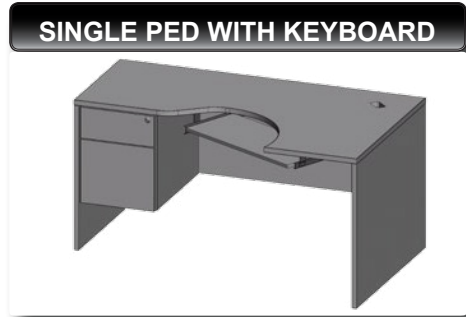


*Optional Returns: 3321, 3326, 3327, 3328 & 3329 series returns

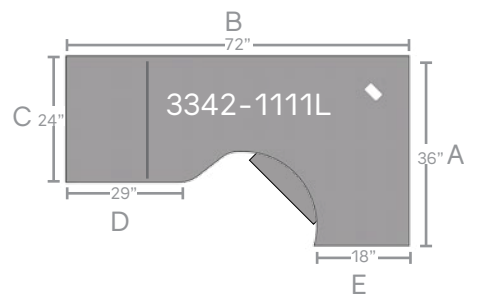
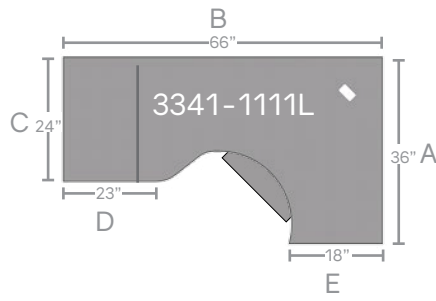
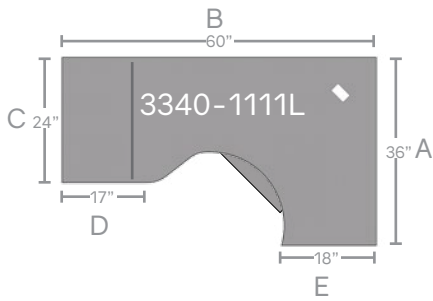
Extended Corner Desks Notched

PROD. #	PRICE	A	B	C	D	E	HIGH LOCKS
---------	-------	---	---	---	---	---	------------

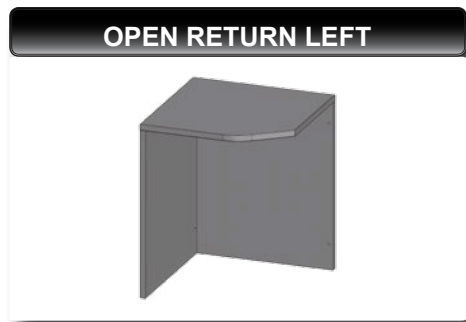
3340-1111L	856	36	60	24	17	18	29	1
3341-1111L	1001	36	66	24	23	18	29	1
3342-1111L	1125	36	72	24	29	18	29	1



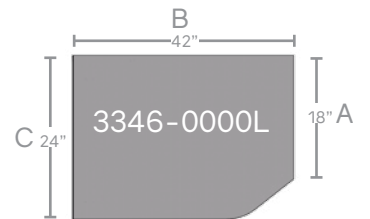
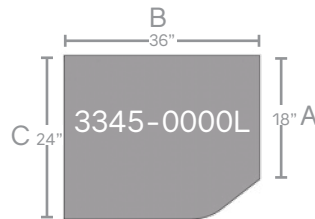
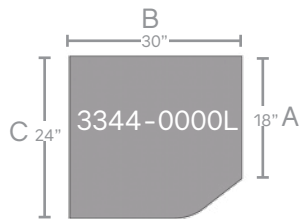
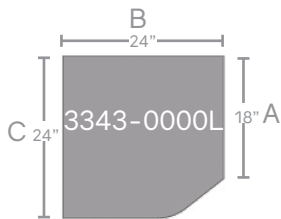
- 3/4 MODESTY PANEL
- 1 LOCKING BOX AND FILE DRAWER LEFT
- KEYBOARD AND 1 CORD GROMMET
- SEE OVERHEAD DRAWINGS FOR SIZE SPECIFICATIONS



3343-0000L	464	18	24	24		29	0
3344-0000L	521	18	30	24		29	0
3345-0000L	599	18	36	24		29	0
3346-0000L	653	18	42	24		29	0

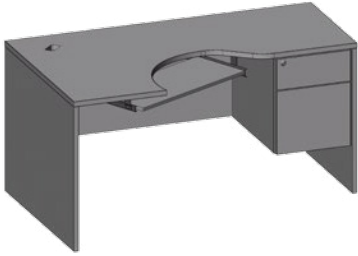


- SEE OVERHEAD DRAWINGS FOR SIZE SPECIFICATIONS



Extended Corner Desks Notched

SINGLE PED WITH KEYBOARD



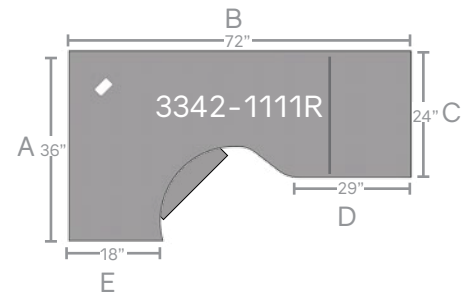
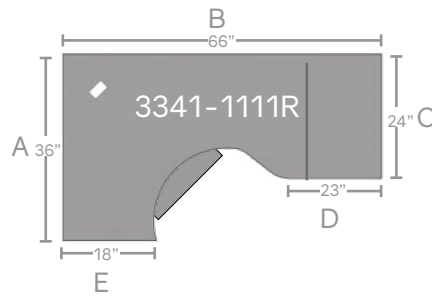
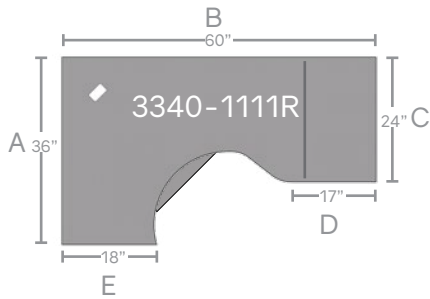
- 3/4 MODESTY PANEL
- 1 LOCKING BOX AND FILE DRAWER RIGHT
- KEYBOARD AND 1 CORD GROMMET
- SEE OVERHEAD DRAWINGS FOR SIZE SPECIFICATIONS

A B C D E HIGH LOCKS

PRICE

PROD.

36	60	24	17	18	29	1	856	3340-1111R
36	66	24	23	18	29	1	1001	3341-1111R
36	72	24	29	18	29	1	1125	3341-1111R

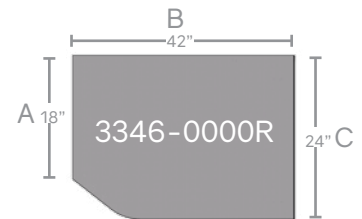
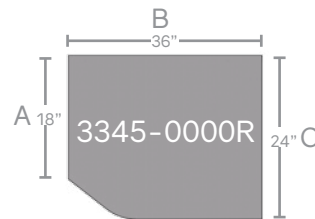
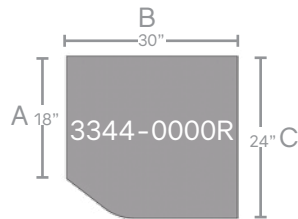
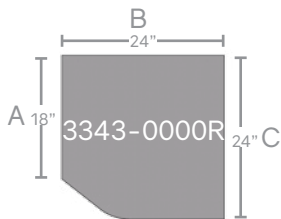


OPEN RETURN RIGHT



- SEE OVERHEAD DRAWINGS FOR SIZE SPECIFICATIONS

18	24	24	29	0	464	3343-0000R
18	30	24	29	0	521	3344-0000R
18	36	24	29	0	599	3345-0000R
18	42	24	29	0	653	3346-0000R

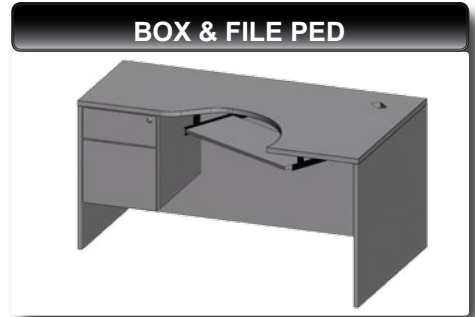


Extended Corner Desks Notched

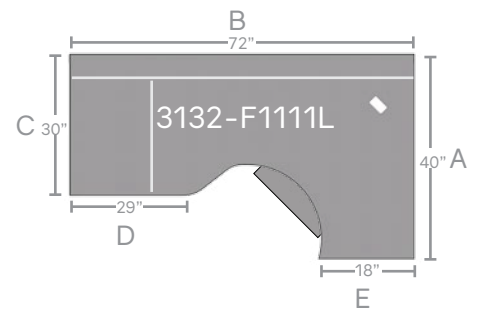
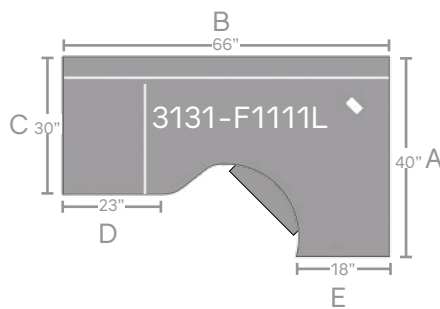
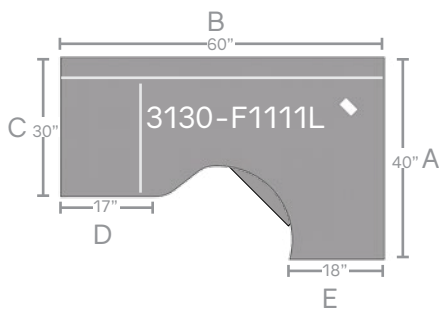
PROD. #	PRICE	A	B	C	D	E	HIGH LOCKS
---------	-------	---	---	---	---	---	------------

3130-F1111L	1050	30	60	40	17	18	29	1
3131-F1111L	1191	30	66	40	23	18	29	1
3132-F1111L	1341	30	72	40	29	18	29	1

*3/4 modesty available at same price, remove "F" in the code when ordering



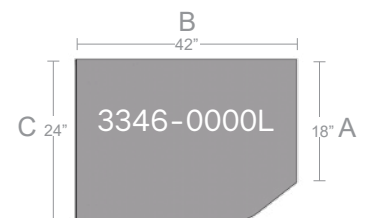
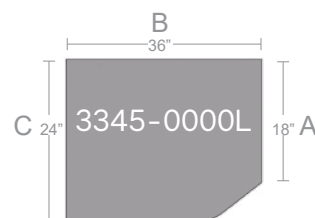
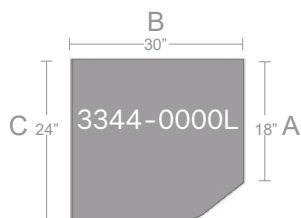
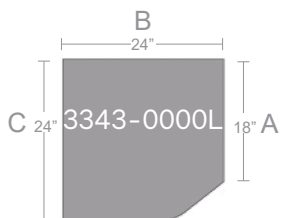
- FULL INSET MODESTY PANEL
- 1 LOCKING BOX AND FILE DRAWER LEFT
- KEYBOARD AND 1 CORD GROMMET
- SEE OVERHEAD DRAWINGS FOR SIZE SPECIFICATIONS



3343-0000L	464	18	24	24	29	0
3344-0000L	521	18	30	24	29	0
3345-0000L	599	18	36	24	29	0
3346-0000L	653	18	42	24	29	0

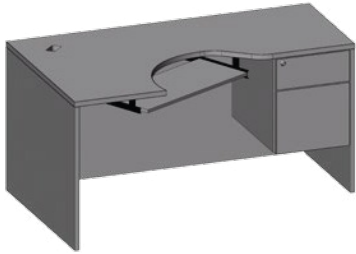


- SEE OVERHEAD DRAWINGS FOR SIZE SPECIFICATIONS



Extended Corner Desks Notched

BOX & FILE PED

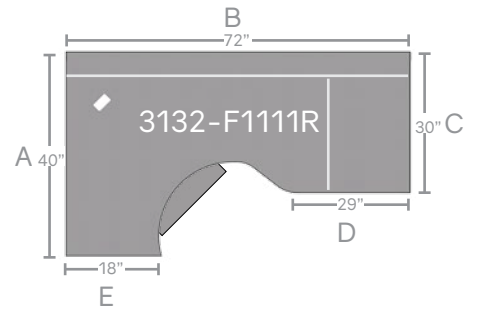
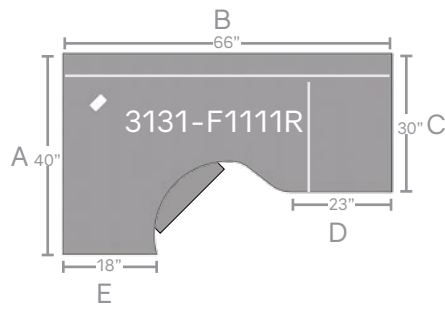
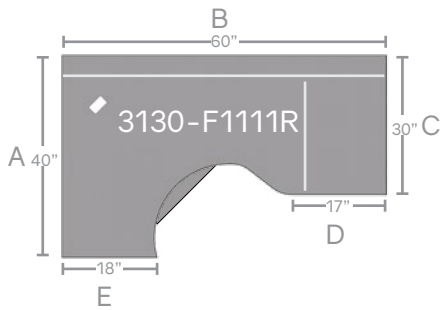


A	B	C	D	E	HIGH	LOCKS	PRICE	PROD. #
---	---	---	---	---	------	-------	-------	---------

30	60	40	17	18	29	1	1050	3130-F1111R
30	66	40	23	18	29	1	1191	3131-F1111R
30	72	40	29	18	29	1	1341	3132-F1111R

*3/4 modesty available at same price, remove "F" in the code when ordering

- FULL INSET MODESTY PANEL
- 1 LOCKING BOX AND FILE DRAWER RIGHT
- KEYBOARD AND 1 CORD GROMMET
- SEE OVERHEAD DRAWINGS FOR SIZE SPECIFICATIONS

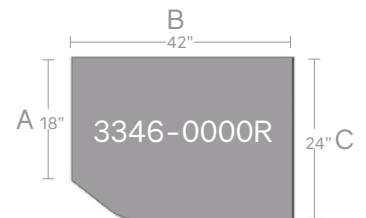
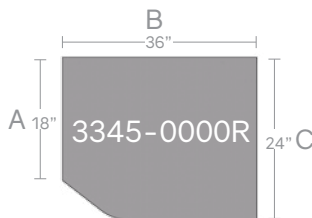
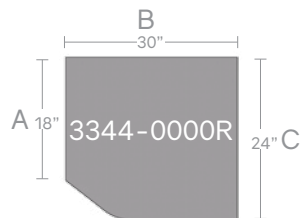
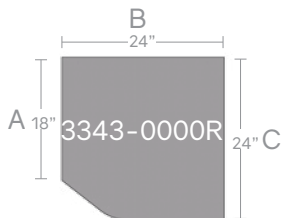


OPEN RETURN RIGHT



18	24	24		29	0	464	3343-0000R
18	30	24		29	0	521	3344-0000R
18	36	24		29	0	599	3345-0000R
18	42	24		29	0	653	3346-0000R

- SEE OVERHEAD DRAWINGS FOR SIZE SPECIFICATIONS



Service Counters

Shape. Style. Size.... Designs to meet customer expectations

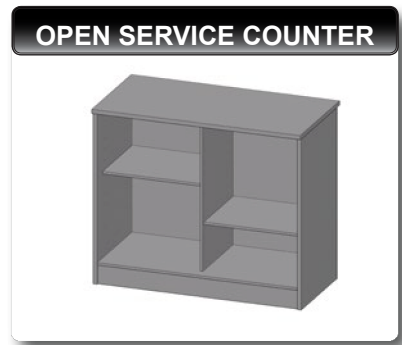


"We make your orders take shape on schedule."

AI, Production Team

Standard Counters

DEEP	WIDE	HIGH	SHLV'S	PRICE	PROD. #
24	24	40	1	825	810-2424
24	36	40	1	1056	810-2436
24	48	40	2	1245	810-2448
24	60	40	2	1529	810-2460
24	72	40	2	1782	810-2472
30	24	40	1	1030	810-3024
30	36	40	1	1316	810-3036
30	48	40	2	1599	810-3048
30	60	40	2	1911	810-3060
30	72	40	2	2229	810-3072



- 1" THICK TOP
- ADJUSTABLE SHELVES
- ALL COUNTERS 48" OR WIDER
FEATURE A CENTRE DIVIDER
- 2MM EDGING

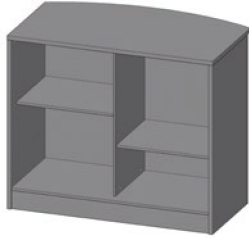
24	48	40	2	1503	812-2448
24	60	40	2	1798	812-2460
24	72	40	2	2097	812-2472
30	48	40	2	1822	812-3048
30	60	40	2	2179	812-3060
30	72	40	2	2540	812-3072



- 1" THICK TOP
- ADJUSTABLE SHELVES
- DOUBLE SLIDING DOORS WITH
ADJUSTABLE PLASTIC ROLLERS
- ALL COUNTERS 48" OR WIDER
FEATURE A CENTRE DIVIDER
- 2MM EDGING

Bow Front Counters

OPEN BOW FRONT



Top View

- 1" THICK TOP
- ADJUSTABLE SHELVES
- TOP CURVED EDGE FEATURES 2MM EDGING
- ALL COUNTERS 48" OR WIDER FEATURE A CENTRE DIVIDER
- 2MM EDGING

PROD.

PRICE

DEEP

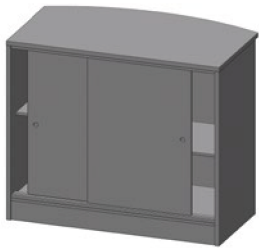
WIDE

HIGH

SHLV'S

815-2448	1728	24/28	48	40	2
815-2460	2018	24/28	60	40	2
815-2472	2319	24/28	72	40	2
815-3048	2047	30/34	48	40	2
815-3060	2400	30/34	60	40	2
815-3072	2763	30/34	72	40	2

BOW FRONT WITH DOORS



Top View

- 1" THICK TOP
- ADJUSTABLE SHELVES
- TOP CURVED EDGE FEATURES 2MM EDGING
- DOUBLE SLIDING DOORS WITH ADJUSTABLE PLASTIC ROLLERS
- ALL COUNTERS 48" OR WIDER FEATURE A CENTRE DIVIDER

817-2448	1829	24/28	48	40	2
817-2460	2141	24/28	60	40	2
817-2472	2462	24/28	72	40	2
817-3048	2177	30/34	48	40	2
817-3060	2554	30/34	60	40	2
817-3072	2940	30/34	72	40	2

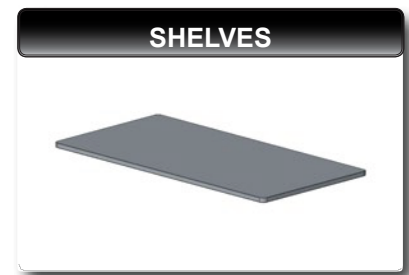
Optional lock for sliding doors

819-0002

75

Options

DEEP	WIDE	HIGH	LOCK	PRICE	PROD. #
18	22	5/8		77	819-2424
18	34	5/8		112	819-2436
18	21	5/8		77	819-2448
18	28	5/8		99	819-2460
18	34	5/8		112	819-2472
24	22	5/8		99	819-3024
24	34	5/8		148	819-3036
24	21	5/8		99	819-3048
24	28	5/8		116	819-3060
24	34	5/8		148	819-3072



- OPTIONAL 5/8" SHELF
- SHELVES HAVE 3MM EDGING
- EACH SHELF INCLUDES 4 BRASS PINS FOR INSTALLATION

Discontinued Items

3021-1222	3067-0036	3735-0060	3309BF-F0221	3313-F0421	3322-0000R
3021-1226	3066-3634	3735-2424	3311BF-F0421	3314-F0421	3323-0000R
3021-1228	3066-0036	3735-3030	3312BF-F0421	3315-F0421	3324-0000R
3062-3002	3069-3661	3735-3636	3309BF-F0421	3307-F0421	3325-0000R
3062-3602	3069-3666	3735-4242	3317-0000	3311-F0421	3321-0000R
3061-3002	3068-3666	3735-4848	3318-0000	3312-F0421	3326-0000R
3061-3602	3069-0036	3735-2448	3319-0000	3309-F0421	3327-0000R
3064-3002	3068-0036	3735-3048	3301-0000	3317-4221	3328-0000R
3064-3602	MM663624	3735-3060	3313-0000	3318-4221	3329-0000R
3062-3002-0	MM663624C	3735-3072	3314-0000	3319-4221	3324-5000L
3062-3602-0	MM660036	3735-3660	3315-0000	3317-0411	3321-5000L
3061-3002-0	WR3672	3735-3672	3303-0000	3318-0411	3326-5000L
3061-3602-0	WR3672-24	3735-3696	3307-0000	3319-0411	3327-5000L
3062-3642	WRS3672	3737-2424	3311-0000	3313-0411	3328-5000L
3061-3642	WRS3672-24	3737-3030	3312-0000	3307-0411	3329-5000L
3062-3642-0	WRS0036	3737-3636	3309-0000	3312-0411	3324-5000R
3062-3003	WRS0036-24	3737-4242	3317-F0000	3309-0411	3321-5000R
3062-3603	3398-4336	3737-4848	3318-F0000	3317-4411	3326-5000R
3061-3003	3399-4336	3737-2042	3319-F0000	3319-F0062L	3327-5000R
3061-3603	3398-0036	3737-2060	3301-F0000	3315-F0062L	3328-5000R
3062-3004	3399-0036	3737-2066	3313-F0000	3319-F0062R	3329-5000R
3062-3604	3083-1113	3737-2072	3314-F0000	3315-F0062R	3324-0110L
3061-3004	3084-1211	3737-2448	3315-F0000	3319-F0064L	3325-0110L
3061-3604	3084-1021	3737-2460	3303-F0000	3315-F0064L	3321-0110L
061-0001	3085-1213	3737-2472	3307-F0000	3319-F0064R	3326-0110L
061-0003	3085-1023	3737-3048	3311-F0000	3315-F0064R	3327-0110L
061-0004	3093-1300	3737-3060	3312-F0000	3319-F6562	3328-0110L
3065-3029	3093-1111	3737-3072	3309-F0000	3315-F6562	3329-0110L
3065-3629	3094-1400	3753TZ-2448	3313-3111	3319-F6265	3324-0110R
3067-3629	3094-1211	3753TZ-3060	3314-3111	3315-F6265	3325-0110R
3065-3048	3094-1021	3753TZ-3672	3315-3111	3319-F6262	3321-0110R
3067-3048	3097-1300	3753TZ-4896	3307-3111	3315-F6262	3326-0110R
3065-3648	3097-1111	3311BF-0000	3311-3111	3319-F6565	3327-0110R
3067-3648	3098-1400	3312BF-0000	3312-3111	3315-F6565	3328-0110R
3065-3072	3098-1211	3309BF-0000	3317-0221	3322-0000L	3329-0110R
3067-3072	3098-1021	3311BF-F0000	3318-0221	3323-0000L	3324-0210L
3065-3672	725-3642	3312BF-F0000	3319-0221	3324-0000L	3325-0210L
3067-3672	725-4860	3309BF-F0000	3313-0221	3325-0000L	3321-0210L
3065-3684	3735-0024	3311BF-0221	3315-0221	3321-0000L	3326-0210L
3067-3684	3735-0030	3312BF-0221	3307-0221	3326-0000L	3327-0210L
3065-0030	3735-0036	3309BF-0221	3311-0221	3327-0000L	3328-0210L
3065-0036	3735-0042	3311BF-F0221	3312-0221	3328-0000L	3329-0210L
3067-0030	3735-0048	3312BF-F0221	3309-0221	3329-0000L	3324-0210R

Discontinued Items

3325-0210R	3325-0210R	3332-F0000RC	3359-3054L	3374-3072	3383-403060L
3321-0210R	3321-0210R	3333-F0000RC	3359-3060L	3374-3672	3383-403066L
3326-0210R	3326-0210R	3334-F0000RC	3359-2430R	3377-2448	3383-403072L
3327-0210R	3327-0210R	3335-F0000RC	3359-2442R	3377-2460	3383-483060L
3328-0210R	3328-0210R	3336-F0000RC	3359-3024R	3377-2466	3383-483066L
3329-0210R	3329-0210R	3134BF-F0111L	3359-3030R	3377-2472	3383-483072L
3324-0300L	3324-0300L	3135BF-F0111L	3359-3036R	3377-3048	3383-403060R
3325-0300L	3325-0300L	3134BF-F0111R	3359-3048R	3377-3060	3383-403066R
3321-0300L	3321-0300L	3135BF-F0111R	3359-3054R	3377-3066	3383-403072R
3326-0300L	3326-0300L	3134-F0000L	3359-3060R	3377-3072	3383-483060R
3327-0300L	3327-0300L	3135-F0000L	3358-4242CTS	3377-3672	3383-483066R
3328-0300L	3328-0300L	3134BF-F0000L	3359-1524LTS	3378-3060	3383-483072R
3329-0300L	3329-0300L	3135BF-F0000L	3359-1530LTS	3378-3066	3384-403060L
3324-0300R	3324-0300R	3137-F0000L	3359-1536LTS	3378-3072	3384-403066L
3325-0300R	3325-0300R	3138-F0000L	3359-1542LTS	3378-3672	3384-403072L
3321-0300R	3321-0300R	3134-F0000R	3359-1548LTS	3378-F3060	3384-483060L
3326-0300R	3326-0300R	3135-F0000R	3359-1554LTS	3378-F3066	3384-483066L
3327-0300R	3327-0300R	3134BF-F0000R	3359-1560LTS	3378-F3072	3384-483072L
3328-0300R	3328-0300R	3135BF-F0000R	3359-1572LTS	3378-F3672	3384-403060R
3329-0300R	3329-0300R	3137-F0000R	3364-F0000L	3381-363066L	3384-403066R
3330-F0000L	3330-F0000L	3138-F0000R	3365-F0000L	3381-363072L	3384-403072R
3331-F0000L	3331-F0000L	3134BF-F0211L	3369-F0000L	3381-423072L	3384-483060R
3332-F0000L	3332-F0000L	3135BF-F0211L	3364-F0000R	3381-423078L	3384-483066R
3333-F0000L	3333-F0000L	3134BF-F0211R	3365-F0000R	3381-363066R	3384-483072R
3334-F0000L	3334-F0000L	3135BF-F0211R	3369-F0000R	3381-363072R	3384-F403060L
3335-F0000L	3335-F0000L	3134BF-F0021L	3364-F0110L	3381-423072R	3384-F403066L
3336-F0000L	3336-F0000L	3135BF-F0021L	3365-F0110L	3381-423078R	3384-F403072L
3330-F0000R	3330-F0000R	3134BF-F0021R	3369-F0110L	3382-363066L	3384-F483060L
3331-F0000R	3331-F0000R	3135BF-F0021R	3364-F0110R	3382-363072L	3384-F483066L
3332-F0000R	3332-F0000R	3351-F0000	3365-F0110R	3382-423072L	3384-F483072L
3333-F0000R	3333-F0000R	3352-F0000	3369-F0110R	3382-423078L	3384-F403060R
3334-F0000R	3334-F0000R	3350-F0111	3371-F2040	3382-363066R	3384-F403066R
3335-F0000R	3335-F0000R	3351-F0111	3371-F2048	3382-363072R	3384-F403072R
3336-F0000R	3336-F0000R	3352-F0111	3371-F2432	3382-423072R	3384-F483060R
3330-F0000LC	3330-F0000LC	3351-F0411	3371-F2440	3382-423078R	3384-F483066R
3331-F0000LC	3331-F0000LC	3352-F0411	3371-F2448	3382-F363066L	3384-F483072R
3332-F0000LC	3332-F0000LC	3358-4242	3374-2448	3382-F363072L	3391-1348
3333-F0000LC	3333-F0000LC	3359-2430L	3374-2460	3382-F423072L	3391-1360
3334-F0000LC	3334-F0000LC	3359-2442L	3374-2466	3382-F423078L	3391-1366
3335-F0000LC	3335-F0000LC	3359-3024L	3374-2472	3382-F363066R	3391-1372
3336-F0000LC	3336-F0000LC	3359-3030L	3374-3048	3382-F363072R	3392-1348
3330-F0000RC	3330-F0000RC	3359-3036L	3374-3060	3382-F423072R	3392-1360
3331-F0000RC	3331-F0000RC	3359-3048L	3374-3066	3382-F423078R	3392-1366

Discontinued Items

3392-1372	3397-3778	831-1048	3070-1010
3392BF-1348	3393WM-1730	831-1236	3730-3048
3392BF-1360	3393WM-1736	831-1248	3730-3060
3392BF-1366	3393WM-1748	831-1536	3730-3072
3392BF-1372	3393WM-1754	831-1548	
3392BF-1378	3393WM-1760	831-1560	
3393-3730	3394WM-1748	831-1572	
3393-3736	3394WM-1754	831-1596	
3393-3742	3394WM-1760	831-1836	
3393-3748	3395WM-1730	831-1848	
3393-3754	3395WM-1736	831-1860	
3393-3760	3395WM-1742	831-1872	
3393-3766	3395WM-1748	831-1896	
3393-3770	3395WM-1754	831-2436	
3393-3772	3395WM-1760	831-2448	
3393-3778	3396WM-2130	831-2460	
3394-3760	3396WM-2136	831-2472	
3394-3766	3396WM-2142	831-2496	
3394-3770	3396WM-2148	830-1036	
3394-3772	3396WM-2154	830-1048	
3394-3778	3396WM-2160	830-1236	
3395-3736	3397WM-1730	830-1248	
3395-3742	3397WM-1736	830-1536	
3395-3748	3397WM-1742	830-1548	
3395-3754	3397WM-1748	830-1560	
3395-3760	3397WM-1754	830-1572	
3395-3766	3397WM-1760	830-1596	
3395-3770	3390-0248	830-1836	
3395-3772	3390-0254	830-1848	
3395-3778	3390-0260	830-1860	
3396-4260	3390-0266	830-1872	
3396-4266	3390-0270	830-1896	
3396-4272	3390-0272	830-2436	
3396-4278	3390-0278	830-2448	
3397-3730	3093-1300	830-2460	
3397-3736	3093-1111	830-2472	
3397-3742	3097-1300	830-2496	
3397-3748	3097-1111	729-6207	
3397-3754	3019-1222	729-6208	
3397-3760	3019-1228	729-6209	
3397-3766	026-1000	729-6280	
3397-3770	026-1020	729-6290	
3397-3772	831-1036	025-0100	

March 2026

Pricing



Catalogue

All of Belair's products are made of commercial grade melamine with finish on both sides of all panels. Tops and ends are one inch thick with 2mm PVC edgebanding that can be colour matched to any of our 20 colours. Units include adjustable leveling glides. The materials used in our manufacturing process are durable and affordable and have been the leading standard in the office furniture industry for many years.